

EPSON

SC-F2200 Series

User's Guide

CMP0417-00 EN

Copyrights and Trademarks

Copyrights and Trademarks

No part of this publication may be reproduced, stored in a retrieval system, or transmitted in any form or by any means, electronic, mechanical, photocopying, recording, or otherwise, without the prior written permission of Seiko Epson Corporation. The information contained herein is designed only for use with this Epson printer. Epson is not responsible for any use of this information as applied to other printers.

Neither Seiko Epson Corporation nor its affiliates shall be liable to the purchaser of this product or third parties for damages, losses, costs, or expenses incurred by the purchaser or third parties as a result of accident, misuse, or abuse of this product or unauthorized modifications, repairs, or alterations to this product, or (excluding the U.S.) failure to strictly comply with Seiko Epson Corporation's operating and maintenance instructions.

Seiko Epson Corporation shall not be liable for any damages or problems arising from the use of any options or any consumable products other than those designated as Original Epson Products or Epson Approved Products by Seiko Epson Corporation.

Seiko Epson Corporation shall not be held liable for any damage resulting from electromagnetic interference that occurs from the use of any interface cables other than those designated as Epson Approved Products by Seiko Epson Corporation.

Microsoft® and Windows® are registered trademarks of Microsoft Corporation.

Mac and macOS are registered trademarks of Apple Inc.

Intel® is a registered trademark of Intel Corporation.

Adobe and Reader are either registered trademarks or trademarks of Adobe Systems Incorporated in the United States and/or other countries.

YouTube® and the YouTube logo are registered trademarks or trademarks of YouTube, LLC.

QR Code is a registered trademark of DENSO WAVE INCORPORATED in Japan and other countries.

Firefox is a trademark of the Mozilla Foundation in the U.S. and other countries.

Chrome™ is a trademark of Google Inc.

General Notice: Other product names used herein are for identification purposes only and may be trademarks of their respective owners. Epson disclaims any and all rights in those marks.

© 2023 Seiko Epson Corporation.

Copyrights and Trademarks

Note for North American and Latin American Users

IMPORTANT: Before using this product, make sure you read the safety instructions in the online *Notices*.

Contents

Copyrights and Trademarks

Note for North American and Latin American Users 3

Notes on Manuals

Meaning of Symbols. 6
 Screenshots. 6
 Illustrations. 6
 Manual Organization. 6
 Viewing Video Manuals. 7
 Viewing PDF Manuals. 7

Introduction

Printer Parts. 9
 Front Section. 9
 Rear Section. 13
 Interior. 15
 Control Panel. 17
 Understanding and Operating the Display. 18
 Notes on using the control panel. 18
 Screen View. 18
 Operating procedure. 23
 Notes on Usage and Storage. 25
 Installation space. 25
 Notes for using the printer. 25
 Notes for when not using the printer. 26
 Notes on Handling Ink Supply Units/
 Cleaning Ink Supply Units. 26
 Notes on Handling White Ink. 27
 Notes on Handling T-shirts (Media). 28
 Notes on Handling Pre-treatment Liquid. 28
 Introducing the Supplied Software. 29
 Supplied software. 29
 Built-in Software in the Printer. 30
 Using Garment Creator 2. 31
 Starting Procedure. 31
 Closing Procedure. 31
 Using Epson Edge Dashboard. 31
 Starting Procedure. 31
 Registering the Printer. 31
 Closing Procedure. 32
 Using EPSON Software Updater. 32
 Checking software update availability. 32
 Receiving update notifications. 33
 Using Web Config. 33

Function Summary. 33
 Starting Procedure. 34
 Closing Procedure. 34
 Uninstalling Software. 34
 Windows. 34
 Mac. 35
 Notes on the Administrator Password. 35
 Checking the Initial Password. 35
 Changing the Password. 35

Basic Printing

Overview. 36
 Preparation. 38
 Under Normal Usage. 38
 Items for Use in Pre-treatment. 39
 Before Printing. 39
 Pre-treatment. 40
 Cautions when operating. 41
 Agitating the polyester pre-treatment liquid. 41
 Opening the pre-treatment liquid. 42
 Filtering the cotton pre-treatment liquid
 (only when coagulation occurs). 44
 Diluting the pre-treatment liquid. 46
 Applying the pre-treatment liquid. 47
 Fixing the pre-treatment liquid. 48
 Creating and Sending Jobs. 50
 Workflow for Creating and Sending Jobs. 50
 Sending and printing jobs. 51
 Notes on Receiving Jobs. 51
 Preparing the Platen. 51
 Attaching/Removing a Grip Pad. 52
 Switching from Polo to Zipper (only when
 using the medium grooved platen). 54
 Replacing platens. 55
 Determining the Height of the Platen. 56
 Checking Spacer Combinations and Platen
 Height (Scale). 56
 Attaching and Removing Spacers. 59
 Changing the Height of the Platen. 60
 Load the T-shirt (media). 61
 Loading on a Grip Pad Covered Platen. 61
 Loading on a Platen without a Grip Pad. 64
 Loading on Sleeve Platens. 66
 Loading on Medium Grooved Platens. 67
 Starting and Canceling Printing. 70




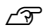
Contents

Starting.	70	Status menu.	112
Canceling.	71		
Fixing the Ink.	71	Problem Solver	
Precautions when Fixing the Ink.	71	What to Do When a Message Is Displayed.	113
Fix conditions.	71	When a Maintenance Request/Printer Error Occurs.	115
Printing from a USB Memory.	73	Troubleshooting.	116
USB memory requirements.	73	You cannot print (because the printer does not work).	116
Printing Procedures.	73	The printer operates, but does not print.	117
Deleting.	74	Print results are not what you expected.	118
		Others.	125
Maintenance			
When to Perform Various Maintenance Operations.	75	Appendix	
Cleaning Locations and Cleaning Timing.	75	Options and Consumable Products.	129
Locations of Consumables and Replacement Timing.	76	Ink Supply Unit.	129
Other maintenance.	77	Maintenance Parts.	130
Preparation.	78	Others.	131
Cautions when operating.	78	Notes When Moving or Transporting the Printer.	134
Cleaning.	80	Preparing to Move or Transport.	135
Using ink cleaner.	80	Transporting the Printer.	137
Cleaning the Sensor Cover.	80	Setting up the Printer After Moving.	138
Clean around the print head and the edges of the metal.	81	Printable area.	139
Cleaning the Suction Cap.	82	Table of Supported Label Scales and Media Thickness.	141
Cleaning the Encoder Scale.	83	When L, M, or S Size Grip Pad Platen is Installed.	141
Cleaning the Platen Without a Grip Pad.	85	When L, M, or S Size Platen Without Grip Pad is Installed and when XZ Size Platen is Installed.	142
Replacing Consumables.	85	When the Sleeve Platen or the Medium Grooved Platen is Installed.	143
Replacing Ink Supply Units.	85	System Requirements.	144
Disposing of Waste Ink.	87	Epson Edge Dashboard.	144
Replacing the Head Cleaning Set.	89	Garment Creator 2.	145
Other Maintenance.	90	Garment Creator Easy Print System (Windows Only).	145
Shaking the Ink Supply Units Periodically.	90	Web Config.	146
Checking for clogged nozzles.	91	Specifications Table.	147
Head Cleaning.	93		
Changing the Printer Mode	94		
Pre-Storage Maintenance for Long-Term Non-Use.	96		
Disposal of Used Consumables.	97		
Disposal.	97		
Control Panel Menu			
Menu List.	98		
Details of the Menu.	103		
General Settings menu.	103		
Media Settings menu.	108		
Maintenance menu.	110		
Supply Status menu.	112		

Notes on Manuals

Meaning of Symbols

This manual uses the following symbols to indicate dangerous operations or handling procedures to prevent harm to users or other people or damage to property. Make sure you understand these warnings before reading the content of this manual.

 Warning:	Warnings must be followed to avoid serious bodily injury.
 Caution:	Cautions must be followed to avoid bodily injury.
 Important:	Important must be followed to avoid damage to this product.
Note:	Notes contain useful or additional information on the operation of this product.
	Indicates related content.

Screenshots

- The screenshots used in this manual may differ slightly from the actual screens.
- Unless otherwise stated, the Windows screenshots used in this manual are from Windows 10.

Illustrations

The illustrations may differ slightly from the model you are using. Please be aware of this when using the manual.

Manual Organization

The manuals for the product are organized as shown below.

You can view the PDF manuals using Adobe Reader or Preview (Mac OS X).

Setup Guide (booklet)	This manual provides information on how to setup the printer after unpacking it from the box. Make sure you read this manual to perform operations safely.
General Information (this manual)	This manual provides specifications and contact details for the product.
Safety Instructions	This section provides information that must be followed to prevent harm to users or other people or damage to property. Make sure you read this section to perform operations safely and correctly. For some regions, this content is included in the Setup Guide.
Epson Support (PDF)	Provides information about Epson Support for each region.
Online Manual	
User's Guide (PDF)	This manual explains how to use the printer.
Epson Video Manuals	These videos show you how to load media and perform maintenance.
Network Guide (PDF)	This manual provides information on using the printer over a network.
Epson Support (PDF)	Provides information about Epson Support for each region.

Notes on Manuals

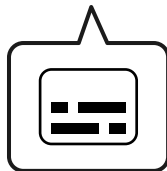
Viewing Video Manuals

The video manuals have been uploaded to YouTube.

Click **Epson Video Manuals** from the top page of Online Manual, or click the following blue text to view the manuals.

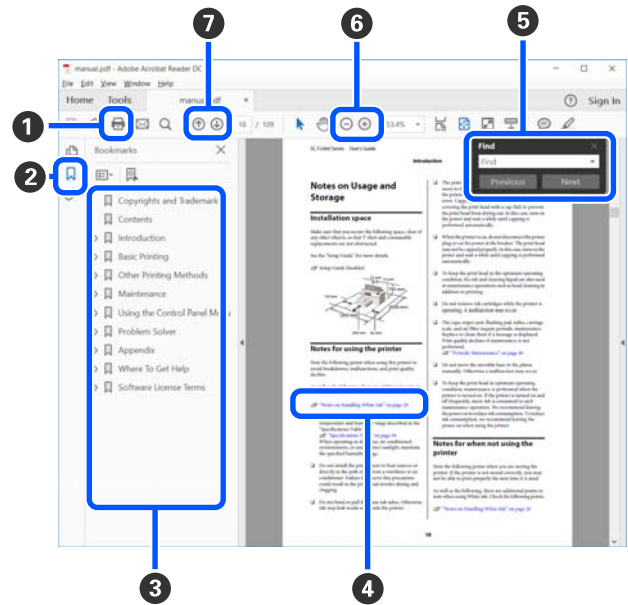
[Epson Video Manuals](#)

If the subtitles are not displayed when you play the video, click the subtitles icon shown in the image below.



Viewing PDF Manuals

This section uses the Adobe Acrobat Reader as an example to explain the basic operations for viewing the PDF in Adobe Acrobat Reader DC.



- 1 Click to print the PDF manual.
- 2 Each time it is clicked the bookmarks are hidden or shown.
- 3 Click the title to open the relevant page.
Click [+] to open the titles lower in the hierarchy.
- 4 If the reference is in blue text, click the blue text to open the relevant page.

To return to the original page, do the following.

For Windows

While pressing the Alt key, press the ← key.

For Mac

While pressing the command key, press the ← key.

Notes on Manuals

- 5 You can input and search for keywords, such as the names of items you want to confirm.

For Windows

Right click on a page in the PDF manual and select **Find** in the menu that is displayed to open the search toolbar.

For Mac

Select **Find** in the **Edit** menu to open the search toolbar.

- 6 To enlarge the text in the display that is too small to see well, click \oplus . Click \ominus to reduce the size. To specify a part of an illustration or screenshot to enlarge, do the following.

For Windows

Right click on the page in the PDF manual and select **Marquee Zoom** in the menu that is displayed. The pointer changes to a magnifying glass, use it to specify the range of the place you want to enlarge.

For Mac

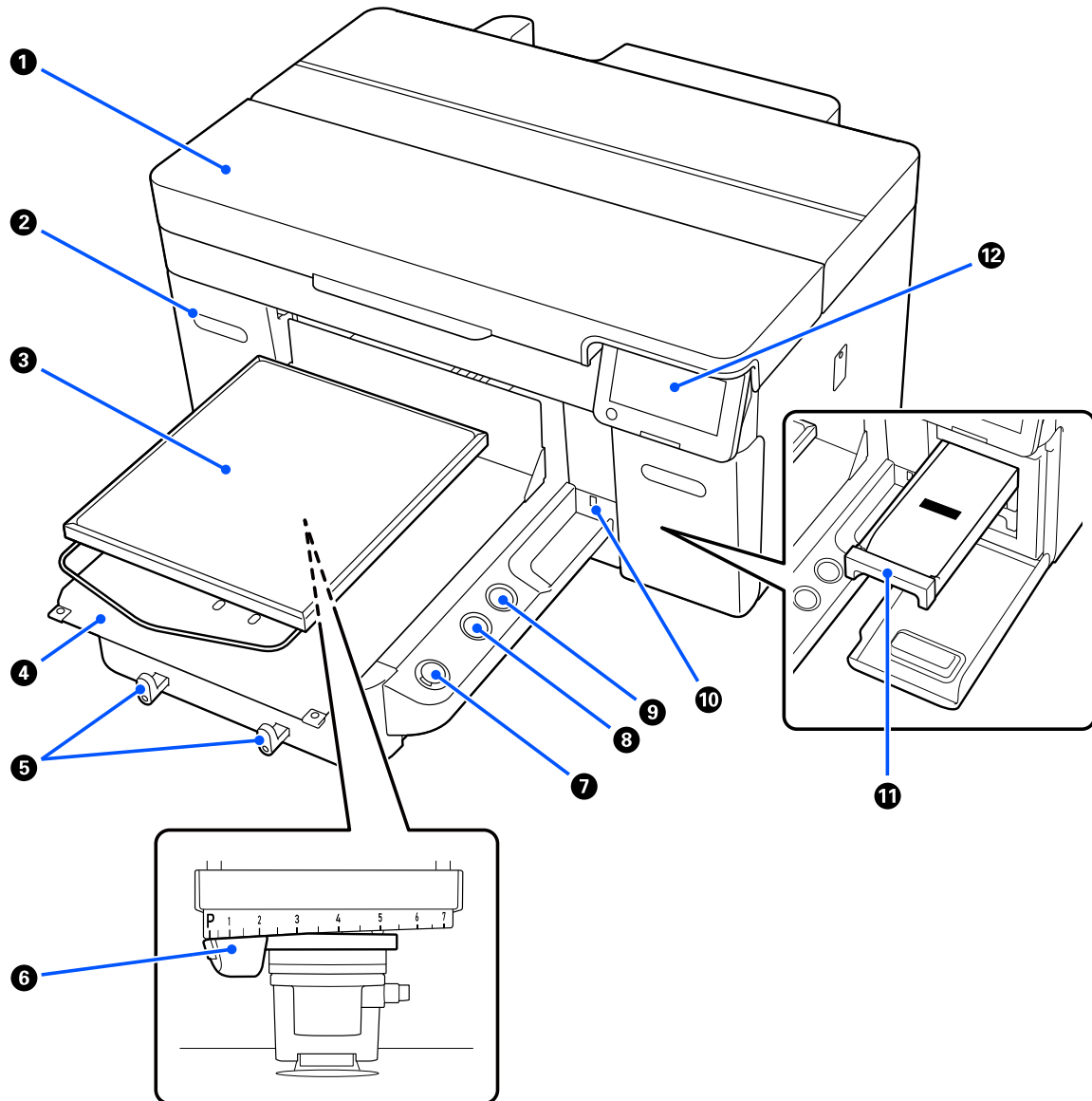
Click **View** menu - **Zoom** - **Marquee Zoom** in this order to change the pointer to a magnifying glass. Use the pointer as a magnifying glass to specify the range of the place you want to enlarge.

- 7 Opens the previous page or next page.

Introduction

Printer Parts

Front Section



1 Printer cover

Open when replacing consumables and cleaning. Normally closed when using the printer.

2 ink cover (two places, left and right)

Open when shaking or replacing the ink supply unit or the cleaning ink supply unit.

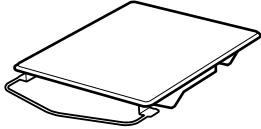
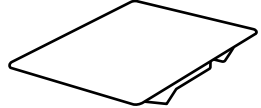
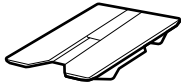
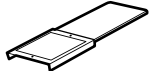
Introduction

3 Platen

A plate for loading media (such as T-shirts). As well as the platen supplied with the printer, there are a variety of optional platens available to suit the size and purpose of the print job.

 [“Options and Consumable Products” on page 129](#)

You can use the platens in the following table with this printer.

Platen Type	Image
<p>Hanger platen (L/M/S size)</p> <p>There is a hanger attached to the front of this platen, allowing you to slide the hem of the T-shirt over the platen from the front.</p> <ul style="list-style-type: none"> <input type="checkbox"/> Depending on how it will be used, you may need to attach a dedicated grip pad to the surface of the platen. <input type="checkbox"/> When not attaching a grip pad, attach the frame supplied when loading media. 	
<p>Standard platen (L/M/S/XS size)</p> <p>This square platen without a hanger is an optional item common to the SC-F2100 Series models.</p> <ul style="list-style-type: none"> <input type="checkbox"/> For sizes other than XS, you may need to attach a dedicated grip pad to the surface of the platen depending on how it will be used. <input type="checkbox"/> When not attaching a grip pad, attach the frame supplied when loading media. 	
<p>Medium grooved platen</p> <p>This platen is suitable for loading media with buttons or zippers.</p> <p>Attach the frame supplied when loading media.</p>	
<p>Sleeve platen</p> <p>This platen is suitable for printing on T-shirt sleeves and so on.</p> <p>Attach the frame supplied when loading media.</p>	

4 Movable base

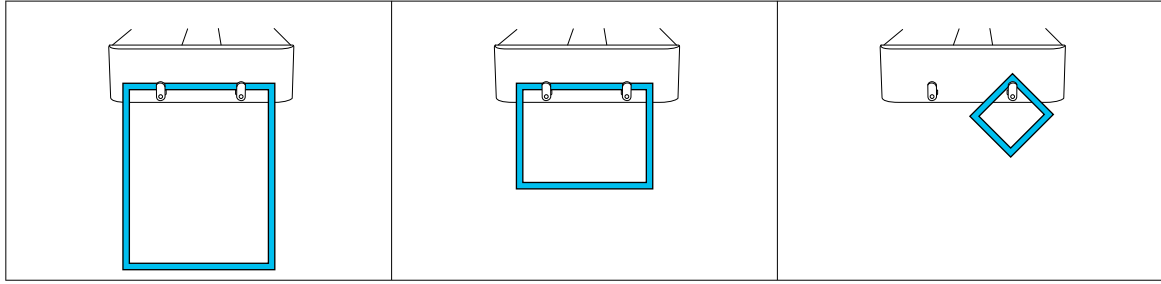
Allows you to move the platen to the front of the printer (the media loading position) and the inside of the printer (the printing and maintenance positions).

5 Hooks

Allows you to hang one frame removed from the platen. Depending on the type of platen you are using, hang the frame as shown in the illustrations.

L/M size platen, Medium grooved platen	S size platen	XS size platen, Sleeve platen
---	---------------	----------------------------------

Introduction



6 Platen Gap Lever

Adjusts the distance between the platen and the print head (platen gap). The height can be selected from 17 levels.

[“Changing the Height of the Platen” on page 60](#)

7 button (Start button)

Press to start printing. The light next to the button turns on when a job has been received and the printer is ready to start printing.

8 button (Pause button)

If you press this button after a job has been sent, the Cancel Job confirmation screen is displayed. You can cancel the current print process by selecting **Yes** and pressing the OK button.

If you press this button while a message or menu is displayed, the message or menu is closed and you are returned to the Ready screen.

9 button (Platen Move button)

Press this button while the platen is in front of the printer to move it inside the printer. When you press this button when the platen is inside the printer, the platen moves to the front. Press it while the platen is moving to stop it.

10 USB Memory Port

Connects a USB memory stick (external storage device).

When a USB memory stick is connected to the printer, the last job sent from Garment Creator 2 is automatically saved temporarily to the USB memory stick as reprint data (file name: Epson_repeat_print.prn). If there is a misprint or you run out of media, you can follow the steps below to repeat printing simply by operating the printer without having to send the job again.

[“When reprinting \(repeat printing\) the same job” on page 70](#)

This printer also allows you to select and print jobs stored on a USB memory stick from a computer.

[“Printing from a USB Memory” on page 73](#)

11 Ink tray

Insert the ink supply unit/cleaning ink supply unit indicated on the label into the printer.

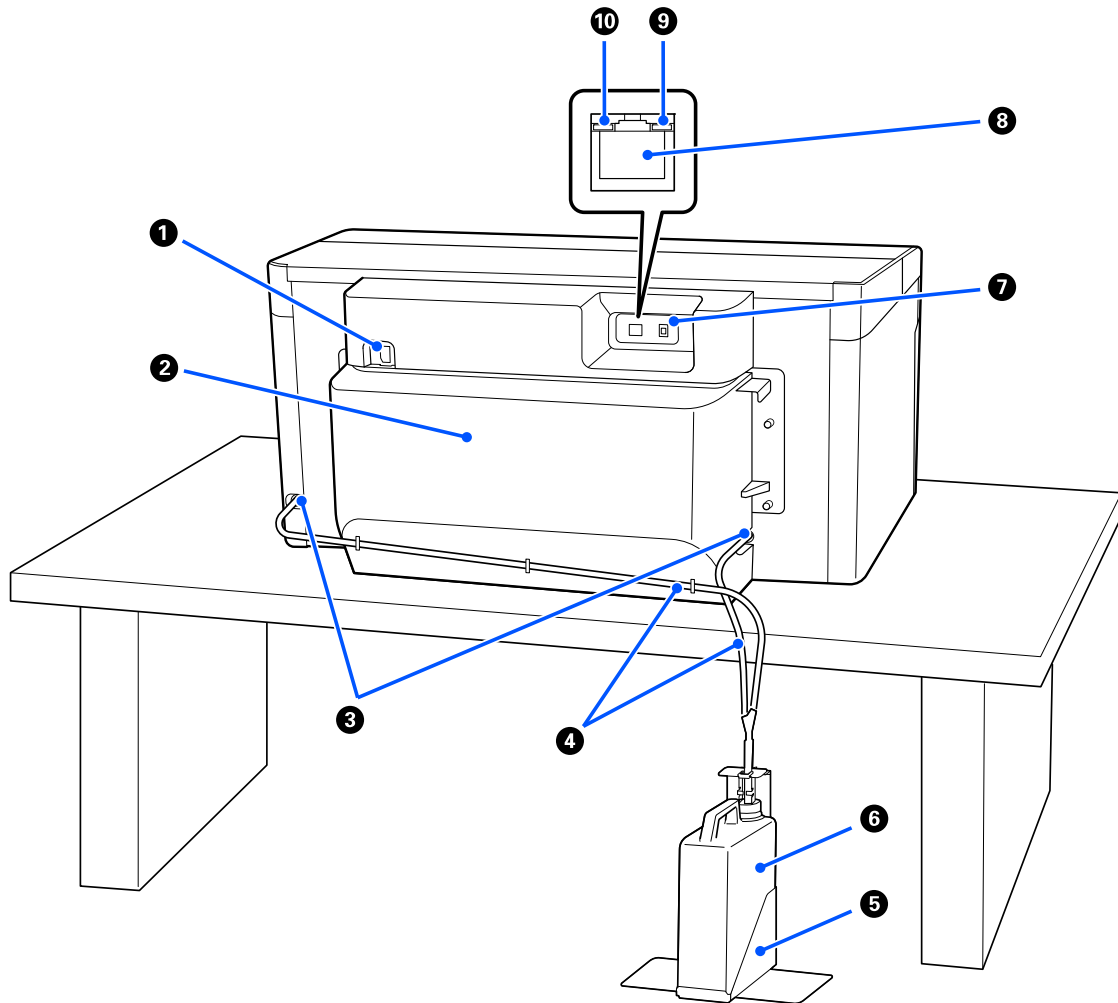
Insert all of the ink trays into the printer.

Introduction

12 Control panel

 [“Control Panel” on page 17](#)

Introduction

Rear Section
**1 Power connector**

Connect the power cable supplied with the printer here.

2 Rear Cover

Remove when moving or transporting so that the printer can be moved in a more compact state. This must be attached when the printer is in use.

 [“Notes When Moving or Transporting the Printer” on page 134](#)

3 Waste Ink Outlets

There are waste ink outlets on the left and right. When removing the waste ink tubes when moving or transporting the printer, be sure to attach the caps supplied.

 [“Notes When Moving or Transporting the Printer” on page 134](#)

Introduction

4 Waste Ink Tubes

Tubes for ejecting waste ink. Do not remove these tubes except when moving or transporting the printer.

 [“Notes When Moving or Transporting the Printer” on page 134](#)

5 Waste Ink Bottle Holder

This holder prevents the waste ink bottle from tipping over.

6 Waste Ink Bottle

A bottle for collecting waste ink. Replace it with a new waste ink bottle when a message is displayed on the control panel prompting you to do so.

 [“Replacing the waste ink bottle” on page 87](#)

7 USB Port

Connect the USB cable here.

8 LAN Port

Connect the LAN cable here. Use a shielded twisted pair LAN cable (category 5e or higher).

9 Data Light

Indicates the network connection status and data reception by lighting or flashing.

On : Connected.

Flashing : Connected. Receiving data.

10 Status Light

Indicates the network transmission speed by the color of the light.

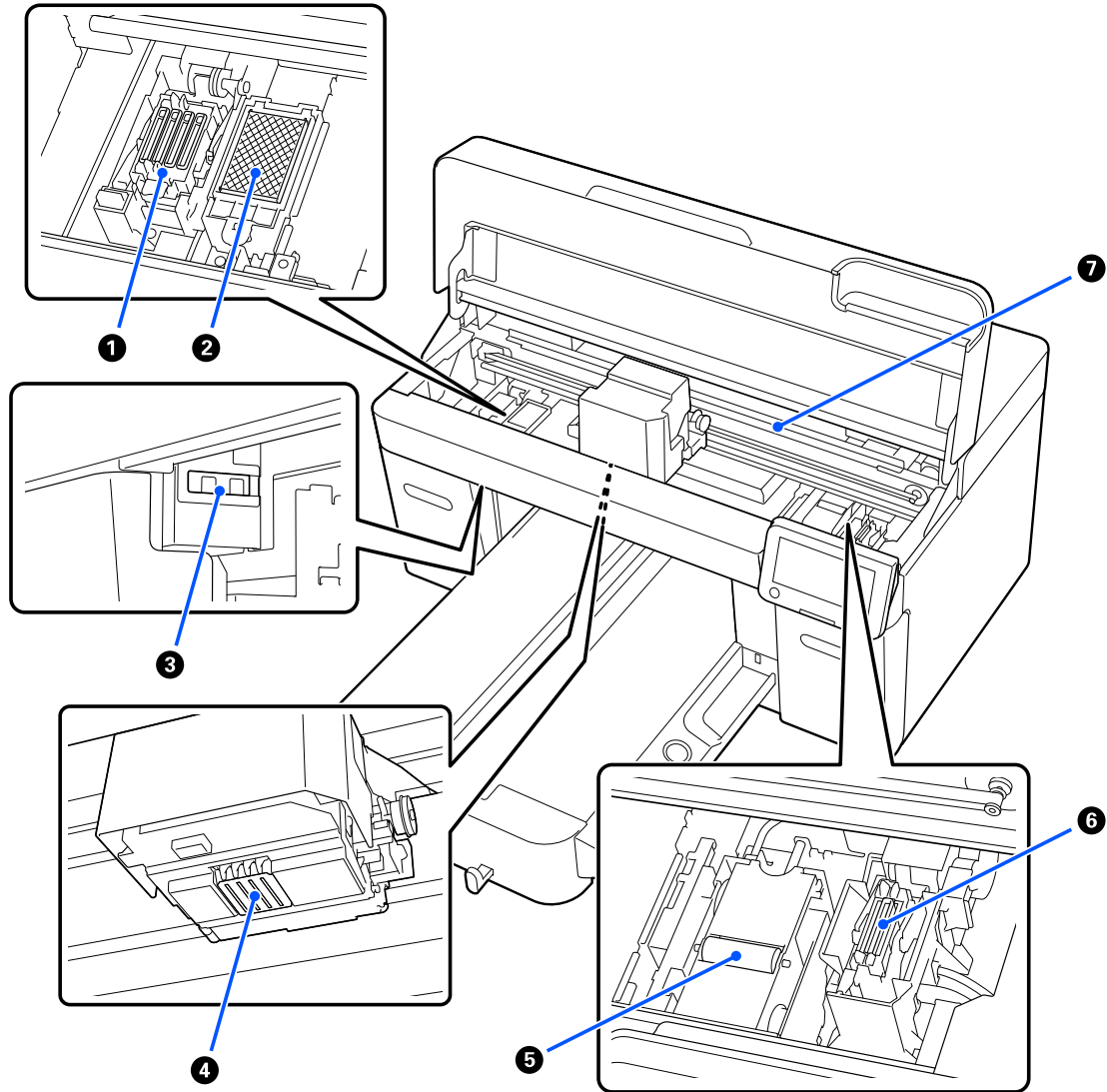
Red : 100Base-TX

Green : 1000Base-T

Introduction

Interior

Dirt on any of the following parts may reduce print quality. Regularly clean and replace these parts as described in the reference pages shown for the following items.



1 Capping station

Caps that close the print head nozzles to prevent them from drying while not printing. The capping station is a consumable item. Replace it if a message is displayed.

 [“Replacing the Head Cleaning Set” on page 89](#)

2 Flushing Pad

The ink is ejected to here during flushing. The flushing pad is a consumable item. Replace it if a message is displayed.

 [“Replacing the Head Cleaning Set” on page 89](#)

Introduction

3 Sensor Covers (two places, left and right)

They protect the sensors that detect the position of the platen so they do not get dirty. Clean them if a message is displayed.

 [“Cleaning the Sensor Cover” on page 80](#)

4 Print Head

The print head prints by moving left and right while emitting ink. When nozzles remain clogged, even after doing **Head Cleaning**, clean them manually.

 [“Clean around the print head and the edges of the metal” on page 81](#)

5 Wiper Unit

Used to wipe off the ink that is stuck to the print head nozzles. The wiper unit is a consumable item. Replace it if a message is displayed.

 [“Replacing the Head Cleaning Set” on page 89](#)

6 Suction Cap

Sucks out the ink during **Head Cleaning** to unclog the nozzles. Clean them if a message is displayed.

 [“Cleaning the Suction Cap” on page 82](#)

7 Encoder Scale

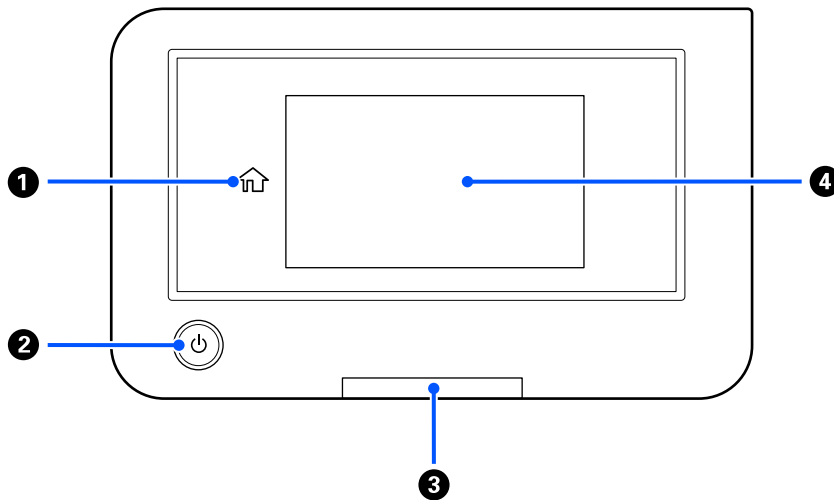

A guide for moving the print head. Clean them if a message is displayed.


 [“Cleaning the Encoder Scale” on page 83](#)


Important:

Do not touch the encoder scale except when cleaning. Malfunctions may occur if it is dirty or damaged.

Introduction

Control Panel

1  **(Home)**

Press this button while a menu is displayed to return to the Home screen. It is turned off when  (Home) cannot be used.

2  **Button (power button)**

Turns the power on and off.

The ring around the button is a light that indicates the printer's operational status by turning on or flashing.

On : The power is on.

Flashing : The printer is operating such as receiving data, shutting down, or moving the movable base.

Off : The power is off.

3 **Alert Lamp**

Lights or flashes when an error occurs.

Lights or flashes : An error has occurred. The type of error is indicated by how the lamp lights or flashes.

Check the contents of the error on the control panel's screen.

Off : No error.

4 **Screen**

This is a touch panel that displays the printer's status, menus, and error messages. You can select the menu items and options displayed on this screen by gently touching (tapping) them, and scroll the screen by moving your finger while it remains touching the screen.

 [“Understanding and Operating the Display” on page 18](#)

Understanding and Operating the Display

Notes on using the control panel

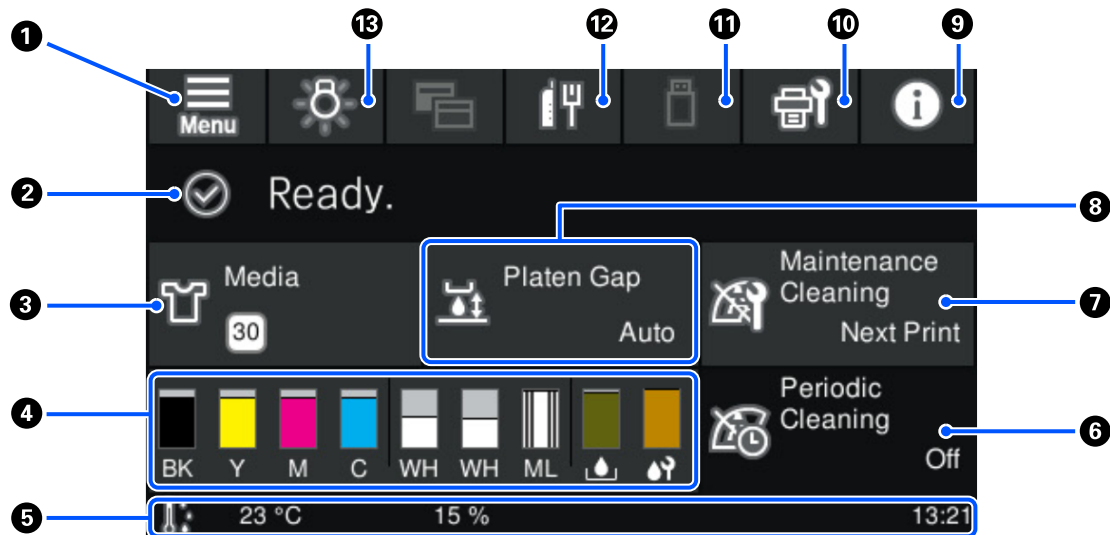
- ❑ Touch the panel with your finger. The panel only reacts when you touch it with your finger.
- ❑ Do not operate with pointy objects such as ballpoint pens or mechanical pencils. Doing so may damage the panel.
- ❑ If the panel gets dirty, wipe it clean with a soft cloth. If it is very dirty, soak a soft cloth in a diluted solution of neutral detergent, wring it out thoroughly, wipe off the dirt, and then wipe it with a soft, dry cloth. Do not use volatile chemicals such as thinner, benzene, or alcohol. Doing so may damage the panel surface.
- ❑ Do not use in an environment subject to rapid changes in temperature or humidity. Condensation may form inside the panel, causing the performance to deteriorate.
- ❑ Some pixels on the screen may not be lit or may be lit constantly. Also, due to the characteristics of LCD displays, the brightness may be uneven, but this is not a malfunction.

Screen View

The section describes the three states of the display; the home screen, receiving print jobs, and printing.

Home screen

You can do settings and check the status of the printer.




1 (Menu)

Displays the settings menu.

 ["Control Panel Menu" on page 98](#)

Introduction

2 Status display area

Displays notifications, such as the status of the printer and when to replace consumables. Only the most recent notifications are shown in this area. When multiple errors or warnings have occurred, you can check all the notifications by pressing  (Printer Status) from 9.

3 Media info

Displays the name and number of the currently selected media settings. Pressing this area displays the **Media Settings** menu for doing settings, in which you can change to a different media setting number or change the settings of the media setting number that is currently selected.

 [“Media Settings menu” on page 108](#)

4 Status of consumables

The status of the ink supply unit/cleaning ink supply unit, waste ink bottle, and head cleaning set are displayed as follows. Pressing this area shows the details screen, in which you can check the part numbers for consumables, etc.



Status of Ink Supply Unit/Cleaning Ink Supply Unit

Displays the approximate level of ink/cleaning liquid remaining. The bar goes lower as the remaining ink runs low. The letters under the bar are abbreviations of the colors. The relation of the abbreviations and the ink colors is shown below.

BK : Black

Y : Yellow

M : Magenta

C : Cyan

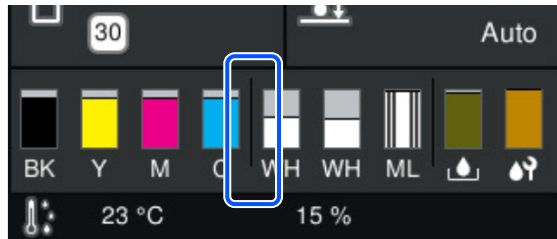
WH : White

CL : Cleaning Ink Supply Unit

ML : Maintenance Liquid

Introduction

Note:



The dividing line between C and WH indicates which ink color is loaded inside the left or right ink cover when viewed from the front of the printer.

- To the left of the line: Inside the left ink cover
- To the right of the line: Inside the right ink cover

The icons appear according to the status of the ink supply unit. The meanings of the icons is as follows.



: Ink is low. You need to prepare a new ink supply unit.



: It is time to shake the ink supply unit. Shake the ink supply unit.

[“Shaking the Ink Supply Units Periodically” on page 90](#)




: The cleaning ink supply unit is installed.



Waste Ink Bottle status


Displays the approximate amount of space available in the waste ink bottle. The bar goes lower as the amount of remaining space decreases.

You need to prepare a new waste ink bottle when the  icon appears.




Head Cleaning Set status

Displays the status of the remaining wiper unit. The bar goes lower according to the status of the remaining wiper unit.

You need to prepare a new head cleaning set when the  icon appears.

5 Footer

The left side shows the temperature and humidity around the printer, and the right side shows the current time and a guide to buttons that can be operated.

The  icon is displayed when the temperature around the printer exceeds approximately 30°C. If you continue to use the printer while this is displayed, the frequency of maintenance cleanings* increases from that when the printer is used below 30°C. Reduce the room temperature or temporarily stop printing to reduce the temperature around the print head.

* This is head cleaning that the printer automatically does, after a period of time has passed, to keep the print head in good condition.

Introduction

6 Periodic Cleaning

When periodic cleaning is scheduled to be performed, the time until it will be performed or the number of pages printed is displayed. Also, pressing this area displays the screen where periodic cleaning can be performed before the scheduled time.

(The default setting is **Off**.)

7 Notice on when to do maintenance cleaning

Displays the time remaining until maintenance cleaning. There may be large variations in the time when it is executed depending on the temperature around the print head.

Pressing this area displays the following items on the screen.



- Time remaining until maintenance cleaning is executed
- Menu to execute preventive cleaning
When it is almost time to perform maintenance cleaning, performing cleaning before the scheduled time can help to prevent work from being interrupted.

8 Platen Gap

Displays the settings for the **Platen Gap** for the currently selected media settings.

Pressing this area displays the setting screen for the **Platen Gap**.

9 (Printer Status)

When there are notifications, such as about running low on consumables,  appears at the top right of the icon, like . Pressing **Message List**, in the screen that appears when this button is pressed, displays a list of notifications for matters that need to be handled. You can check detailed information and the handling procedure for an item by pressing it in the list. Items are deleted from the list as those items are handled.

10 (Maintenance)

The Maintenance menu is displayed on this screen and you can perform operations such as print head maintenance and replacing consumables.


11 (Printing jobs in USB memory)


You can select and then print/delete print jobs in a USB memory. This is only enabled when a USB memory is connected.


 [“Printing from a USB Memory” on page 73](#)

12 / (network connection status and network settings)

The status of wired LAN network connections is shown by the following icons.

Connection on: 

Connection off: 


Press this area while either of the above icons is displayed to open the **Network Settings** setup screen. When the icon looks like , it is disabled.

Introduction

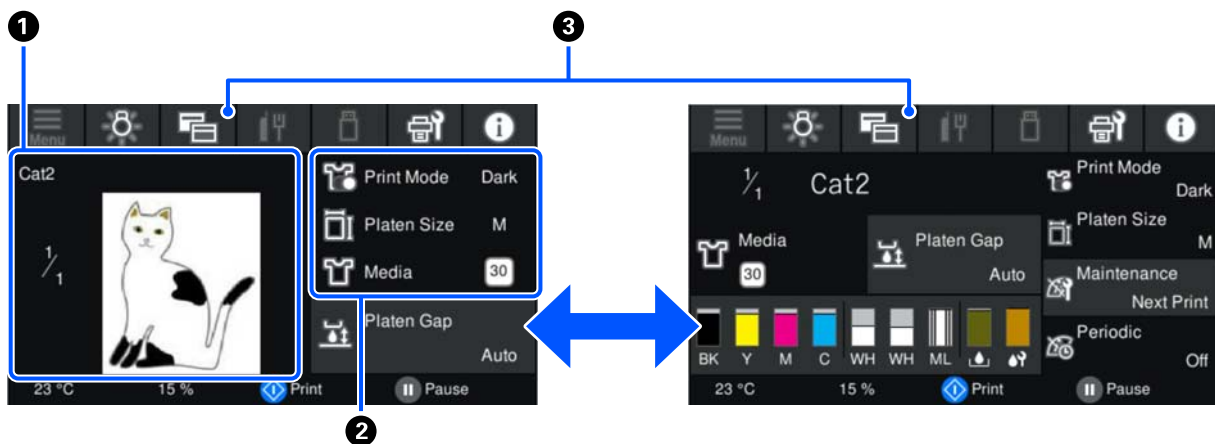
13 (Inside Light)

Switches the internal lamp on or off. Press this button to turn off the inside light, when it is on. Pressing it while the inside light is off, turns it on. It may not light, even if you turn it on, depending on the state of printer operations.

When receiving print jobs

When a print job is sent to the printer, the screen changes to the preview screen (screen below on the left). After a job is received, starting printing by pressing the  button changes the screen to the information screen (screen below on the right).

This section explains only the differences from other screens.



1 Image preview area

You can check a preview image of the print job. The number of prints is shown on the left side of the preview image.

2 Print settings confirmation area

Displays the media settings selected on the printer and the print job.

3 (Switch display)

Each time this button is pressed, the display switches between the information screen and the preview screen.

This button is only enabled when a print job has been received.

Note:

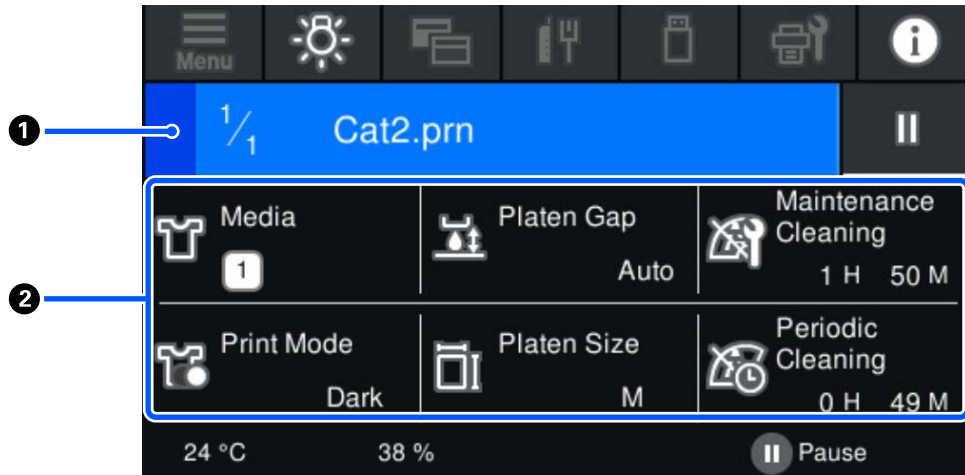
You can also use **General Settings - Basic Settings - Screen Customization - Print Standby Screen** to fix the screen when receiving a print job to either the preview screen or the information display screen. See the following for more details.

 [“General Settings menu” on page 103](#)

Introduction

While printing

Starting printing by pressing the \diamond button switches to the following screen. This section explains only the differences from other screens.



1 Status display area

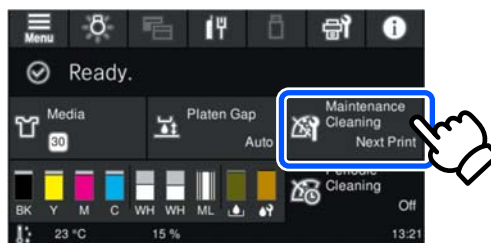
- The color gradually changes from the left edge to the right edge of the area to show the progress of printing.
- The (pause) icon is displayed on the right edge of the area. It has the same function as the button on the printer.

2 Setting/status confirmation area

Displays the settings of the printer and the print job that is currently printing. The settings cannot be changed while printing.

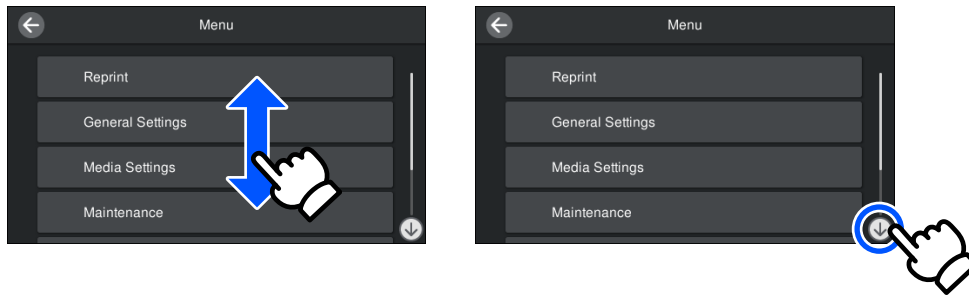
Operating procedure

The operation areas are gray tiles in the home screen, print job receiving and printing screen. Pressing them changes the screens and settings. The area with a black background is the display area. It does not respond if you press it.

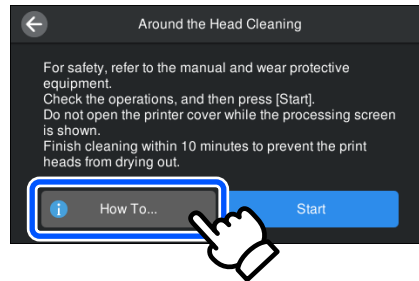


Introduction

Operation areas do operations when pressed. As shown below, when a scroll bar is displayed, you can scroll the screen by moving (sliding) your finger up and down on the screen. You can also scroll by pressing on the up and down icons on the scroll bar.



When there is a **How To...** button, such as in a message screen, you can press this button to look at a guide for the operating procedure.



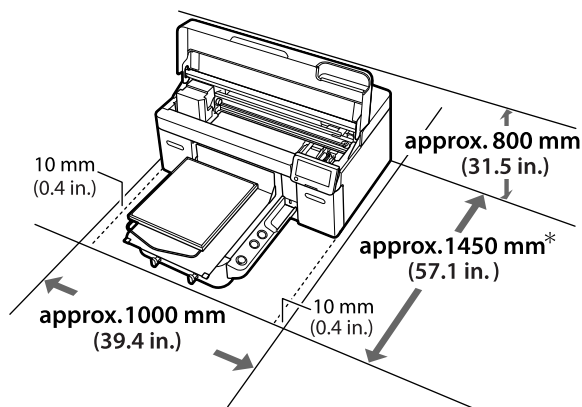
Notes on Usage and Storage

Installation space

Be sure to keep the following space clear and place nothing in it, so that loading T-shirts and consumable replacements are not obstructed.

See the *Setup Guide* for details.

 *Setup Guide* (booklet)



*Approximately 1500 mm (59.1 in.) when the optional L size hanger platen is installed.

Notes for using the printer

Note the following points when using this printer to avoid breakdowns, malfunctions, and print quality decline.

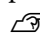
As well as the following, there are additional points to note when using White ink. Check the following.

 [“Notes on Handling White Ink” on page 27](#)

- ❑ When using the printer, observe the operating temperature and humidity range described in the “Specifications Table”.

 [“Specifications Table” on page 147](#)

When operating in dry areas, air conditioned environments, or under direct sunlight, maintain the specified humidity range.

- ❑ Do not install the printer next to heat sources or directly in the path of air from a ventilator, air conditioner, or treatment machine. Failure to observe this precaution could result in the print head nozzles drying and clogging.
- ❑ Do not bend or tug the waste ink tube. Ink could spill inside or around the printer.
- ❑ The print head may not be capped (the print head may not return to the left edge) if the printer is turned off when an error has occurred. Capping is a function for automatically covering the print head with a cap (lid) to prevent the print head from drying out. In this case, turn on the power and wait a while until capping is performed automatically.
- ❑ When the power is on, do not remove the power plug or cut the power at the breaker. The print head may not be capped properly. In this case, turn on the power and wait a while until capping is performed automatically.
- ❑ To keep the print head in the optimum operating condition, the ink and cleaning liquid are also used in maintenance operations such as head cleaning in addition to printing.
- ❑ Do not remove ink supply units while the printer is operating. A malfunction may occur.
- ❑ Maintenance, such as cleaning and replacing consumables, must be performed according to usage frequency or at recommended intervals. Print quality declines if maintenance is not performed.
 [“Maintenance” on page 75](#)
- ❑ Do not move the movable base or the platen manually. Otherwise a malfunction may occur.
- ❑ To keep the print head in optimum operating condition, maintenance is performed when the printer is turned on. If the printer is turned on and off frequently, more ink is consumed in each maintenance operation. We recommend leaving the power on to reduce ink consumption. To reduce ink consumption, we recommend that you always leave the printer power on.

Introduction

Notes for when not using the printer

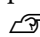
Note the following points when you are storing the printer. If the printer is not stored correctly, you may not be able to print properly the next time it is used.

As well as the following, there are additional points to note when using White ink. Check the following.

 [“Notes on Handling White Ink” on page 27](#)

- ❑ If the printer will not be used (and will be switched off) for an extended period, use the cleaning ink supply unit (sold separately) to do the long-term storage process. If the printer is left in this condition, it may be impossible to clear clogging in the print head. See the following for more details.

 [“Pre-Storage Maintenance for Long-Term Non-Use” on page 96](#)

- ❑ If you do not print for a long time and do not do the long-term storage process, turn the printer on at least once every seven days.
If you do not print for a long time, the print head nozzles may become clogged. Maintenance cleaning is performed automatically after the printer is turned on and started. Maintenance cleaning prevents clogged print head and maintains print quality. Do not turn the printer off until maintenance cleaning is complete.
- ❑ If you do not use the printer for a long time, make sure you check for clogged nozzles before printing. If clogged nozzles are detected in the print head, perform print head cleaning.
 [“Checking for clogged nozzles” on page 91](#)
- ❑ Even if the printer is not turned on, ink that has accumulated in the waste ink tubes may leak out. Make sure the waste ink bottle is installed even when the printer is not on.
- ❑ Make sure that the print head has been capped (the print head is positioned at the left edge) before storing the printer. If it is left uncapped for a long time, the print quality may decline, and it may be impossible to clear clogged nozzles. If the print head is not capped, turn the printer on, check that capping has been performed, and then turn it off.

- ❑ Close all covers when storing the printer to prevent dust and other foreign matters getting in. If the printer will be not be used for an extended period, protect it with an anti-static cloth or other cover.

The print head nozzles are very small, and they can become clogged easily if fine dust gets on the print head, and you may not be able to print properly.

Notes on Handling Ink Supply Units/Cleaning Ink Supply Units

Note the following points when handling Ink Supply Units/Cleaning Ink Supply Units to maintain good print quality.

As well as the following, there are additional points to note when using White ink. Check the following.

 [“Notes on Handling White Ink” on page 27](#)

- ❑ When installing ink supply units for the first time, a lot of ink is consumed to fill all parts of print head nozzles to get the printer ready for printing. Prepare replacement ink supply units well in advance.
- ❑ Store Ink Supply Units/Cleaning Ink Supply Units at room temperature in a location that is not exposed to direct sunlight.
- ❑ To ensure print quality, we recommend using all the ink in the ink supply units before the earlier of the following dates:
 - ❑ The expiry date shown on the packaging
 - ❑ One year from the day they are inserted into the ink trays
- ❑ Ink Supply Unit/Cleaning Ink Supply Unit that have been stored at low temperatures for an extended period should be allowed to return to room temperature over a period of four hours before use.
- ❑ Do not touch the Ink Supply Units/Cleaning Ink Supply Units IC chips. Doing so may prevent normal operation and printing.
- ❑ Printing is not possible unless ink supply units are installed in all of the ink trays in the printer.

Introduction

- ❑ Do not leave the printer without ink supply units installed. The ink in the printer may dry, preventing it from printing as expected. Leave ink supply units inserted in all ink trays, even when the printer is not in use.
- ❑ Even if the Ink Supply Units/Cleaning Ink Supply Units are removed from the printer, they can be re-installed and used because their IC chips manage their information, such as the amounts remaining in them.
- ❑ Before you store ink supply units that you remove during use, use a wide cleaning stick from the supplied Maintenance Kit to adsorb the ink stuck on their ink supply ports. Dried ink on the supply port may cause ink leaks when the ink supply unit is reinserted and used.
See the following for more information on cleaning methods.
[🔗 “Performing Pre-storage Maintenance” on page 96](#)
Make sure that the supply port is free of dust when storing ink supply units. The port does not need to be capped since there is a valve inside.
- ❑ Removed ink supply units may have ink around the ink supply port, so be careful not to get any ink on the surrounding area.
- ❑ To maintain the quality of the print head, the printer is designed to stop printing before ink is completely expended, leaving ink in the used ink supply units.
- ❑ Although the Ink Supply Units/Cleaning Ink Supply Units may contain recycled materials, it does not affect the printer's function or performance.
- ❑ Do not dismantle or modify Ink Supply Units/Cleaning Ink Supply Units. You may not be able to print properly.
- ❑ Do not drop or knock the Ink Supply Units/Cleaning Ink Supply Units against hard objects; otherwise ink may leak from them.

- ❑ Ink supply units (except for WH) that have been loaded in the printer must be removed and thoroughly shaken once every month.
WH must be removed and thoroughly shaken every day before starting printing work.
You do not need to shake the Cleaning Ink Supply Unit and ML.
Shaking method
[🔗 “Shaking the Ink Supply Units Periodically” on page 90](#)

Notes on Handling White Ink

A characteristic of White ink is that it sediments easily (ink particles sink to the bottom of the liquid). If the ink is used while in this state, print quality may decline or the printer may malfunction. Note the following points to use the printer under optimum conditions.

- ❑ Ink supply units that have been loaded must be removed and thoroughly shaken before starting work and once every 24 hours (when a message is displayed).
[🔗 “Shaking the Ink Supply Units Periodically” on page 90](#)
- ❑ Print quality may decline due to the ink's components sedimenting in the ink tubes. See the following if there is not enough white or the white is uneven in the print results.
[🔗 “Not enough or uneven whiteness” on page 124](#)
- ❑ When storing ink supply units, place them down flat (keep them level). If ink supply units are stored standing upright, you may not be able to clear the sedimentation even by shaking them.
- ❑ If the printer will not be used for more than two weeks, use the cleaning ink supply unit (sold separately) to do pre-storage maintenance. If the printer is left in this condition without performing maintenance, it may be impossible to clear clogging in the print head.
[🔗 “Pre-Storage Maintenance for Long-Term Non-Use” on page 96](#)

Note:



While in White ink mode, White ink is still consumed during maintenance even when printing with color ink only.

Notes on Handling T-shirts (Media)

Note the following points when handling and storing printed T-shirts.

- ❑ Avoid locations that are subject to direct sunlight, excessive heat, or humidity. If T-shirts are stored in a hot place after printing, the printed surface may soften and stick.
- ❑ Do not use a tumble drier.
- ❑ Do not dry clean.
- ❑ Turn the T-shirt inside out before washing, and then let it dry while inside out.
- ❑ Do not use bleach. It may cause discoloration.
- ❑ Do not iron directly on the printed surface.
- ❑ Do not expose to direct sunlight for extended periods of time.
- ❑ Do not use organic solvents such as alcohol.
- ❑ Do not rub the printed surface against vinyl chloride based artificial leather. The colors may transfer to the leather.
- ❑ Colors may transfer if you rub the surface printed with color ink only against a surface printed with White ink only. If this happens, use a soft cloth or brush with a little household detergent to wipe away the transferred color.
- ❑ If you have applied pre-treatment liquid and fixed the ink, we recommend washing the T-shirt in water before wearing it to remove the remaining traces of pre-treatment liquid.
- ❑ If traces of the pre-treatment liquid are visible, try washing in water; however, the effects depend on the material of the T-shirt.
- ❑ If pre-treatment liquid is applied to a white or light-colored T-shirt, the application side may turn yellow. Print soon after applying the pre-treatment liquid and wash in water. Avoid direct sunlight if you store the T-shirt without printing.

Notes on Handling Pre-treatment Liquid

- ❑ We recommend that the pre-treatment liquid be stored at room temperature out of direct sunlight and used before the expiry date printed on the packaging.
- ❑ Stir the polyester pre-treatment liquid before opening. If you use it without stirring, the effect of pre-treatment may not be sufficient. You do not need to stir after opening.
 [“Agitating the polyester pre-treatment liquid” on page 41](#)
- ❑ If white coagulation occurs during storage of the cotton pre-treatment liquid, filter it to remove the coagulation before use. If you use the pre-treatment liquid as it is, the print results will be uneven.
 [“Filtering the cotton pre-treatment liquid \(only when coagulation occurs\)” on page 44](#)

Introduction

Introducing the Supplied Software

Supplied software

The following table shows the software that is supplied.


Windows versions are provided on the software disc that is supplied. If you are using a Mac or a computer without a disc-drive, you can download and install the software from the following link: <https://epson.sn>.

For information about the software, see the manual for the application or the *Network Guide* (Online Manual).

Note:

Printer drivers are not provided. You need Garment Creator 2 or a software RIP to print using this printer.

The Epson Web site provides plug-ins for the printer.

Software Name	Summary
Garment Creator 2*	<ul style="list-style-type: none"> <input type="checkbox"/> You can load images created with commercially available drawing software, make the following settings, and then create jobs. <ul style="list-style-type: none"> <input type="checkbox"/> Set the position and size of the image according to the platen size used for printing. <input type="checkbox"/> Set the Print Quality and so on <input type="checkbox"/> You can send created jobs to the printer or save them to your computer. <p>See the Garment Creator 2 manual for more details.</p>
Garment Creator Easy Print System* (Windows only)	This software allows you to create a hot folder for printing. By simply copying an image file to the hot folder, you can automatically create a print job and send it to the printer. This is useful when frequently printing using the same print and layout settings. Install this software on the computer on which Garment Creator 2 is installed.
Epson Edge Dashboard*	<ul style="list-style-type: none"> <input type="checkbox"/> You can easily acquire the following variety of information provided by Epson on the internet. <ul style="list-style-type: none"> <input type="checkbox"/> Update information for the printer firmware (you can update the firmware easily from Epson Edge Dashboard) <input type="checkbox"/> Update information (when update information is available, start EPSON Software Updater to perform the update) for software and manuals installed from the supplied software disc and setup navigator. <input type="checkbox"/> Information from Epson <input type="checkbox"/> With Epson Edge Dashboard installed, you can monitor the status of the printer connected to a computer over a network or USB connection. <p> "Using Epson Edge Dashboard" on page 31</p>
EPSON Software Updater	The software checks if new software or update information is available on the Internet and installs it if it is available. You can also update Garment Creator 2, Epson Edge Dashboard, or manuals for the printer. If you are using Windows, you can also update the printer's firmware from this software.
Epson communications drivers (Windows only)	The Epson communications drivers must be installed in the following cases. <ul style="list-style-type: none"> <input type="checkbox"/> If you are using Epson Edge Dashboard and Garment Creator 2 <input type="checkbox"/> If your computer and printer are connected by USB and you are using commercially available RIP software

Introduction

Software Name	Summary
Install Navi*	This is the installer. During installation, you can easily use a wizard to set the address settings for connecting to a network.
EpsonNet Config SE (Windows only)	With this software, you can configure various network settings for the printer from your computer. This is useful as it allows you to enter addresses and names using the keyboard.

* Download and install the software from the Internet. Connect your computer to the Internet and install the software.

Note:


When using this printer with a Mac, EPSON Software Updater only receives updates for software (such as Garment Creator 2), not firmware updates.

Check Epson Edge Dashboard for firmware updates and update as necessary.

See the Epson Edge Dashboard manual for more details.

Built-in Software in the Printer

The following software comes preinstalled in the printer. Start and use it from a Web browser via the network.

Software Name	Function
Web Config	<p>This software is for network administrators.</p> <p>The network security settings can be configured from Web Config. This software also has an email notification function for notifying of printer errors and other problems.</p> <p> "Using Web Config" on page 33</p>

Using Garment Creator 2

Note:

This software is updated as necessary to improve usability and enhance functions. For detailed information, see the manual for the software.

Starting Procedure

The application can be launched using the following methods.

Windows

- Click **Start - All Programs (or Programs) - Epson Software - Garment Creator 2**, in this order.
- Double click the **Garment Creator 2** icon on the desktop.



Mac

Select **Move - Applications - Epson Software**, in this order, and then double click the **Garment Creator 2** icon.



Closing Procedure

Click the **×** icon in the upper right of the main screen.

Using Epson Edge Dashboard

Note:

This software is updated as necessary to improve usability and enhance functions. For detailed information, see the manual for the software.

Starting Procedure

Epson Edge Dashboard is a Web application.

- 1** The application can be launched using the following methods.

Windows

Click the **Epson Edge Dashboard** icon on the desktop toolbar, and select **Show Epson Edge Dashboard**.



Mac

Click the **Epson Edge Dashboard** icon displayed on the menu bar of the desktop, and select **Show Epson Edge Dashboard**.



- 2** Epson Edge Dashboard starts.

Registering the Printer

Epson Edge Dashboard can monitor and manage registered printers as well as copy media settings to them.

On Windows, printers are registered automatically. This allows you to monitor and manage them immediately after starting the Epson Edge Dashboard. If your printer is not automatically registered, check that you are using it under the following conditions, and then register it manually.

- A communication driver provided with the printer has been installed on a computer
- The computer and printer are connected
- The printer is on standby

Printers are not automatically registered to your Mac. When you start Epson Edge Dashboard for the first time, register your printer manually on the Printer Registration screen displayed.

Introduction

Manual registration procedure

1 Check the printers displayed on the printer list.

Windows

Make sure that the printer you want to register is on the printer list. Click **Add Search** as needed to search for printers you can register. Any printers that are found are added to the printer list.

Mac

- ❑ If your computer and printers are connected via USB
Click **Add Search** to place the printers on the list.
- ❑ If your computer and printers are connected via a network
Click **Search Option**, enter the IP address of the printer on the network, and click **+**.
Next, click **Add Search** to place the printer you want on the list.

2 Place a ✓ beside the **Printer Name** of the printer you want to register.

3 Click **Apply**.

The changes made to the printer list are applied.

Closing Procedure

Close the Web browser.

Using EPSON Software Updater

Note:

EPSON Software Updater is not available in all regions.

Checking software update availability

1 Check the following status.

- ❑ The computer is connected to the Internet.

- ❑ The printer and the computer can communicate.

2 Start EPSON Software Updater.

Windows 8.1

Enter the software name in the search charm, and select the icon displayed.

Except for Windows 8.1


Click the Start button - **All Programs (or Programs) - Epson Software - EPSON Software Updater**.

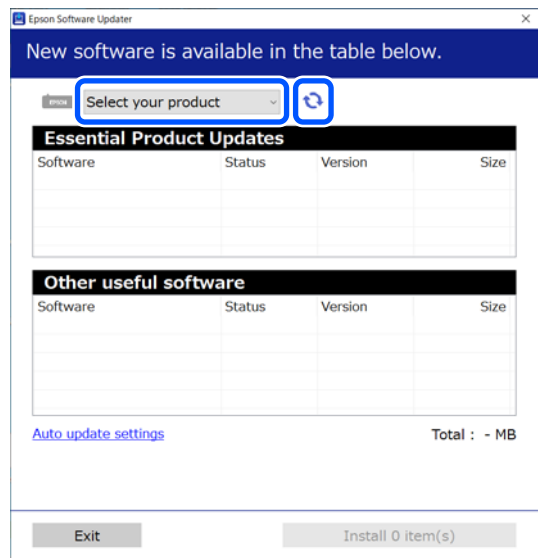
Mac

Click **Move - Applications - Epson Software - EPSON Software Updater**.

Note:

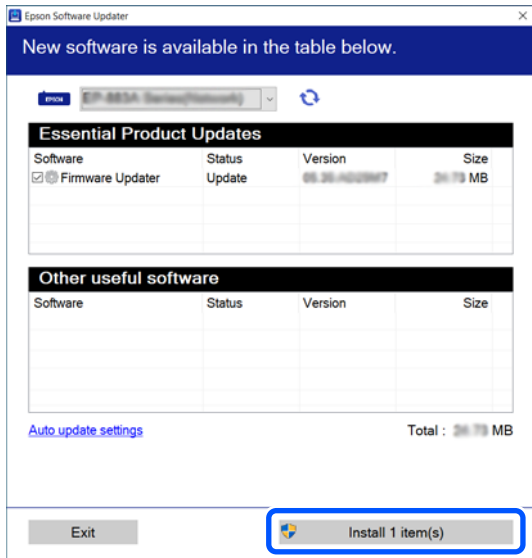
*In Windows, you can also start by clicking the printer icon on the desktop toolbar and selecting **Software Update**.*

3 Select your printer, and then click  to check for the latest software.



Introduction

- 4 Select the software and manuals you want to update, and then click the Install button to start the installation.



Windows only

When Firmware Updater is displayed, the latest firmware is available. Select Firmware Updater and click the Install button to automatically start Firmware Updater and update the printer firmware.

Follow the on-screen instructions.

Important:
Do not turn off the computer or printer while updating.

Note:
Software that is not displayed in the list cannot be updated using EPSON Software Updater. Check for the latest versions of the software from the Epson Web site.
<https://www.epson.com>

Receiving update notifications

- 1 Start EPSON Software Updater.
- 2 Click **Auto update settings**.

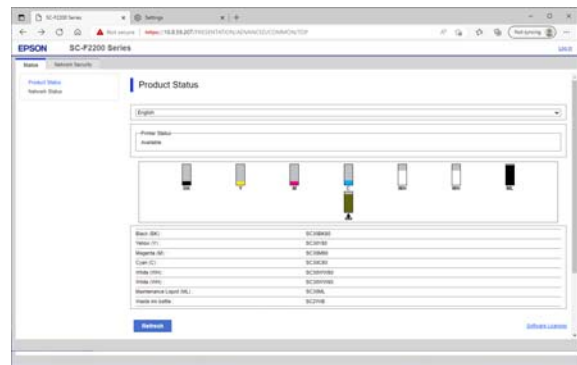
- 3 Select an interval for checking for updates on the printer's **Interval to Check** box, and then click **OK**.

Using Web Config

This section describes how to start the software and provides a summary of its functions.

Function Summary

This section introduces the main functions of Web Config.



For standard users

The following information can be viewed by anyone simply by entering the printer's IP address.

- The status of the printer, such as the amount of ink remaining
- The content of network settings (settings cannot be changed)


For administrators

The following functions are also available when logged on as an administrator.

- You can check the printer's firmware version.
- Configure the printer's network settings and advanced security settings, such as SSL/TLS communication, IPsec/IP filtering, and IEEE802.1X, which cannot be configured with the printer alone.


Starting Procedure

Start the software from a web browser on a computer or smart device that is connected to the same network as the printer.

- 1 Press , and then press in the order of **General Settings - Network Settings - Advanced - TCP/IP** to check the IP address of the printer.

Note:

The IP address can also be checked by printing a network connection check report. A report can be printed by touching the following in order from the Home screen.

 - **General Settings - Network Settings - Connection Check - Network Status - Print Status Sheet**

- 2 Start a Web browser on a computer or smart device connected to the printer via the network.

- 3 Enter the IP address of the printer in the address bar of the Web browser and press the **Enter** or **Return** key.

Format:

IPv4: http://IP address of printer/

IPv6: http://[IP address of printer]/

Example:

IPv4: http://192.168.100.201/

IPv6: http://[2001:db8::1000:1]/

To log on as an administrator, proceed to the next step.

- 4 Click **Log in** at the top-right of the screen, enter your **User Name** and **Current password**, and then click **OK**.

Closing Procedure

Close the Web browser.

Uninstalling Software

 **Important:**

- Log into a "Computer administrator" account (an account with administrative privileges).
- Enter the administrator password when prompted and then proceed with the remainder of the operation.
- Exit any other applications that may be running.
- If you are reinstalling the Epson communications drivers after removing them, restart the computer.

Windows

This section explains how to uninstall the Epson communications drivers using them as an example. We recommend that you turn off the printer and disconnect the cables connected to the computer before you start work.

Windows 11

- 1 Click the Start button - **Settings**.
The **Settings** screen is displayed.
- 2 Click **Apps** from the menu on the left side of the screen.
- 3 Click **Apps & features** (or **Installed apps**).
- 4 Click the **SC-F2200 Series Comm Driver** menu button from the list, and then select **Uninstall** from the menu.
Follow the on-screen instructions to continue.
When the confirmation message appears, click **Yes**.

Except for Windows 11

- 1 Display the Control Panel, and then click **Uninstall a program**.

Introduction

- 2 Select the **SC-F2200 Series Comm Driver** from the list, and then click **Uninstall**.

Follow the on-screen instructions to continue.

When the confirmation message appears, click **Yes**.

Mac

The following describes how to remove Epson Edge Dashboard.

- 1 Close **Epson Edge Dashboard**.
- 2 Double-click **Applications - Epson Software - Epson Edge Dashboard - Epson Edge Dashboard Uninstaller**.

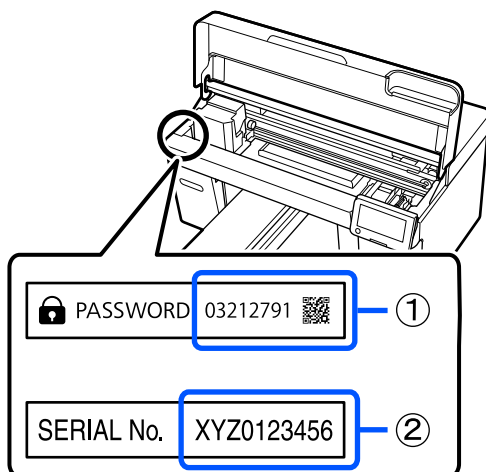
Follow the on-screen instructions to continue.

Notes on the Administrator Password

The initial password for each printer is different when the printer is shipped from the factory. We recommend that you do not continue to use the initial password when you start using the printer; change it to a password of your choice.

Checking the Initial Password

The initial administrator password is on the label attached to the left edge inside the printer cover.



- ❑ If there is only one label: The value for SERIAL No. on the label in (2) is the initial password. (In the example in the illustration, the initial password is "XYZ0123456".)
- ❑ If there are two labels: The value for PASSWORD on the label in (1) is the initial password. (In the example in the illustration, the initial password is "03212791".)

Changing the Password

See the *Setup Guide* (booklet) supplied.

If you do not have the *Setup Guide* on hand, you can check it in the Online Manual.

Important:

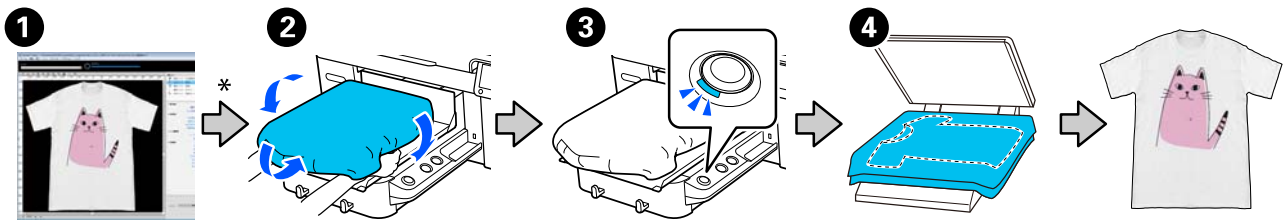
If you forget the password, contact your dealer or Epson Support.


Basic Printing

Basic Printing


Overview

The following illustration shows the process from creating a job to printing using color ink only on a standard-thickness cotton T-shirt. Depending on the operating conditions, you may need to perform some additional operations before loading the media. See "*" in the following table for more details.



Work Item	Summary
<p>① Creating/Sending Jobs</p>	<p>Send the job created by laying out images in Garment Creator 2, to this printer.</p> <p>See the Garment Creator 2 manual for more details.</p>
<p>* 1. Applying the pre-treatment liquid</p>	<p>In the following situations, apply a pre-treatment liquid to the printing surface before loading the media.</p> <ul style="list-style-type: none"> <input type="checkbox"/> When printing White ink on cotton media <input type="checkbox"/> When printing on polyester media (in any ink color) <p>Applying a pre-treatment liquid will fix the ink to the T-shirt and improve the color development.</p> <p>👉 "Pre-treatment" on page 40</p>
<p>2. Determining the height of the platen</p>	<p>In the following situations, optimize the height of the platen.</p> <ul style="list-style-type: none"> <input type="checkbox"/> When using the printer for the first time <input type="checkbox"/> When changing the platen type being used <input type="checkbox"/> When using media with different thicknesses <p>Depending on the operating conditions, you may need to change the combination of spacers and the scale position of the platen gap lever.</p> <p>👉 "Determining the Height of the Platen" on page 56</p>
<p>② Loading the T-shirt (media)</p>	<p>Attach the platen to the printer, and then load the T-shirt (media).</p> <p>👉 "Load the T-shirt (media)" on page 61</p> <p>When using the platen for the first time, attach the grip pad supplied beforehand.</p> <p>👉 "Attaching/Removing a Grip Pad" on page 52</p>
<p>③ Printing</p>	<p>Confirm that the job has been received and the lamp on the  button on the printer is lit before you start printing.</p> <p>👉 "Starting and Canceling Printing" on page 70</p>

Basic Printing

Work Item	Summary
<p>4 Fixing the Ink</p>	<p>Remove the T-shirt from the printer, and then fix the ink in a heat press or oven.</p> <p>The optimum conditions vary depending on the media fabric or the device for fixing ink.</p> <p> "Fixing the Ink" on page 71</p>

Basic Printing

Preparation

To print on a T-shirt using this printer, you need the following devices and parts.

Prepare genuine ink supply units, pre-treatment liquid, and a platen for use with this printer.

 [“Options and Consumable Products” on page 129](#)

Under Normal Usage

Platen (provided with the printer or option)

The printer comes with an M-size hanger platen. As well as this M-size platen, there are five other types of platens at different sizes available.

 [“Options and Consumable Products” on page 129](#)

Grip Pad Tool (provided with printer)

This is used to remove slack and creases when loading a T-shirt on a grip pad covered platen.

T-shirts (commercially available)

You can use the following types of fabric.

- Fabric with a cotton blend ratio of 100% to 50%
We recommend using a cotton blend ratio of 100%, thick fabric with a high weave density.
- Fabric with a polyester blend ratio of 100% to 50%
We recommend using a polyester blend ratio of 100%.

We recommend making a test print in advance to check the print quality since the type of fabric being used may affect the print quality.

Sticky tape or a sticky roller (commercially available)

This is used to remove lint from the print surface of the T-shirt before printing.

Hard roller (optional item or commercially available)

This is used to press the fibers flat on the print surface of the T-shirt before printing.

When using commercially available products, make sure you prepare a separate hard roller and pre-treatment liquid roller.

Device for Fixing Ink

You need one of the following devices to fix the ink after printing. Use as required.

Heat press (commercially available)

As well as fixing the ink, this is also used for the following purposes.

- Removing creases from T-shirts before printing
- Pressing down standing fibers on T-shirts before printing to prevent nozzles from clogging
- Fixing the pre-treatment liquid

The heat press needs to be larger than your platen and to be able to sustain 170°C (338°F) or more for 90 seconds. We recommend a heat press with a foam sheet or mat to allow the steam to escape. If these are not supplied, you need to acquire them beforehand.

Oven (commercially available)

This can only perform ink fixing. Use the heat press to fix the pre-treatment liquid.

Prepare the following items when using the heat press.

Heat-resistant release sheet (commercially available)

Place this over the T-shirt to prevent any pre-treatment liquid or ink from touching the press side of the heat press. You can also use it to load T-shirts on the grip pad covered platen using the grip pad tool.

Prepare silicon paper, fluoro-resin sheets, and so on.

Heat-resistant fabric (commercially available)

Use when fixing ink to uneven areas near seams, such as around sleeves. We recommend using the same type of fabric as the T-shirt.

Basic Printing

Items for Use in Pre-treatment

Prepare the following items for pre-treatment when printing using White ink on cotton T-shirts, or when printing on polyester T-shirts.

Pre-treatment liquid (consumable)

The following 2 types are available.

- ❑ Cotton pre-treatment liquid: Use this only when printing using White ink on a T-shirt with a cotton blend ratio of 100% to 50%.
- ❑ Polyester pre-treatment liquid : Use this regardless of the ink being used when printing on a T-shirt with a polyester blend ratio of 100% to 50%.

You can use either pre-treatment liquid for fabric with a 50% blend ratio of polyester and cotton, but there may be differences in the pre-treatment effects depending on the actual type of fabric. If necessary, make a test print in advance to determine which pre-treatment liquid to use.

Pure water (commercially available)

Used to dilute pre-treatment liquid and to clean sensor covers.

Pre-treatment liquid roller (option or commercially available)

This is used to apply pre-treatment liquid to the T-shirts. Using a roller makes it easier to apply the liquid better to uneven areas such as pockets, and wastes less liquid from splashing and so on compared to sprays. However, if the liquid is not applied evenly, the coloring may not be sufficient or it may uneven.

The optional pre-treatment roller set consists of the roller and handle (roller grip), and a tray.

We recommend the following items when using commercially available products.

Roller: Short bristled, polyester fiber with excellent absorption and release of liquid (such as a paint roller).

Roller handle: Made of rust-resistant aluminum

You also need a separate tray to allow the pre-treatment liquid to soak into the roller.

Sprayer (commercially available)

This is used to apply pre-treatment liquid to the T-shirts.

This allows you to apply quickly and easily compared to a roller. However, when spraying a mist on to T-shirts, the pre-treatment liquid is often wasted as it sprays beyond the edges of the T-shirt, you also need to secure a space to use the spray.

Prepare a sprayer that allows you to spray a fine mist (we recommend an electric sprayer).

Characteristics such as the range and uniformity of the spray depend on the type of pre-treatment liquid and sprayer, as well as the dilution ratio of the pre-treatment liquid. When using a sprayer, we recommend checking in advance if the liquid can be applied properly according to the pre-treatment liquid and pre-treatment conditions.

The following are used to filter out any coagulation that may occur when you store the cotton pre-treatment liquid.

Funnel (optional)

Funnel Filter (consumable)

Bottle (commercially available)

Before Printing

To maintain good print quality, perform the following inspection before starting printing operations each day.

Check the amount of ink remaining:

Check the amount of ink remaining on the screen, and replace the ink supply unit with a new one when the remaining ink is below the limit. When ink is running low, we recommend replacing the ink supply unit as soon as possible.

If an ink supply unit runs out while printing, you can continue printing after replacing it. However, if the ink supply unit is replaced during a print job, the tone of the print results may differ depending on the drying conditions.

 [“Replacing Ink Supply Units” on page 85](#)

Basic Printing

Checking for clogged nozzles

Before you start printing, we recommend confirming that the nozzles are not clogged. If the nozzles are clogged, do a **Head Cleaning**.

By clearing any clogged nozzles in advance, you can reduce the risk of printing with clogged nozzles or having to stop printing to handle clogged nozzles.

 [“Checking for clogged nozzles” on page 91](#)

 [“Head Cleaning” on page 93](#)

Shaking White Ink

Shake the ink supply unit when the message about shaking is displayed on the screen.

White ink may sediment (components settling to the bottom of the liquid) easier than other ink due to the ink characteristics. Sedimentation may cause print quality to decline and nozzles to become clogged.

 [“Shaking the Ink Supply Units Periodically” on page 90](#)

Pre-treatment

Apply pre-treatment liquid to the T-shirt when printing using White ink on cotton T-shirts, or when printing on polyester T-shirts. Applying pre-treatment liquid improves the color development for the ink.

When only printing with color ink on a cotton T-shirt, we recommend that you do not perform pre-processing as printed fabric can become too delicate for washing and rubbing.

Prepare a roller or sprayer to apply the liquid to the T-shirts.

 [“Preparation” on page 38](#)

Perform pre-processing in the following order.

Agitating pre-treatment liquid (polyester pre-treatment liquid only)



Opening the pre-treatment liquid



Filtering the cotton pre-treatment liquid (only when coagulation occurs)



Diluting the pre-treatment liquid



Applying the pre-treatment liquid



Fixing the pre-treatment liquid

Cautions when operating

Note the following cautions when performing pre-treatment operations. Read the safety data sheet before operating. You can download the safety data sheet from the Epson Web site.

URL: <https://www.epson.com>

Caution:

- ❑ Always wear protective eyewear, gloves, and a mask when working.
Should any pre-treatment liquid contact your skin or enter your eyes or mouth, immediately take the following actions:
 - ❑ If fluid adheres to your skin, immediately wash it off using large volumes of soapy water. Consult a physician if the skin appears irritated or is discolored.
 - ❑ If fluid enters your eyes, rinse immediately with water. Failure to observe this precaution could result in bloodshot eyes or mild inflammation. If problems persist, consult a physician.
 - ❑ If any enters your mouth, consult a physician immediately.
 - ❑ If fluid is swallowed, do not force the person to vomit and consult a physician immediately. If the person is forced to vomit, fluid may get caught in the trachea which can be dangerous.
- ❑ Store out of the reach of children.
- ❑ After work, wash your hands and gargle thoroughly.

Important:

- ❑ Make sure you are in a well ventilated location when applying pre-treatment liquid.
- ❑ Only prepare as much liquid as necessary for the current job. If you prepare more than required and leave it, it may harden.
- ❑ Do not store in high or freezing temperatures.
- ❑ Avoid direct sunlight. Store at normal room temperature.
- ❑ If pre-treatment liquid gets stuck to the print head, it could cause the printer to malfunction and print quality to decline. Make sure that liquid does not stick to the inside of the printer by accident during maintenance operations and so on.

Disposal method

Disposal of used consumables

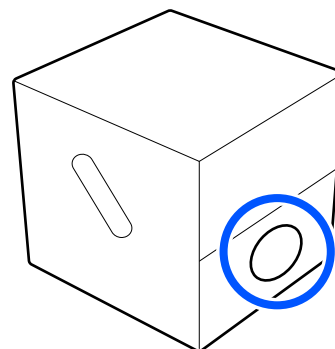
 "Disposal" on page 97

Agitating the polyester pre-treatment liquid

Follow the steps below to stir the polyester pre-treatment liquid before opening. If you use it without stirring, the effect of pre-treatment may not be sufficient.

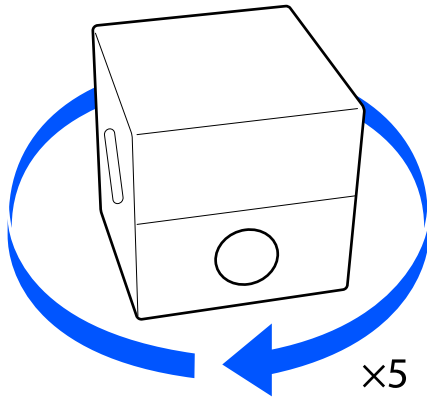
You do not need to stir after opening.

- 1** Place it on a flat surface with the section where the tap comes out at the side.

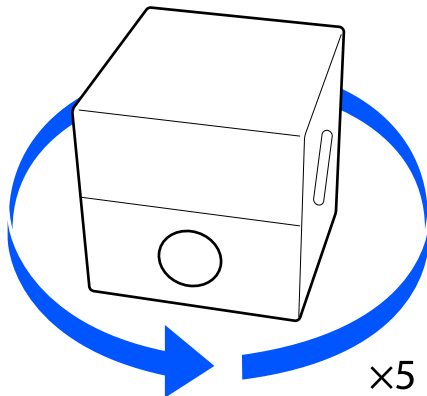


Basic Printing

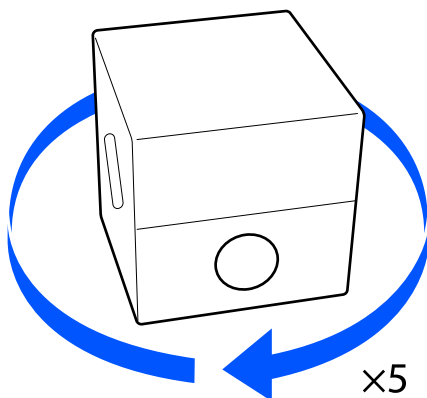
- 2** Turn it to the right five times.
Rotate at a speed of about one turn every two seconds.



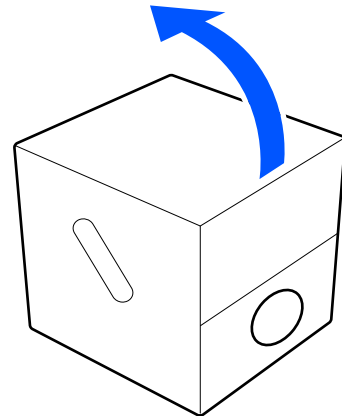
- 3** Turn it to the left five times.
Rotate at a speed of about one turn every two seconds.



- 4** Turn it to the right five times.
Rotate at a speed of about one turn every two seconds.

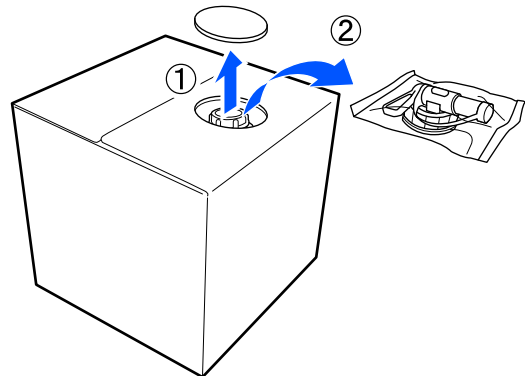


- 5** Turn the box so that the section where the tap comes out is at the top.

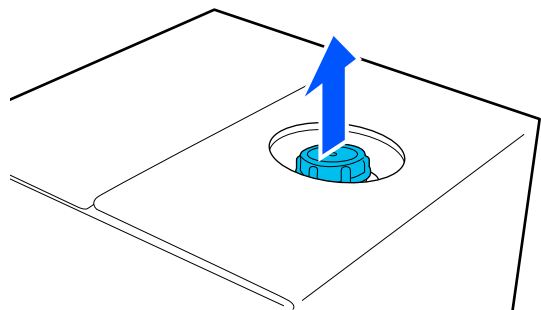


Opening the pre-treatment liquid

- 1** Cut the cardboard along the perforations, and then remove the tap from inside.



- 2** Pull the cap section out of the hole in the cardboard.

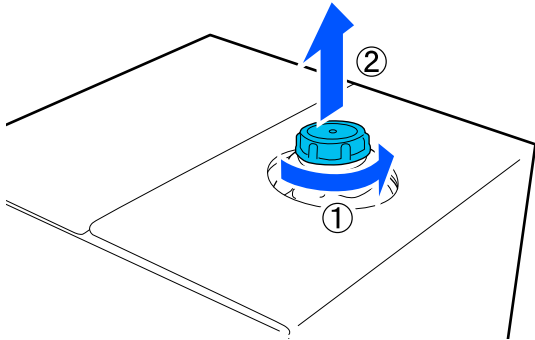


Basic Printing

! Important:

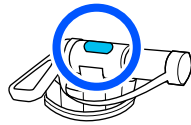
Make sure you pull the cap section out of the hole in the cardboard. If the cap is opened without being pulled out, the pre-treatment liquid may spill out.

3 Remove the cap.



4 Remove the tap from the bag and check that the hole is visible.

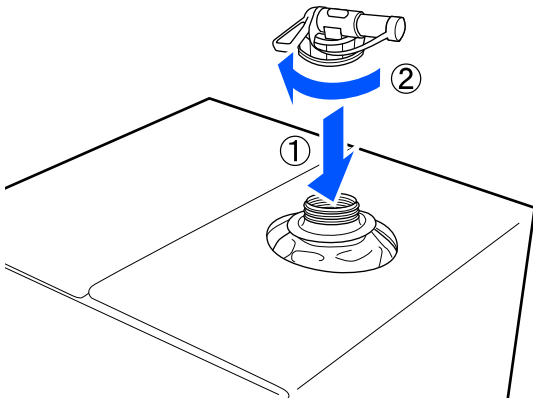
If you cannot see the hole, turn the tap's handle section until the hole is visible.



Note:

If you cannot see the hole or if the tap is damaged, contact the store where you purchased the product.

5 Attach the tap.

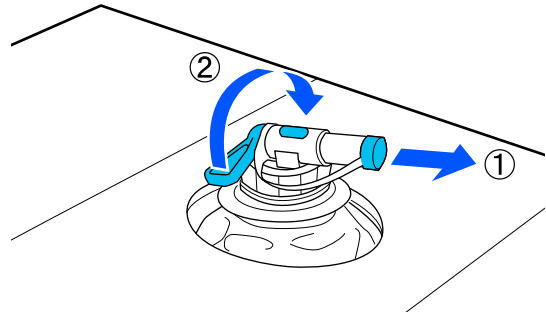


! Important:

Do not put waste liquid in the waste ink bottle as it will solidify if mixed with waste ink.

Pouring

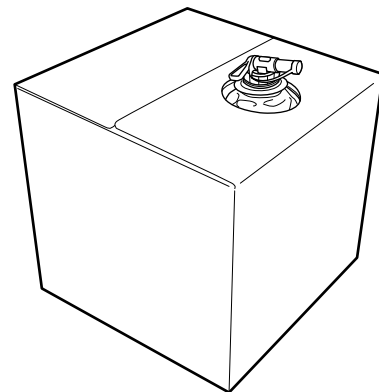
1 Remove the cap from the tap, and then turn the lever until the hole is facing down.



2 Tip the cardboard or the container and pour the pre-treatment liquid into the target container.

3 When you have finished pouring liquid, reverse the steps in step 1 to put the cap for the tap back on the tap.

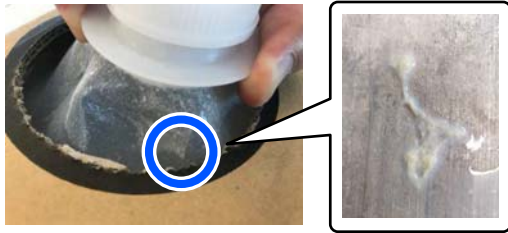
4 Make sure you keep the mouth of the tap facing up as shown in the illustration.



Basic Printing

Filtering the cotton pre-treatment liquid (only when coagulation occurs)

During storage, the cotton pre-treatment liquid may develop a white coagulation as shown in the image.



This is a result of coagulation of the fixing component in the pre-treatment liquid. If you use the pre-treatment liquid with coagulation as it is, the print results will be uneven. Therefore, you need to filter it to remove the coagulation before use.

You need a dedicated funnel and filter as well as a commercially available bottle for filtration. Prepare the necessary items, and then follow the steps in the next section.

Funnel and filter

[☞ “Options and Consumable Products” on page 129](#)

Notes on filtering

- ❑ Replace the filter with a new one after filtering every one liter of pre-treatment liquid.
- ❑ Do not reuse a filter once it has been used even if the amount you have filtered is less than one liter. If you reuse the filter, any dry pre-treatment liquid attached to the filter may become mixed in and cause unevenness to occur.
- ❑ Use the filtered pre-treatment liquid within four days.
- ❑ Make sure you perform filtration within the operating temperature range of the pre-treatment liquid.
Operating temperature
[☞ “Specifications Table” on page 147](#)

Preparation

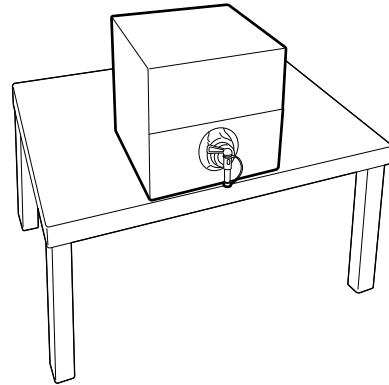
- ❑ Cotton pre-treatment liquid

- ❑ Funnel (optional)
- ❑ Funnel Filter (consumable)
- ❑ Bottles with a capacity of at least one liter (commercially available)

We recommend that you use a bottle with a scale or other markings that make it clear when you have reached one liter.

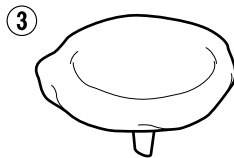
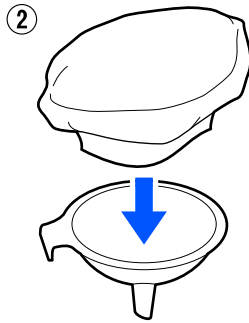
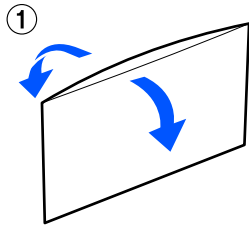
Filtering

- 1 Place the pre-treatment liquid on the top edge of a table with the spout pointing down.

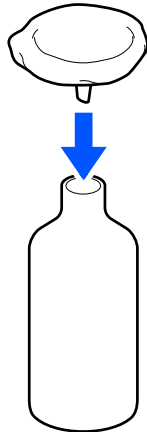


Basic Printing

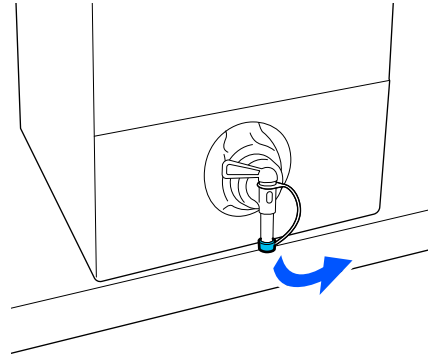
- 2** Open out a new filter, and then place it over the funnel as shown in the illustration.



- 3** Insert the funnel into the mouth of the bottle.

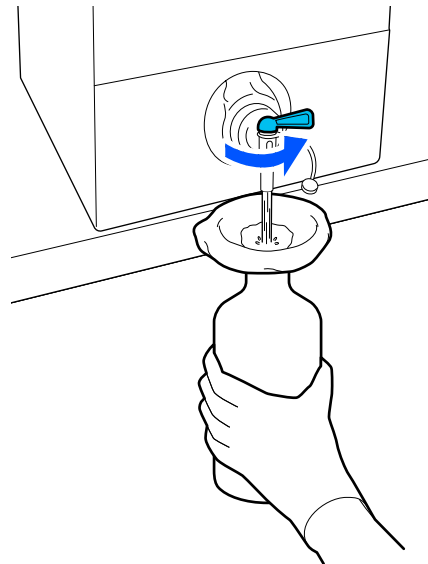


- 4** Remove the cap from the spout of the pre-treatment liquid.



- 5** Open the lever to pour one liter of the pre-treatment liquid into the bottle through the filter.

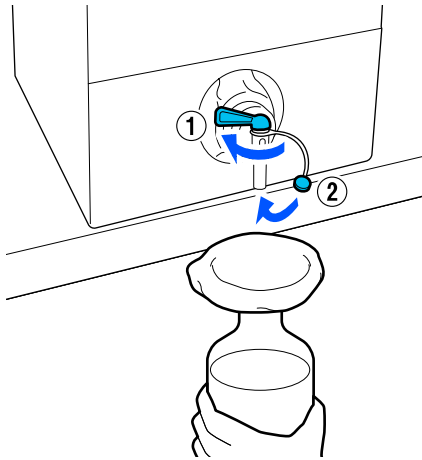
Be careful not to overfill the filter with the pre-treatment liquid, otherwise it will overflow.



If there is only a small amount of pre-treatment liquid remaining, tilt the cardboard container to pour it in.

Basic Printing

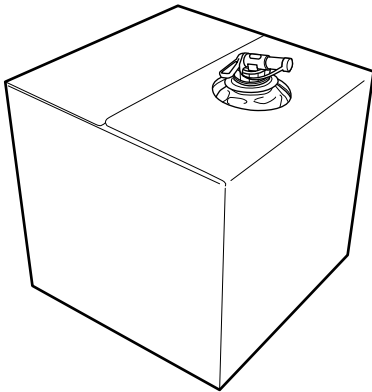
- 6** After pouring one liter, close the lever to stop the liquid from flowing, and then replace the spout cap.



If you want to filter more pre-treatment liquid, replace the filter with a new one, and then repeat the procedure from step 2.

- 7** You can now transfer the pre-treatment liquid in the bottle to the intended container for use.

- 8** Store the cardboard pre-treatment liquid container with the spout facing up as shown in the illustration.



Cleaning and disposal

Rinse the used funnel and bottle with water, and then wipe it dry with a soft, dry cloth.

When rinsing with tap water, make sure you rinse with pure water at the end. If they are not rinsed with pure water, components of the tap water can cause coagulation.

Always dispose of used filters, do not re-use them.

Disposal of used consumables

"Disposal" on page 97

Diluting the pre-treatment liquid

Apply the diluted or undiluted pre-treatment liquid to the T-shirt. Whether or not the liquid is diluted and the dilution ratio depend on the pre-treatment liquid, the ink used, and the device for fixing ink; so be sure to follow the information in the next section. When diluting, be sure to use distilled or purified water.

Cotton pre-treatment liquid

Be sure to dilute the cotton pre-treatment liquid before use. As the dilution ratio differs according to the type of device for fixing ink, use the following information to determine the dilution ratio.

When fixing ink with a heat press

Dilute by a factor of two. (Pre-treatment liquid: Pure water = 1:1)

When fixing ink with an oven

Dilute by a factor of three. (Pre-treatment liquid: Pure water = 1:2)

Adjusting for the appropriate dilution ratio

The following issues may occur if the dilution ratio is not appropriate.

- If the pre-treatment liquid is not diluted or the dilution ratio is too low (pre-treatment liquid is too strong)
 - Traces of pre-treatment liquid are noticeable in the prints.
 - The printed surface cracks after washing. (Washing fastness deteriorates)
- If the dilution ratio is too high (pre-treatment liquid is too weak)
 - Ink does not stay on the fabric, causing uneven coloring.
 - Standing fibers cannot be adequately flattened resulting in uneven print results.

Basic Printing

If this issue occurs, adjust the dilution ratio within the following range while checking the ink fixing results.

- ❑ When fixing ink with a heat press
 - ❑ Printing area is A4 or smaller: Dilute by a factor of two to three
 - ❑ Printing area is larger than A4: Dilute by a factor of two to four
- ❑ When fixing ink with an oven
 - ❑ Dilute by a factor of three to four

Polyester pre-treatment liquid

Polyester pre-treatment liquid can be used diluted or undiluted according to the type of ink used as shown below. When diluting the liquid, follow the guide below irrespective of the type of device for fixing ink being used.

When using White ink

Use the liquid as it is without diluting.

When using Color ink only

Dilute by a factor of seven. (Pre-treatment liquid: Pure water = 1:6)

Applying the pre-treatment liquid

Amount of pre-treatment liquid to apply

Apply the pre-treatment liquid to the T-shirt with a roller or sprayer.

Apply approximately 15 g (0.5 ounces) of pre-treatment liquid to printing areas of A4 size.

Note:

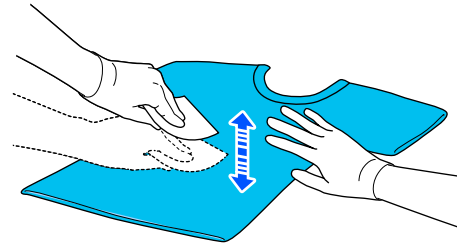
Depending on the properties of the material, traces of the pre-treatment liquid may be visible after performing ink fixing when you apply pre-treatment liquid by using a roller. If this does happen, you may be able to improve the results by using a sprayer instead of a roller.

Applying with a roller

To prevent T-shirt fibers on the roller from sticking to other T-shirts, use a different roller for each color on the T-shirt.

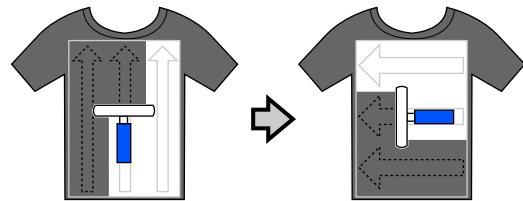
 [“Options and Consumable Products” on page 129](#)


- 1 Fill the tray with pre-treatment liquid and dip the roller in it.
- 2 Spread out the T-shirt on a flat surface.
- 3 Use sticky tape (a roller) and so on to remove lint from the area to which you will apply the pre-treatment liquid.



- 4 Squeeze the pre-treatment liquid out of the roller by pressing it against the edge of the tray, and apply the liquid evenly.

We recommend applying to an area larger than the target print area.



- 5 Fix the pre-treatment liquid with the heat press.  [“Fixing the pre-treatment liquid” on page 48](#)

Basic Printing

Applying with a sprayer

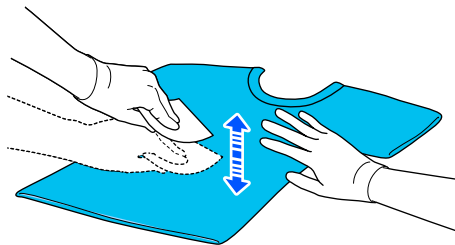
! Important:

Depending on the type of sprayer, it may create a mist when applying the pre-treatment liquid. Wear a mask, protective eye-wear, and gloves as required, and make sure the area is well ventilated while working with the pre-treatment liquid.

Mist could also enter the printer which could cause a breakdown or malfunction to occur. If necessary, install the sprayer at a location away from the printer.

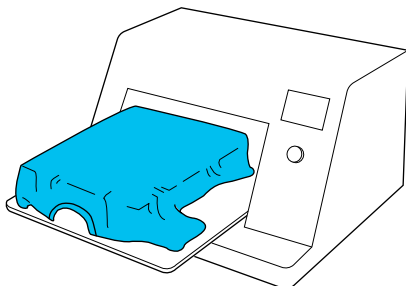
For details on using the sprayer, see the manual supplied with the sprayer.

- 1 Pour the pre-treatment liquid into the sprayer.
- 2 Spread out the T-shirt on a flat surface.
- 3 Use sticky tape (a roller) and so on to remove lint from the area to which you will apply the pre-treatment liquid.



- 4 Load the T-shirt into the sprayer, and then spray the pre-treatment liquid evenly over the printing surface.

We recommend applying to an area larger than the target print area.



Note:

You can apply the liquid evenly if you run the roller over the area after spraying.

- 5 Fix the pre-treatment liquid with the heat press. [“Fixing the pre-treatment liquid” on page 48](#)

Fixing the pre-treatment liquid

Use the heat press to remove creases from the T-shirt and to fix the pre-treatment liquid. Because the oven does not press the fibers down, the printed surface does not become even which causes creases and unevenness in color. When fixing the pre-treatment liquid by using a heat press, place a heat-resistant release sheet, such as silicone paper, between the T-shirt and the surface of the press to prevent the pre-treatment liquid from sticking to the surface of the press.

As the optimum conditions vary depending on the amount of pre-treatment liquid, the following values are only a guide.

Fixing conditions for cotton pre-treatment liquid

Temperature	Time	Pressure*1
170°C (338°F)	45 seconds*2	4.2 N/cm ²

*1 The optimum conditions vary depending on the type of heat press such as the manual adjustment type. Be sure to test the ink fixing result in advance to find the right pressure.

*2 If the application area for the pre-treatment liquid is larger than A4, it may not dry even after 45 seconds. Try extending the time up to 90 seconds while checking if the pre-treatment liquid is dry.

Fixing conditions for polyester pre-treatment liquid

Temperature	Time	Pressure*1
130°C (266°F)	60 seconds*2	3.0N/cm ²

- *1 The optimum conditions vary depending on the type of heat press such as the manual adjustment type. Be sure to test the ink fixing result in advance to find the right pressure.
- *2 If the application area for the pre-treatment liquid is larger than A4, it may not dry even after 60 seconds. Try extending the time up to 90 seconds while checking if the pre-treatment liquid is dry.



Important:

- Make sure you dry the pre-treatment liquid thoroughly. Insufficient drying time may cause the print quality to decline.*
- Do not wet the T-shirt or leave it in a humid location for a long time after fixing the pre-treatment liquid. Color development deteriorates in the wet areas causing unevenness.
If the T-shirt is left for an extended period of time, press for 5 to 10 seconds to dry it just before printing.*

Note:

If traces of the pre-treatment liquid are visible, try washing in water; however, the effects depend on the material of the T-shirt.

Basic Printing

Creating and Sending Jobs

You cannot print directly from commercially available software.

Send jobs to the printer through the specialized application (Garment Creator 2) for printing.

Workflow for Creating and Sending Jobs

The following shows the basic work procedure for using Garment Creator 2, which is provided to create and print jobs.

See the Garment Creator 2 manual for more details on preparing and creating jobs.

1 Prepare

Selecting a printer	Select a printer (printer for printing jobs) to which to send the jobs you created. Normally, you only do this the first time.
---------------------	--



Ink Density	To get the best print results, we recommend that you adjust the Ink Density for the first T-shirt you print before you start doing the actual print job. See the Garment Creator 2 manual for details on the adjustment procedures.
-------------	---

2 Create jobs

Selecting the base color (T-shirt type)	To make the best use of the base color of the T-shirt on which you are printing, and to print using an efficient amount of ink, select an appropriate type of T-shirt.
---	--




Image arrangement	Do settings while checking in the preview area the position, size, and direction of the image you are printing.
-------------------	---



Sending jobs to the printer	Specify the number of prints, and then send the job to the printer that you selected.
-----------------------------	---

3 Print (operate with printer)


Start printing	Load a T-shirt on the platen, and then print.  "Load the T-shirt (media)" on page 61
----------------	--

Sending and printing jobs

Follow the steps below to send jobs created in Garment Creator 2 to the printer.

- 1 Specify the number of prints at the bottom of the Garment Creator 2 settings area, and then click the **Print** button.



- 2 When the printer has finished receiving a job, the preview display opens on the printer's screen and the  button lights.

See the following, and load a T-shirt (media) and start printing.

 [“Load the T-shirt \(media\)” on page 61](#)

Notes on Receiving Jobs

Only the following operations are possible while is receiving jobs. If buttons do not respond when operating the control panel, the printer may be receiving a job; wait for a while and then try again.

- Canceling a job
- Moving the movable base (platen)
- Turning off the power

Note:

- After canceling a job, it takes a while before the printer is ready to print again.
- It takes a while to turn off the printer after performing the power off operation. Also, jobs that have been received are deleted.

Preparing the Platen

The following explains preparations for four points.

Grip pad covered platen (first time only when printing on cotton T-shirts)

When printing on cotton T-shirts, we recommend attaching a grip pad when using the platen supplied with the printer or the optional L, M, and S size platens.

Using a grip pad covered platen prevents the T-shirt (media) from moving around easily during printing which reduces print misalignments.

When printing on polyester T-shirts, do not attach a grip pad. Otherwise, the fabric of the platen may be soiled with ink while printing.

The next section explains how to attach the grip pad to the platen.

The printer comes with a grip pad that you can attach to a platen. For the optional L, M, and S size platens, purchase consumable grip pads and attach them to the platens.


Do not attach grip pad to the XS size, sleeve, and medium grooved platens.

When using platens without attaching a grip pad, make sure you load the platen using the platen frame supplied.

Switching medium grooved platens according to media (only for medium grooved platens)

Use the medium grooved platen when printing on polo shirts or shirts with zippers.

When printing on media with a protruding section in the center such as a zipper, remove the square part from the top section in advance.

 [“Switching from Polo to Zipper \(only when using the medium grooved platen\)” on page 54](#)

Basic Printing

Replacing platens

There are nine platens available according to the size of the T-shirt and the area you want to print. When changing the size or area of the T-shirt being printed on, make sure you replace the platen with the appropriate platen in advance.

 [“Replacing platens” on page 55](#)

Attaching and removing spacers

Depending on the thickness of the fabric being printed, you may need to adjust the platen height by attaching and removing spacers. See the following for more details.

 [“Attaching and Removing Spacers” on page 59](#)

Attaching/Removing a Grip Pad

Grip pads are consumable items. If it gets dirty, purchase a new pad and replace it.

 [“Options and Consumable Products” on page 129](#)

Attaching the Pad

The procedure varies depending on the platen you are using.

Standard platen

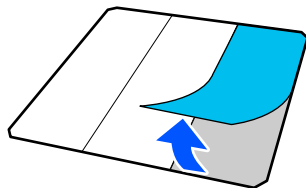
See the video manuals for the SC-F2100 Series.

[Epson Video Manuals](#)

Hanger platen

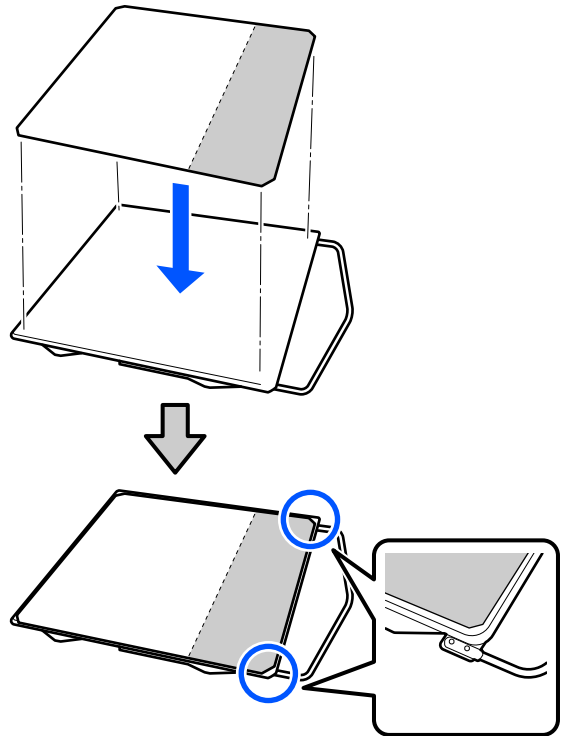
Follow the steps below.

- 1 Only peel off one section on the back of the grip pad as shown in the illustration.

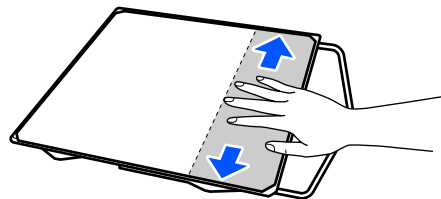


- 2 Place the platen on a flat surface, align the corners of the grip pad so they are slightly inside the corners of the platen, and then fasten the adhesive side of the grip pad to the platen.

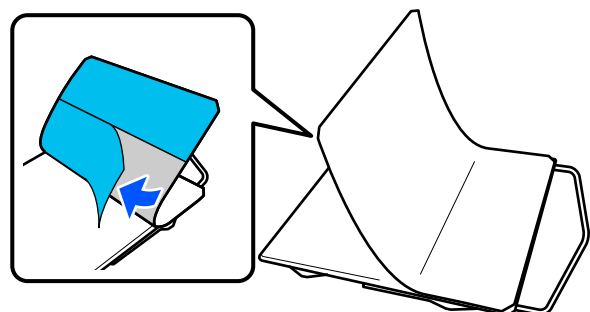
Do not allow the corners of the grip pad from which the back has not been removed to protrude from the edges of the other side of the platen.



- 3 Gently press on the section from which the back has been peeled off the grip pad to stick the grip pad onto the platen.

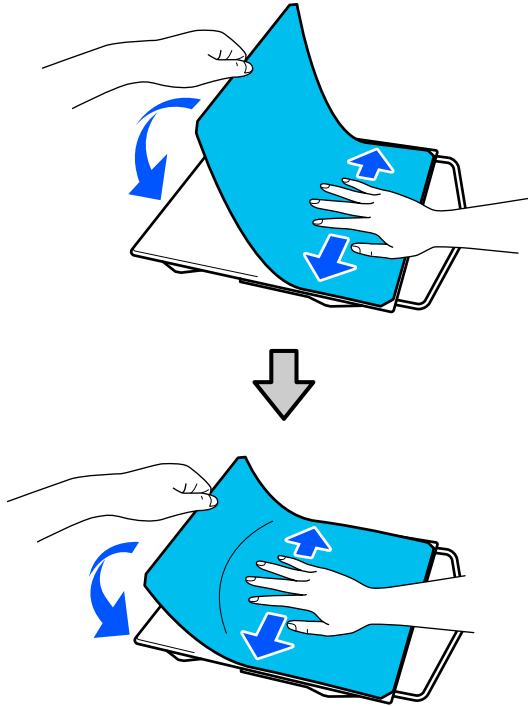


- 4 Peel off all of the other sections on the back of the grip pad as shown in the illustration.



Basic Printing

- 5** Stick it from the end that is already stuck, as shown in the illustration.



Removing the Sheet

! **Important:**

- Do not apply hot air such as a drier to soften the glue. Failure to observe this precaution could result in deformed parts.
- Do not use organic solvents such as alcohol. Failure to observe this precaution could result in discoloration, warping, or damage to parts.

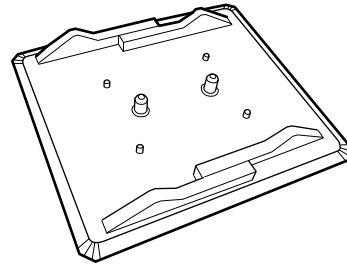
Note:

Pads that have been stuck to the platen for a long time may be hard to peel off. In this case, use a commercially available spatula for peeling off labels.

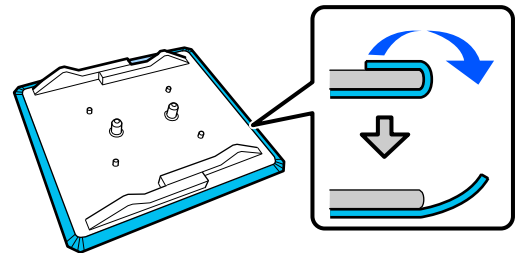
The procedure varies depending on the platen you are using.

Start from step 1 for a standard platen, and from step 3 for a hanger platen.

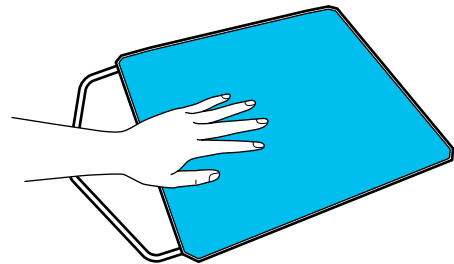
- 1** Place the platen face down on a flat surface.



- 2** Unfold the cloth sheet from around the back edges of the platen.

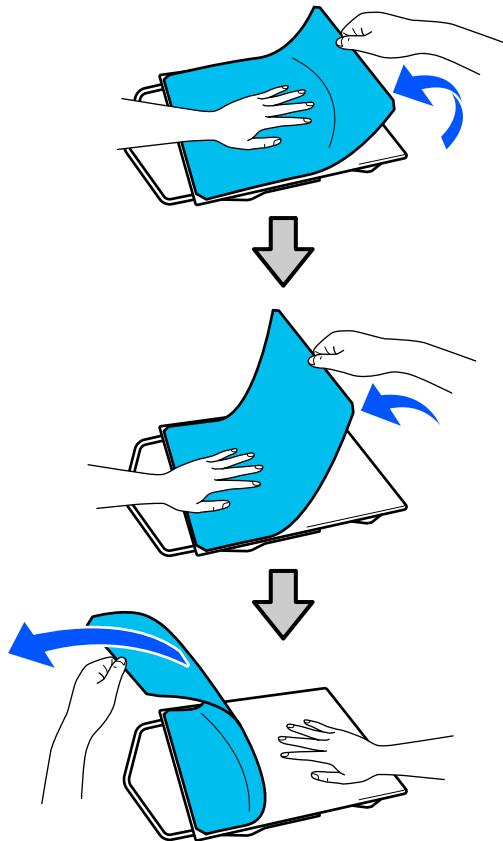


- 3** Place the platen on a flat surface with the surface visible, and then press on the front side.



Basic Printing

4 Peel off the grip pad from back to front.



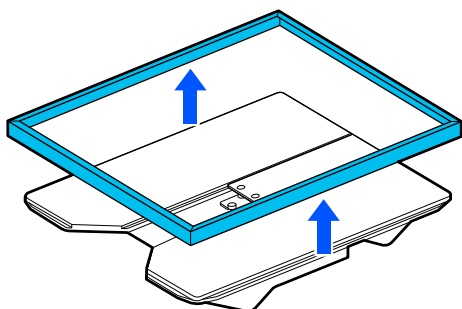
If any glue remains on the platen, soak a soft cloth in a diluted neutral detergent, wring it out thoroughly, and then wipe off the glue.

Switching from Polo to Zipper (only when using the medium grooved platen)

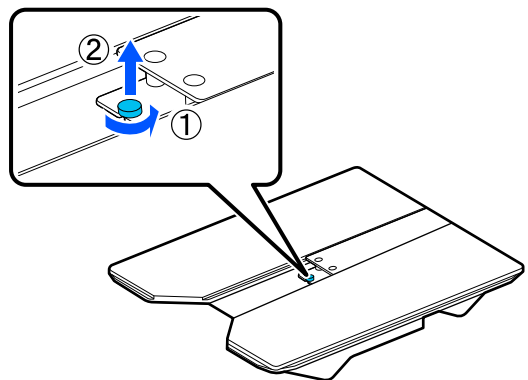
When loading media with a protruding section in the center such as a zipper, remove the square part before use.

For other media, install the square part.

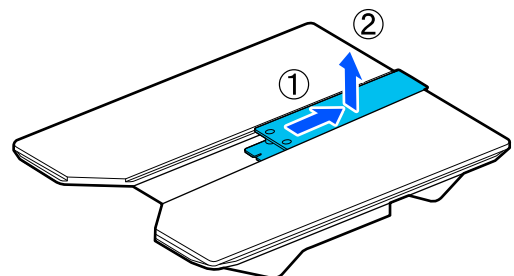
1 Remove the platen's frame.



2 Remove the screw.



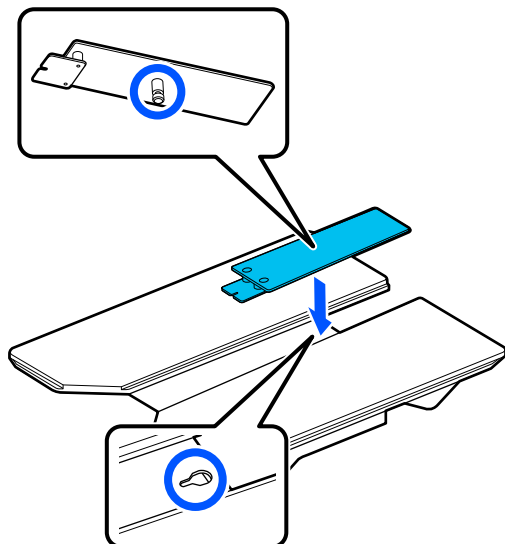
3 Remove the parts.
Slide in the direction shown in (1), and then remove it.



You need the removed screw and parts when loading polo shirts and so on. Store them in a safe place. We recommend keeping the screw attached to the platen.

To install the parts, perform the removal procedure in reverse.

Note:
When installing, align the protruding shaft with the hole as shown in the following illustration.

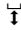


Basic Printing

Replacing platens

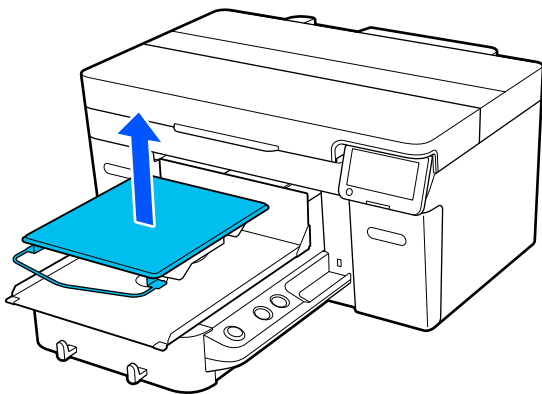
- 1 Check that the platen is ejected forward.

Note:

If the platen does not move forward, press the  button to move it forward.

- 2 Turn off the printer.

- 3 Grip the left and right of the platen, and lift it straight up to remove it.

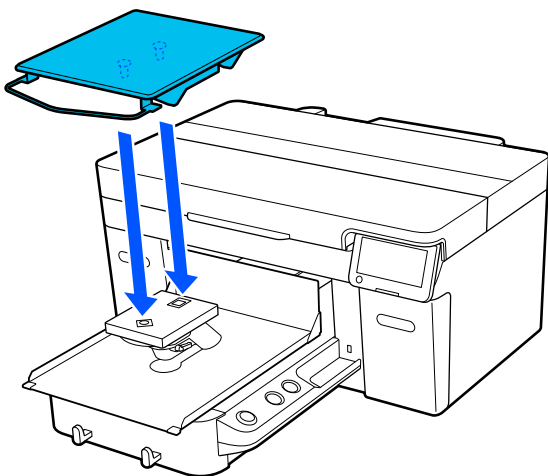


- 4 Make sure the protruding shaft of the replacement platen fit into the holes.

Platens other than the standard platen have a specific orientation for installation as shown in the illustrations below.

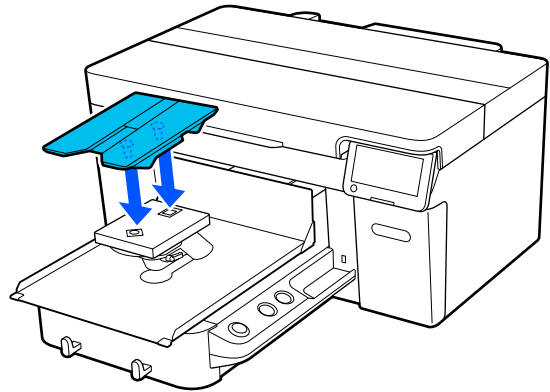
Hanger platen

Install so that the hanger is at the front.



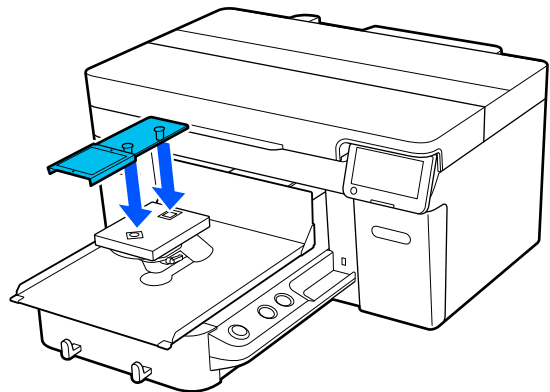
Medium grooved platen

Install so that the cut out section is at the front.

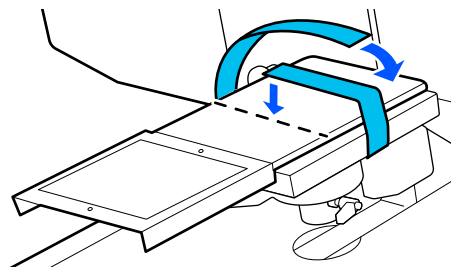


Sleeve platen

- (1) Install the platen in the orientation shown in the illustration.

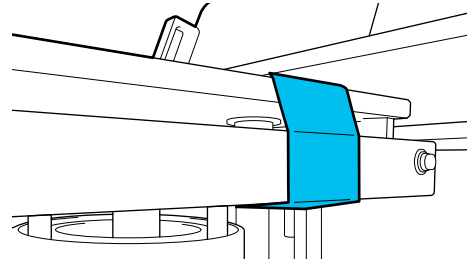


- (2) Align the fixing band with the groove on the top of the platen and wind it tightly.



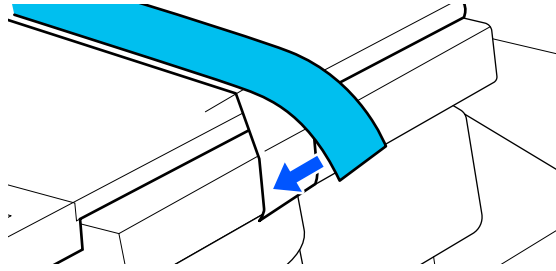
Note the following two points when winding.

- ❑ Pass the fixing band under the platen installation plate.



- ❑ Make sure the end of the fixing band is on the side of the platen.

Basic Printing



Determining the Height of the Platen

This printer is equipped with a function that uses a sensor to determine the height of the media surface loaded on the platen, and automatically adjusts to the optimum print head height (platen gap) for printing. To use this function, the platen height must be optimized according to the type of platen used and the thickness of the media to be loaded on the platen.

Always perform platen height optimization when using the printer for the first time or when changing between media with different platen types or thicknesses.

Determine the appropriate platen height for the media in the following steps.

1. Check the type of spacer and platen height (scale) appropriate for the media thickness

Check the spacer combinations and the scale of the platen gap lever according to the platen and thickness of the media you will be using.

[“Checking Spacer Combinations and Platen Height \(Scale\)” on page 56](#)



2. Attach and remove spacers and change the platen height

Make the following changes according to the results in step 1.

[“Attaching and Removing Spacers” on page 59](#)

[“Changing the Height of the Platen” on page 60](#)

Checking Spacer Combinations and Platen Height (Scale)

Select one of the following conditions, and check the spacer combination and platen height (position of the scale on the platen gap lever) appropriate for the thickness of the media you will be using.

Note:

When loading media flat on the platen (with the front and back of the T-shirt on top of each other), check the thickness of the front and back fabric.

- When the media thickness is up to 2 mm (0.08in.)**

[“When the media thickness is up to 2 mm \(0.08in.\)” on page 56](#)

- When the media thickness is 2 mm (0.08in.) or more, or if you are not sure**

[“When the media thickness is 2 mm \(0.08in.\) or more, or if you are not sure \(Platen Height Adjustment\)” on page 57](#)

When the media thickness is up to 2 mm (0.08in.)

A typical T-shirt or polo shirt is about 2 mm (0.08in.) thick. When using only media that is up to 2 mm (0.08in.) thick, you can continue to use it under the following conditions.

When using the hanger platen or the standard platen

Spacers to be attached	Both A and B
Scale for the platen gap lever	P

When using the sleeve platen or the medium grooved platen

Spacers to be attached	B only
Scale for the platen gap lever	P

Basic Printing

Note:

If the message **The position of the media surface is too high.** is displayed on the control panel screen when printing starts, either the media is loaded incorrectly or the thickness of the media exceeds 2 mm (0.08in.).

See the following if the message continues to appear even after re-loading the media.

☞ “When the media thickness is 2 mm (0.08in.) or more, or if you are not sure (Platen Height Adjustment)” on page 57

When the media thickness is 2 mm (0.08in.) or more, or if you are not sure (Platen Height Adjustment)

Check the optimum platen height for the media in the printer's **Platen Height Adjustment** menu.

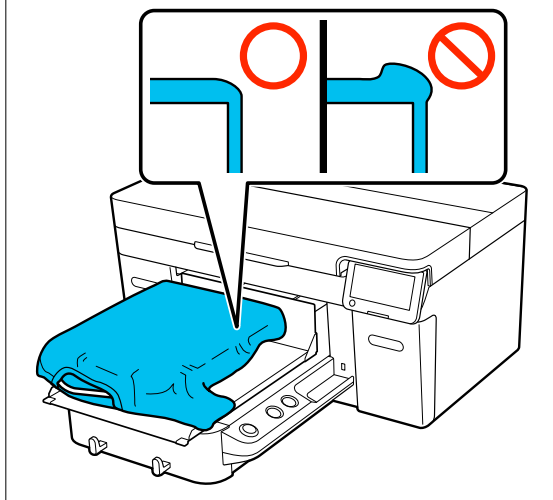
See the following for the adjustment procedure.

- 1 Load the media on the platen that will actually be used for printing.

! Important:


The **Platen Height Adjustment** is adjusted to match the media loaded in the printer.

Load the media so that it is flat with no slack or creasing on the media surface as shown in the illustration.



☞ “Replacing platens” on page 55

☞ “Load the T-shirt (media)” on page 61

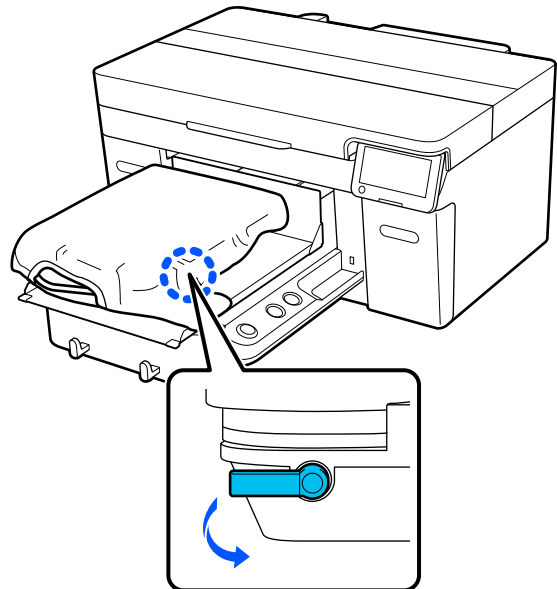
- 2 Select the  (menu) - **Platen Height Adjustment**.

When using the hanger platen or the standard platen:
Proceed to step 4.

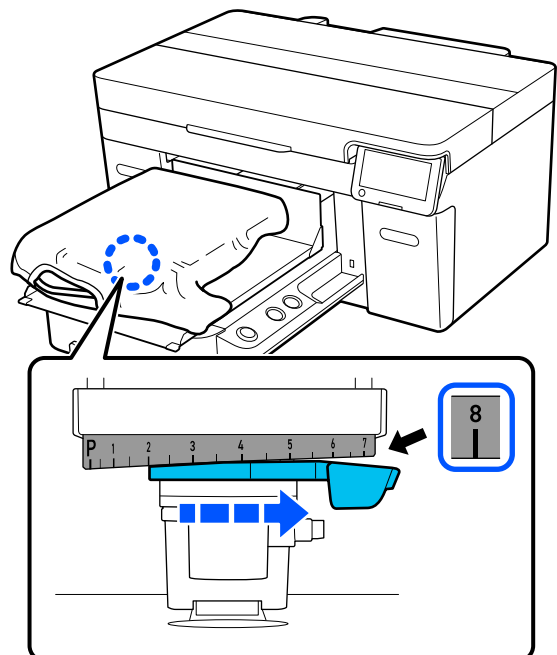
When using the sleeve platen or the medium grooved platen:
Proceed to the next step.

- 3 Select **Settings**, select the type of platen being used, and then close the screen.

- 4 Loosen the fixing lever of the platen gap lever.



- 5 Move the lever to the right to set the scale to 8.



Basic Printing

6 Press **Done**, and then press **Start** on the next screen.

The platen is pulled into the printer.

If one of the following messages is displayed on the control panel screen, you need to change the combination of spacers.

- ❑ **The position of the media surface is too high.**
- ❑ **Cannot move the movable base.**

See the following table to change the combination of spacers, and then start adjusting again from the beginning.

 [“Attaching and Removing Spacers” on page 59](#)

When using the hanger platen or the standard platen


Media thickness*	Spacers
6 mm to 12 mm (0.24 to 0.47in.)	Attach to A only
12 mm to 16 mm (0.47 to 0.63in.)	Attach to B only
16 mm to 24 mm (0.63 to 0.94in.)	Remove all

* When using a platen without a grip pad, 1 mm (0.04in.) thicker than the values stated in the table is acceptable.

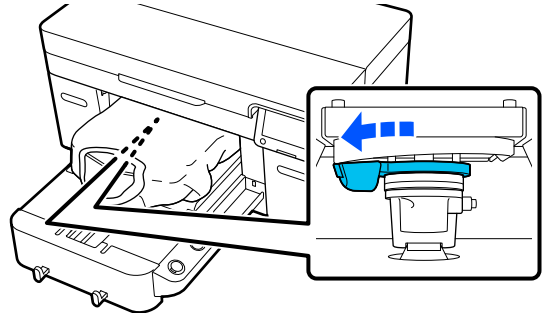
When using the sleeve platen or the medium grooved platen

Media thickness	Spacers
7 mm to 14 mm (0.28 to 0.55in.)	Remove all

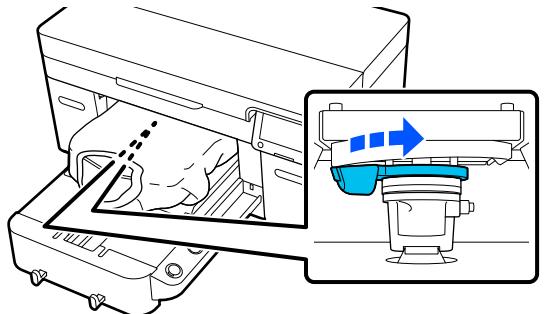
If you cannot perform adjustments even after changing the combination of spacers, measure the media thickness and see the following.

 [“Image quality is not stable even when printing under the same conditions / **The position of the media surface is too high.** is displayed even when printing on the same media / **Platen Height Adjustment** is not performed successfully” on page 125](#)

7 Move the lever to the left by one notch on the scale to locate the position where the error sounds (a beep is heard) and **The position of the media surface is too high.** is displayed on the screen.

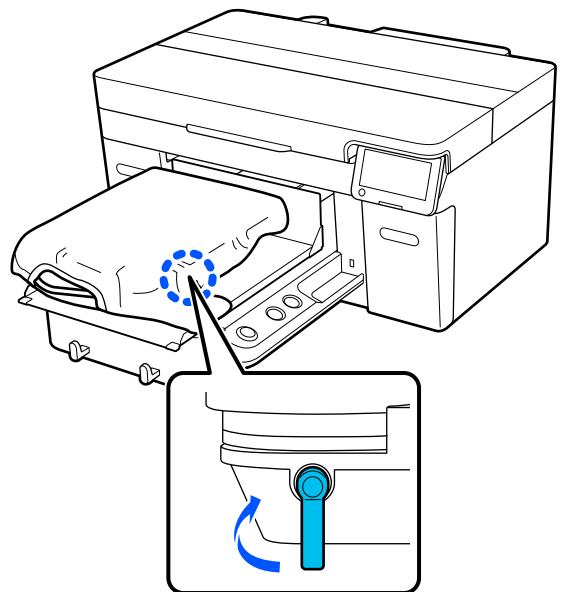


8 Move the lever one notch to the right to locate the position where the error sound stops.



9 Press **OK**, and then press **Done** on the next screen.

10 Tighten the fixing lever, and then secure the platen gap lever.

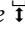


Basic Printing

Attaching and Removing Spacers

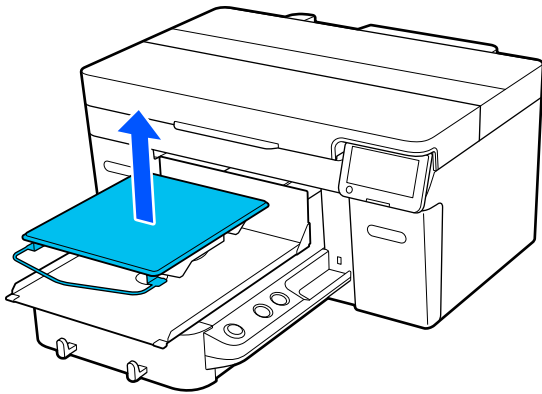
- 1 Check that the platen is ejected forward.

Note:

If the platen does not move forward, press the  button to move it forward.

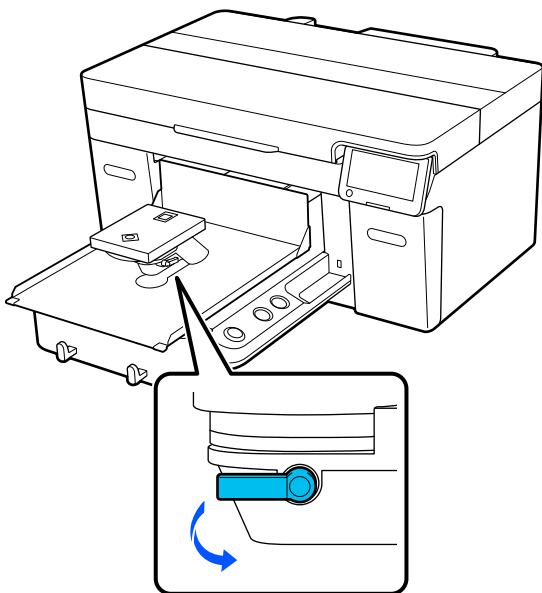
- 2 Turn off the printer.

- 3 Grip the left and right of the platen, and lift it straight up to remove it.

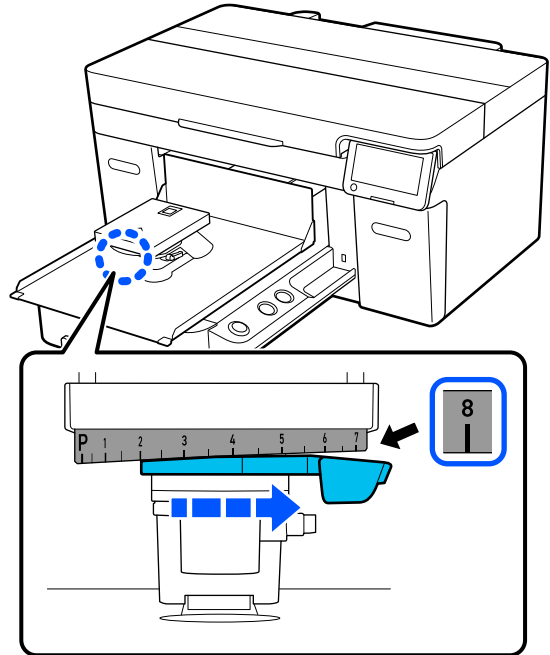


When the sleeve platen is installed, remove the fixing band before lifting the platen.

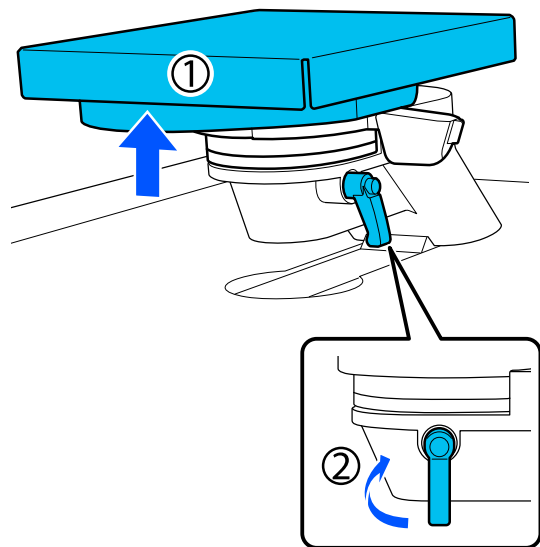
- 4 Loosen the fixing lever.



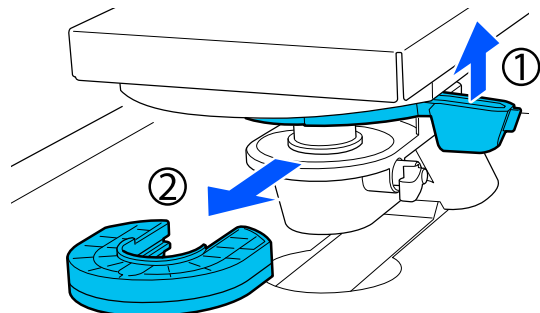
- 5 Move the lever to the right to set the scale to 8.



- 6 Tighten the fixing lever while lifting the ① part shown in the illustration, to secure the platen gap lever in the raised position.



- 7 Lift the platen gap lever and remove the spacer.

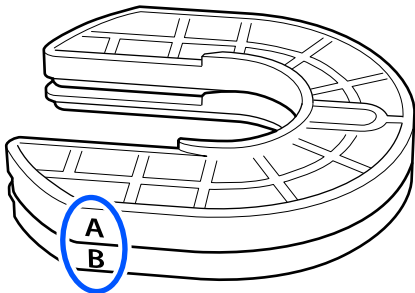


Basic Printing

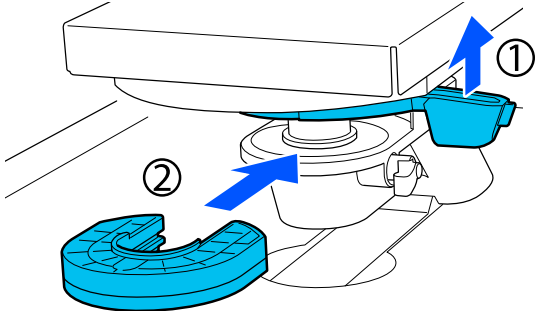
- 8** Combine spacers according to the type of platen being used and the thickness of the media.

☞ “Table of Supported Label Scales and Media Thickness” on page 141

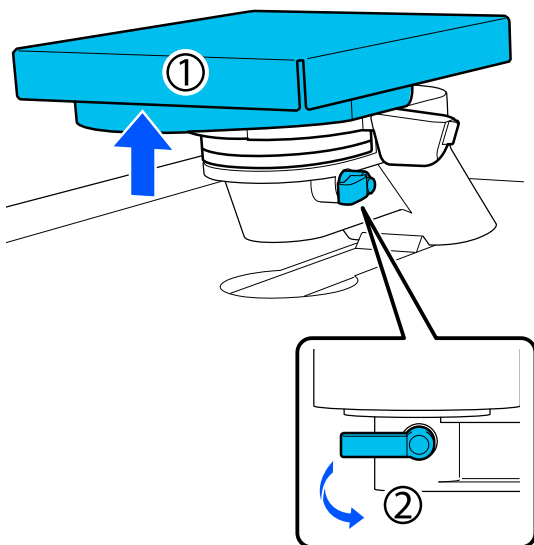
The letters A or B are stamped on the side of the spacers. When using two spacers, stack them as shown in the illustration so that the letters can be read.



- 9** Lift the platen gap lever and attach a spacer.



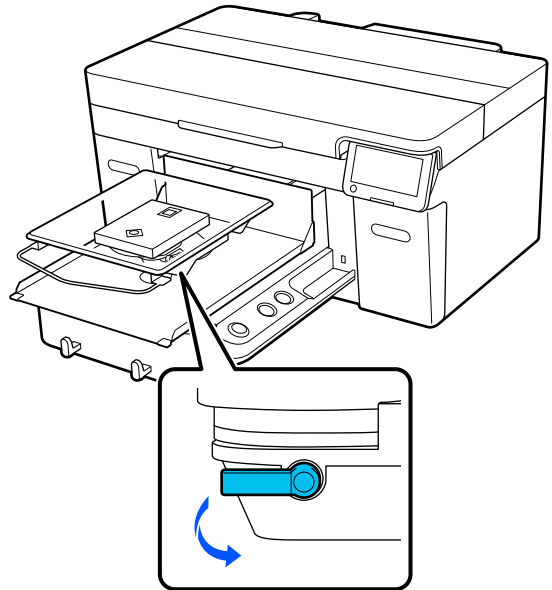
- 10** Loosen the fixing lever while lifting the ① part shown in the illustration.



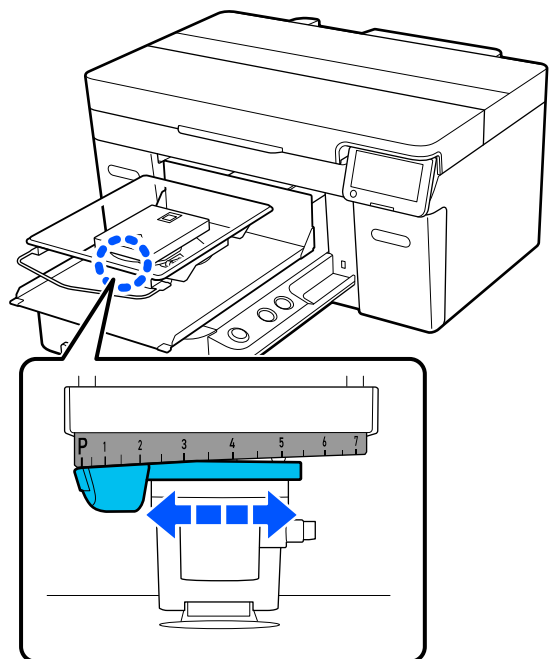
- 11** Release the part that was lifted in the previous step, and then tighten the fixing lever again to secure the platen gap lever.

Changing the Height of the Platen

- 1** Loosen the fixing lever.



- 2** Move the lever to set the scale to the desired position.



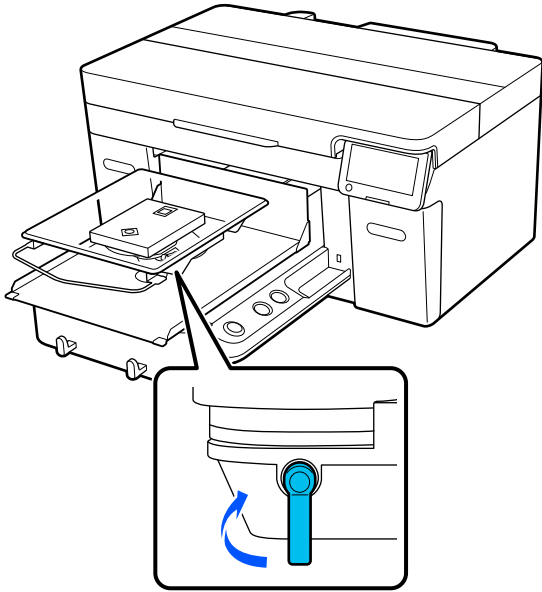
When the scale is at P, the platen is at its highest; the higher the number, the lower the platen.

Basic Printing

Moving the lever to the right when you view the printer from the front, switches to a higher number and lowers the height of the platen.

Moving the lever to the left when you view the printer from the front, switches to a smaller number and raises the height of the platen.

- 3** Tighten the fixing lever, and then secure the platen gap lever.



Load the T-shirt (media)

If you notice any creases on the T-shirt, use the heat press to iron them out before you load them on the platen.

Load polyester T-shirts on a platen that is not covered with a grip pad. If you load them on a platen that is covered with a grip pad, there is a risk that the fabric of the platen may be stained with ink while printing.

See the next section for how to load T-shirts on a grip pad covered platen.

See the following for how to load T-shirts on a platen that is not covered with a grip pad.

L/M/S/XS size platens

[☞ "Loading on a Platen without a Grip Pad" on page 64](#)

Sleeve platen

[☞ "Loading on Sleeve Platens" on page 66](#)

Medium grooved platen

[☞ "Loading on Medium Grooved Platens" on page 67](#)

Loading on a Grip Pad Covered Platen

This section explains how to load a T-shirt over a hanger platen.

You can check the procedure in a video on YouTube.

[Epson Video Manuals](#)

Note:

For details on how to load a T-shirt flat on the standard platen (with the front and back of the T-shirt on top of each other), see the video manual "Loading a T-shirt (on the grip pad covered platen)" for the SC-F2100 Series.

[Epson Video Manuals](#)

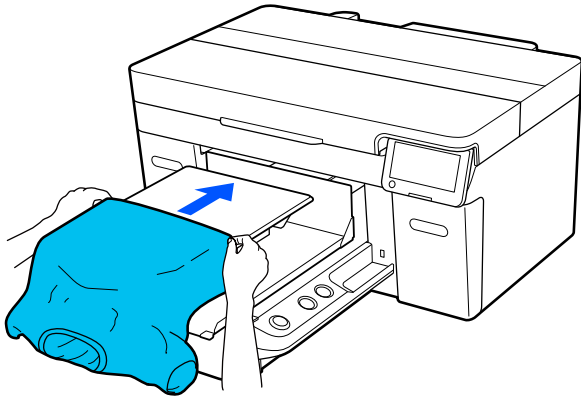
- 1** Press the  button to turn on the printer.

Basic Printing

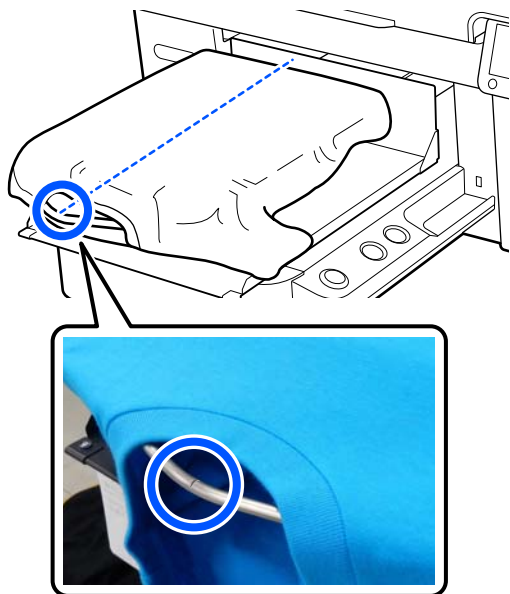
- 2** Check that the platen is installed.
See the following if the platen is not installed.

 [“Replacing platens” on page 55](#)

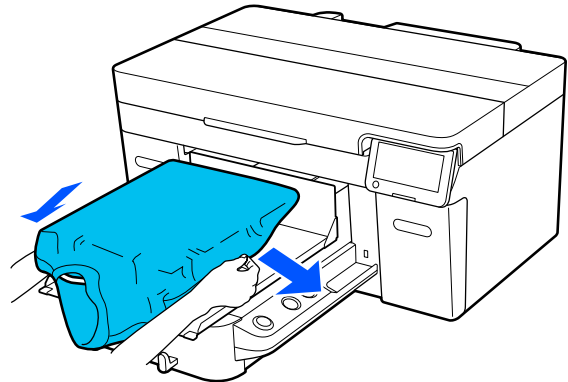
- 3** Slide the hem of the T-shirt over the platen from the front.



The line inside the frame in the illustration indicates the center of the platen.



- 4** Pull the parts of the shirt that extend beyond the platen to flatten the print surface.

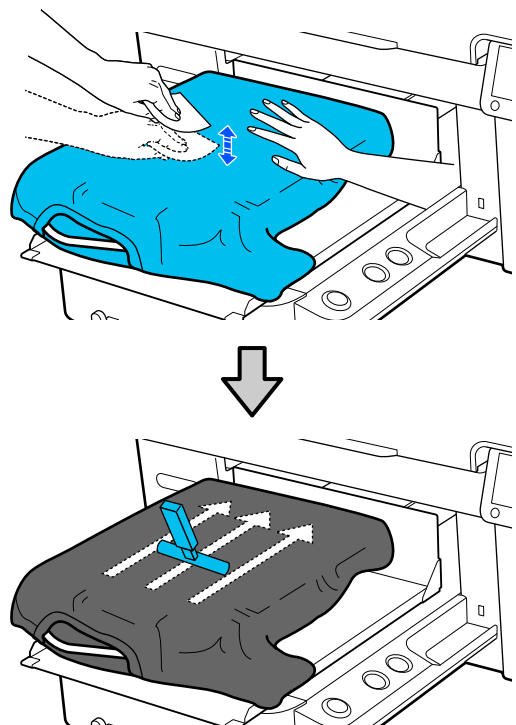


! **Important:**

Do not pull too hard on the T-shirt. If the T-shirt is stretched too much, the print quality may decline due to deformed images and so on, and the white under-base print may extend outside the image.

- 5** Remove any lint from the printing surface, and press the fibers flat.

There may be lint on the T-shirt if you have not applied pre-treatment liquid. Remove the lint using the sticky tape or roller and press the fibers flat using the hard roller. Lint and fibers may stick to the print head and stain other areas.

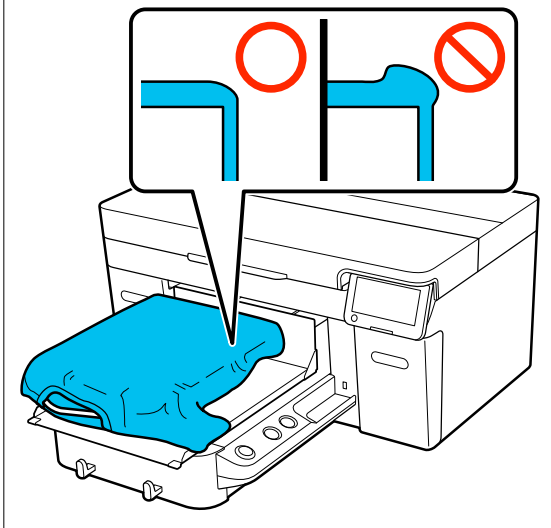


Basic Printing

6 Remove any slack or creases from the printing surface and make it flat.

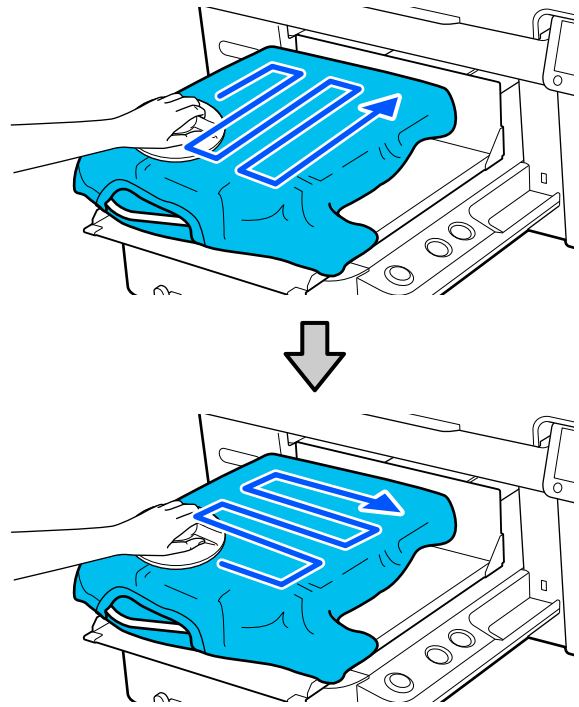
! Important:

The printer detects the highest part of the print surface. If there is any slack or creasing as shown in the illustration below, the distance between the print head and the print surface may increase and print quality may decline. Flatten the T-shirt so that there is no slack or creasing.

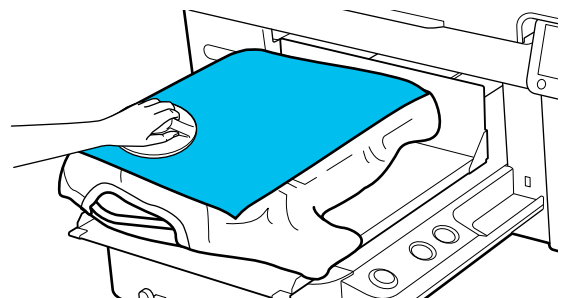


Use the grip pad tool supplied to flatten the printing surface. The T-shirt sticks to the grip on the platen keeping it flat and preventing it from moving during printing.

Press the T-shirt lightly with the grip pad tool and move it vertically and horizontally from the edges as shown in the following illustration. Repeat this step 2 or 3 times to remove any slack or creases and make the printing surface flat.



When loading a T-shirt coated with pre-treatment liquid, or when the grip pad tool gets caught due to the characteristics of the fabric, use the grip pad tool with a release sheet such as silicon paper on the T-shirt as shown in the figure.

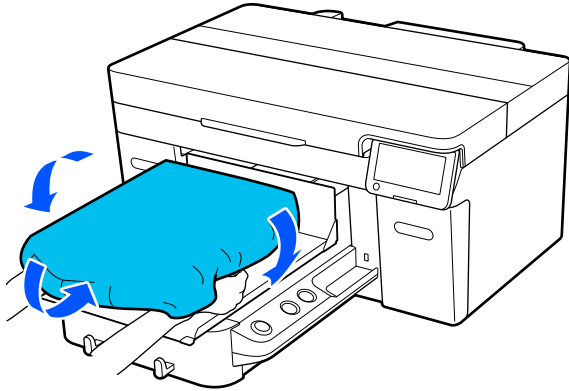


Note:

When the grip pad tool becomes dirty, make sure you wipe it with a damp cloth.

Basic Printing

- 7** Tuck in the T-shirt so that it does not drape over the movable base.



Loading on a Platen without a Grip Pad

When loading a T-shirt (media) on a platen without a grip pad, use the frame supplied with the platen.

This section explains how to load a T-shirt over a hanger platen.



You can check the procedure in a video on YouTube.

[Epson Video Manuals](#)

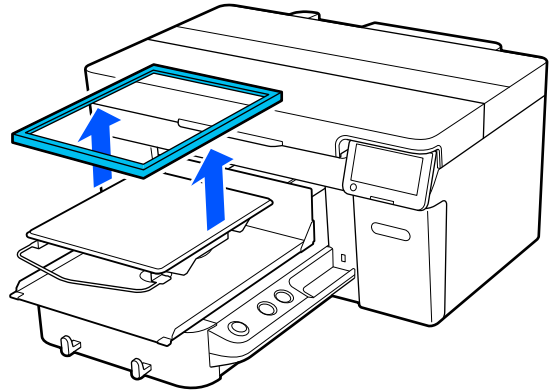
Note:

For details on how to load a T-shirt flat on the standard platen (with the front and back of the T-shirt on top of each other), see the video manual "Loading a T-shirt (on the grip pad covered platen)" for the SC-F2100 Series.

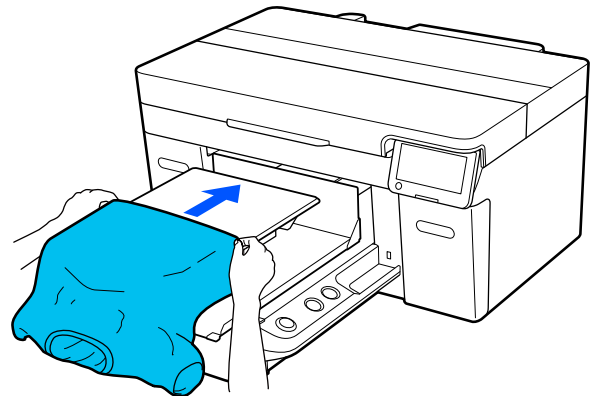
[Epson Video Manuals](#)

- 1** Press the  button to turn on the printer.
- 2** Check that the platen is installed.
See the following if the platen is not installed.
 ["Replacing platens" on page 55](#)

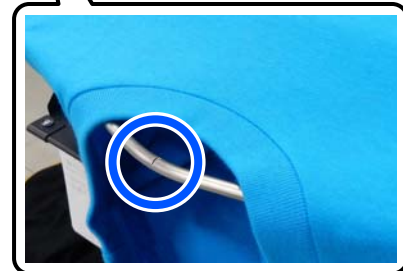
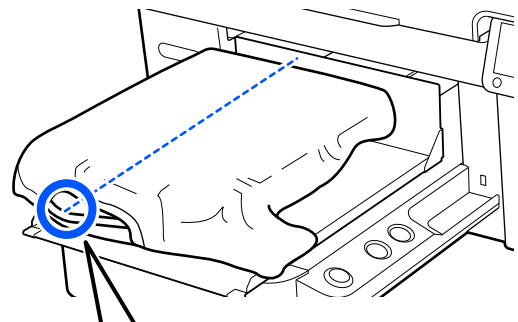
- 3** Remove the frame from the platen.



- 4** Slide the hem of the T-shirt over the platen from the front.

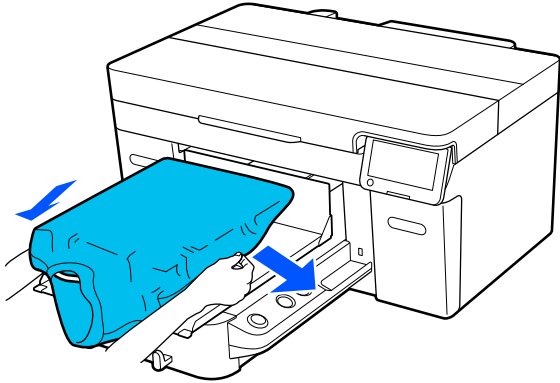


The line inside the frame in the illustration indicates the center of the platen.



Basic Printing

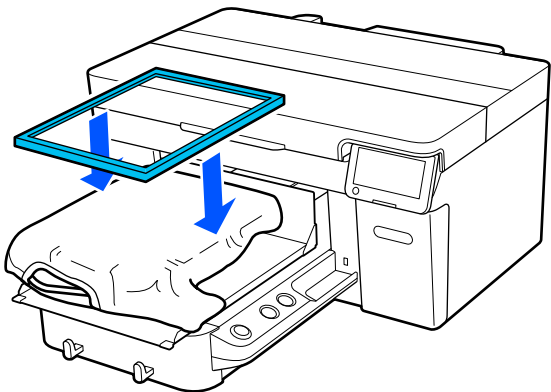
- 5** Pull the parts of the shirt that extend beyond the platen to flatten the print surface.



! **Important:**

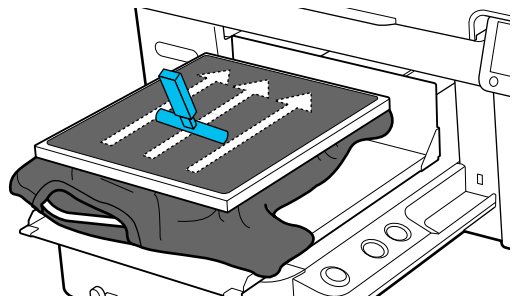
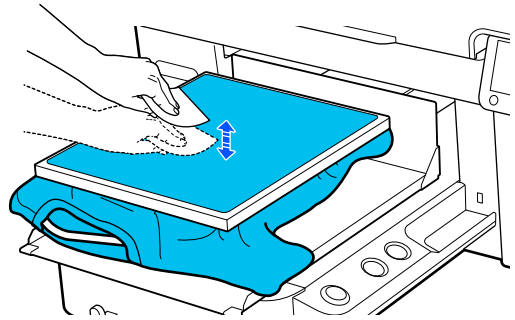
Do not pull too hard on the T-shirt. If the T-shirt is stretched too much, the print quality may decline due to deformed images and so on, and the white under-base print may extend outside the image.

- 6** Attach the platen frame again.

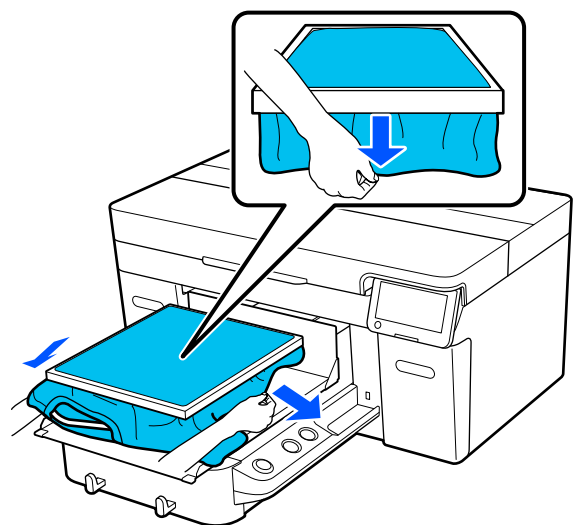


- 7** Remove any lint from the printing surface, and press the fibers flat.

There may be lint on the T-shirt if you have not applied pre-treatment liquid. Remove the lint using the sticky tape or roller and press the fibers flat using the hard roller. Lint and fibers may stick to the print head and stain other areas.



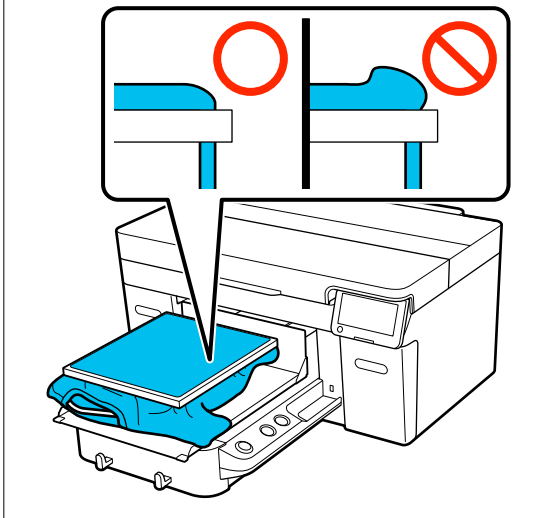
- 8** Pull the T-shirt outside of the frame to remove any creases and slack.



Basic Printing

! Important:

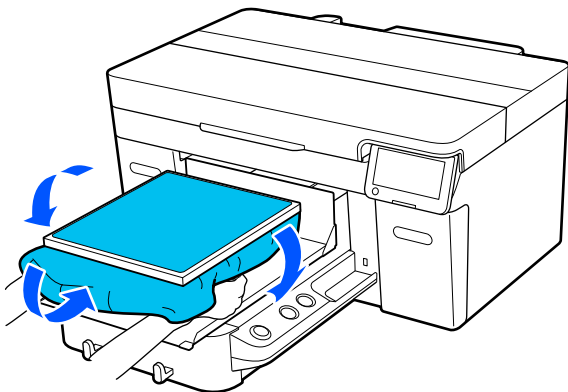
The printer detects the highest part of the print surface. If there is any slack or creasing near the inside of the frame as shown in the illustration below, the distance between the print head and the print surface may increase and print quality may decline. Pull the T-shirt so that there is no slack or creasing. However, if the T-shirt is stretched too much, the print quality may decline due to deformation of the image, and the white under-base print may extend outside the image.





Note:

Using the platen frame to place the print surface under a suitable amount of tension can reduce swelling of the print surface while printing.

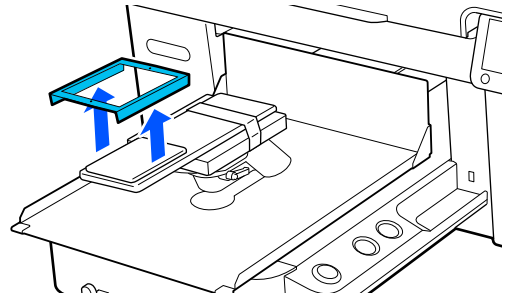
- 9 Press down the frame of the platen so that it does not become loose.
- 10 Tuck in the parts that extend beyond the frame so that they do not drape over the movable base.



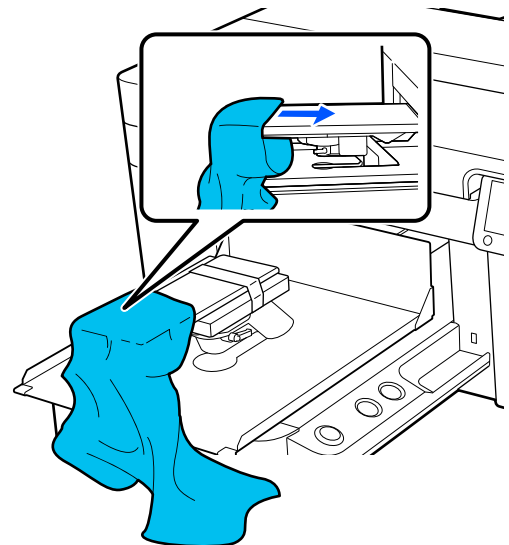
Loading on Sleeve Platens

- 1 Press the  button to turn on the printer.
- 2 Check that the platen is installed.
See the following if the platen is not installed.
 [“Replacing platens” on page 55](#)

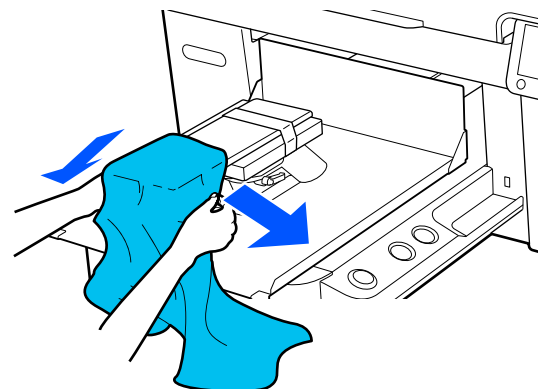
- 3 Remove the frame from the platen.



- 4 Pass the platen through the T-shirt sleeve.



- 5 Pull the parts of the shirt that extend beyond the platen to flatten the print surface.



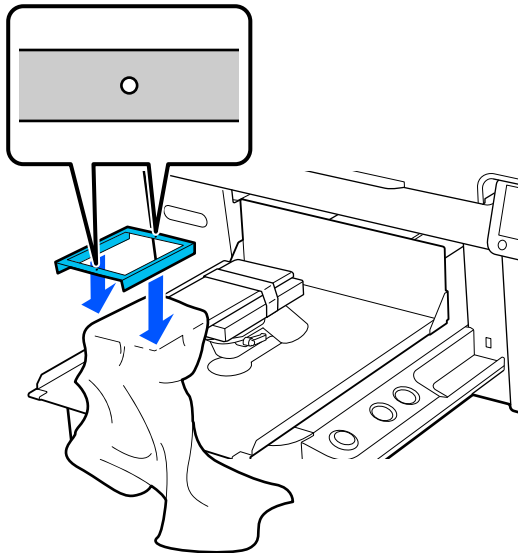
Basic Printing

! Important:

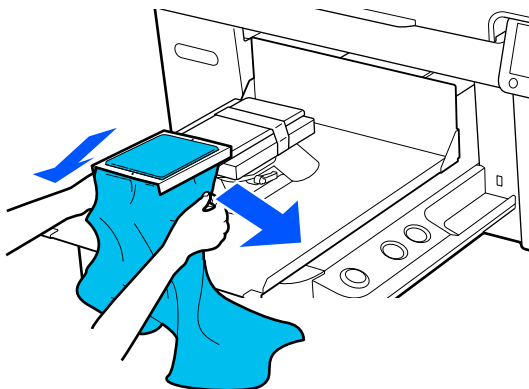
- ❑ Load the T-shirt so that the side seams and sleeve seams are not on the top. If there are raised sections, such as seams, an error may occur, or the print quality may decline.
- ❑ Do not pull too hard on the T-shirt. If the T-shirt is stretched too much, the print quality may decline due to deformed images and so on, and the white under-base print may extend outside the image.

6 Attach the platen frame again.

Load it so that the small holes in the frame are at the front and back.



7 Pull the T-shirt outside of the frame to remove any creases and slack.

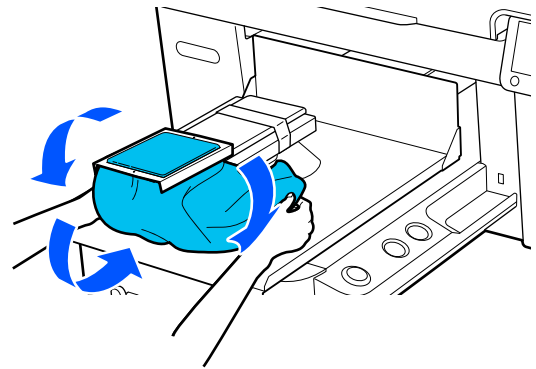


! Important:

Pull the T-shirt so that there is no slack or creasing. However, if the T-shirts is stretched too much, the print quality may decline due to deformation of the image, and the white under-base print may extend outside the image.

8 Press down the frame of the platen so that it does not become loose.

9 Tuck in the parts that extend beyond the frame so that they do not drape over the movable base.



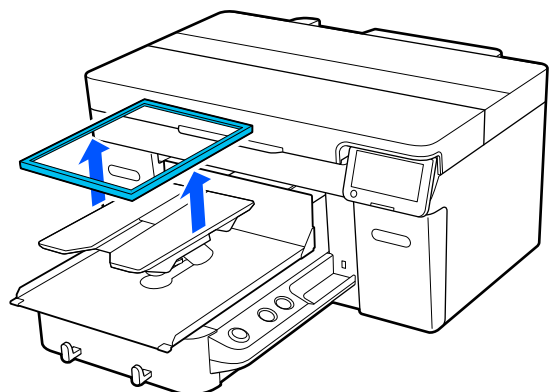
Loading on Medium Grooved Platens

1 Press the  button to turn on the printer.

2 Check that the platen is installed. See the following if the platen is not installed.

 [“Replacing platens” on page 55](#)

3 Remove the frame from the platen.

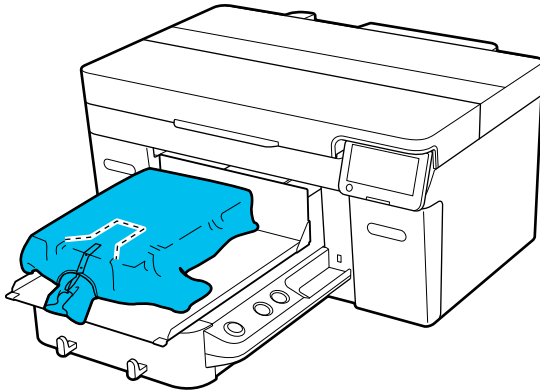


Basic Printing

- 4** Slide the hem of the T-shirt over the platen from the front.

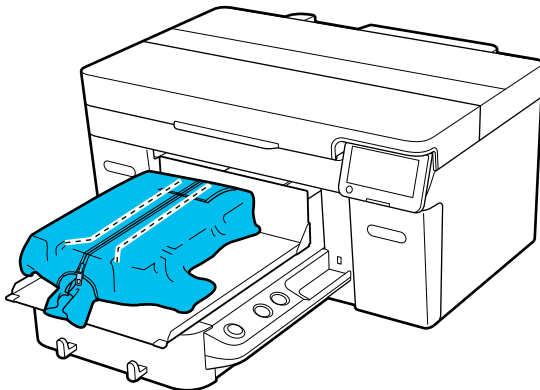
When the square part is attached (for shirts such as polo shirts)

Make sure that the collar or button section fits into the cutout on the top plate, and then load it so that the raised section does not extend above the printing side.

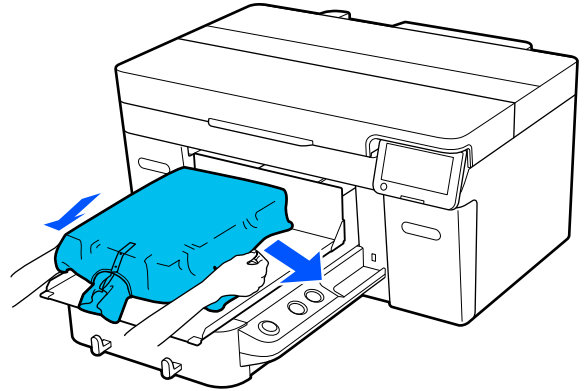


When the square part is removed (for shirts such as front-opening shirts)

Remove the square part from the top plate so that protruding sections such as zippers fit into the removed section, and then load it so that the raised section does not extend above the printing side.



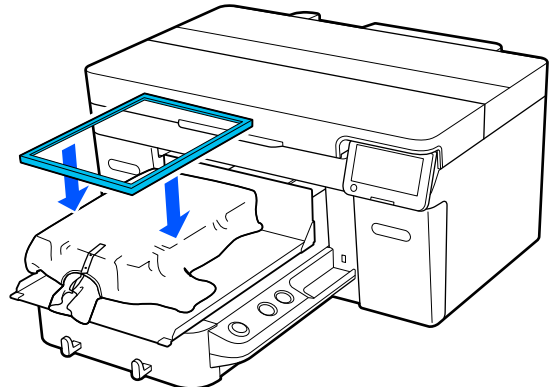
- 5** Pull the parts of the shirt that extend beyond the platen to flatten the print surface.



! Important:

Do not pull too hard on the media. If the media is stretched too much, the print quality may decline due to deformed images and so on, and the white under-base print may extend outside the image.

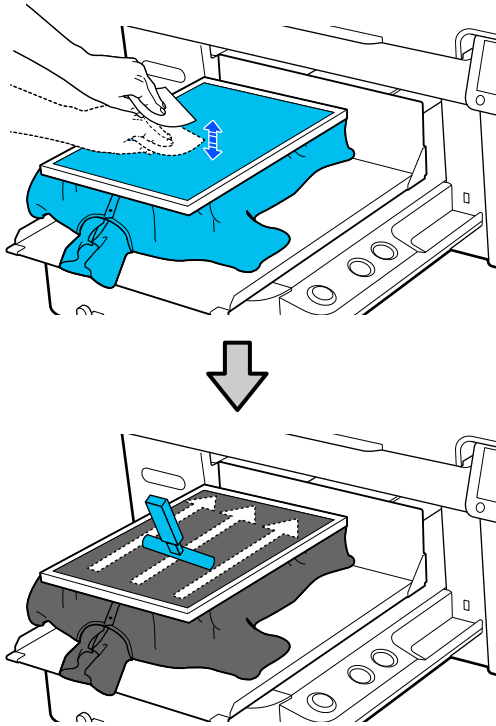
- 6** Attach the platen frame again.



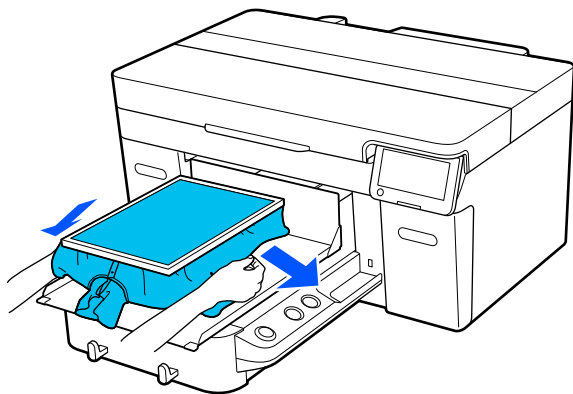
Basic Printing

- 7** Remove any lint from the printing surface, and press the fibers flat.

There may be lint on the media if you have not applied pre-treatment liquid. Remove the lint using the sticky tape or roller and press the fibers flat using the hard roller. Lint and fibers may stick to the print head and stain other areas.



- 8** Pull the T-shirt outside of the frame to remove any creases and slack.

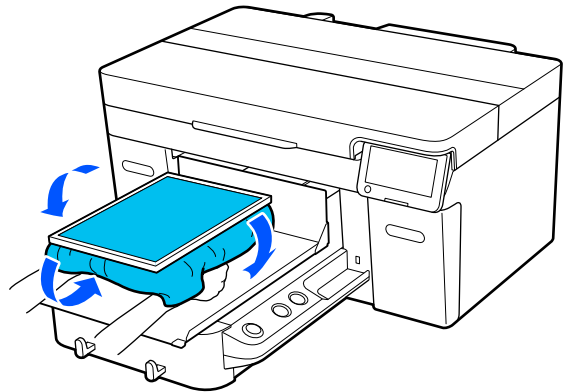


! Important:

Pull the media so that there is no slack or creasing. However, if the T-shirts is stretched too much, the print quality may decline due to deformation of the image, and the white under-base print may extend outside the image.

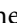
- 9** Press down the frame of the platen so that it does not become loose.

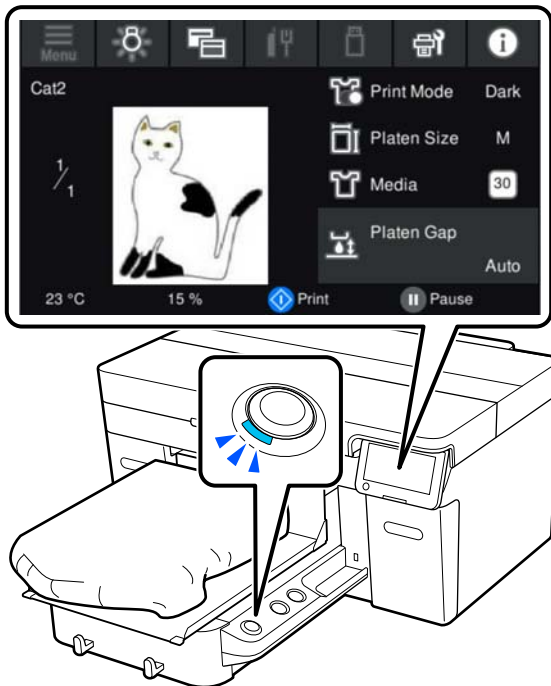
- 10** Tuck in the parts that extend beyond the frame so that they do not drape over the movable base.




Starting and Canceling Printing


Starting

- 1 When a job has been completely received, the preview display opens on the screen and the lamp on the  button turns on.



- 2 Check that the T-shirt is loaded, and then press the  button.

Note:

When you execute **Print Head Nozzle Check** or **Head Cleaning** before you start printing or in between repeated printings, press in the order of  (menu) - **Maintenance**, and then select the menu.

When executing **Print Head Nozzle Check**, be sure to load the media in the center of the platen.

 [“Loading media” on page 92](#)

When reprinting (repeat printing) the same job


Precautions for repeat printing

Reprint data is not overwritten until a new job is sent to the printer.

Reprint data is not deleted until the following occurs.

- The USB memory stick is removed
- The power is turned off


Reprint data is not saved in the following cases.

- The USB memory stick is corrupt
- There is not enough free space on the USB memory stick or the maximum number of readable files (999) has been exceeded
- The USB memory stick was removed from the printer while data was being written/read
- Printing was started by pressing the  button on the printer, but was canceled before printing was complete

If saving reprint data fails, an error message is displayed when you select the Reprint menu.

 [“What to Do When a Message Is Displayed” on page 113](#)

Repeat printing

- 1 Press in the order of  (menu) - **Reprint**.

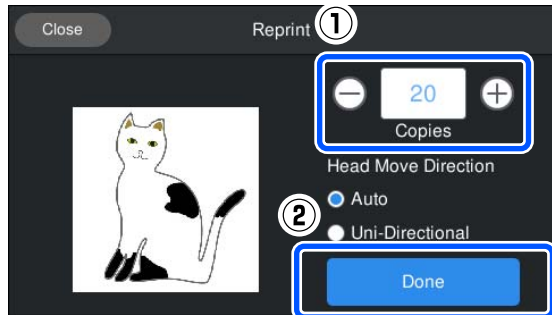
- 2 Input the number of prints, and then press **Done**.

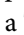

You can also change the settings for the **Head Move Direction** here.

- Auto:** Printing is done according to the settings of the print job.

Basic Printing

- ❑ **Uni-Directional:** While moving left and right, the print head prints only in the first direction.





- 3 When the preview display opens on the printer's screen and the  button lights up, load a T-shirt on the platen, and then press the  button.

 [“Load the T-shirt \(media\)” on page 61](#)

Canceling

Use this when you want to cancel printing, or to cancel a job that is being received by the printer.

You can use the same procedure to cancel repeat printing or printing from a USB memory.

- 1 Press the  button on the printer or  (pause) on the right edge of the status display area on the screen.
- 2 Select **Cancel**.
Printing or receiving stops, and the job is deleted.

Note:

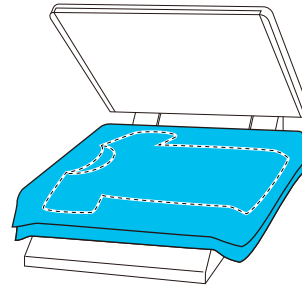
You can stop a job by clicking **Cancel** on the screen that is displayed while the job is being sent from Garment Creator 2, the software for the printer. If a job being sent from the computer to the printer has finished sending, cancel it at the printer.

Fixing the Ink

After printing, the T-shirt is processed in a heat press or oven to fix the ink.

Precautions when Fixing the Ink

- ❑ If you use a heat press with a T-shirt (media) that has printing near the seams such as the sleeves, fixing may not be performed correctly as ink is not heated sufficiently due to the difference of levels in the seams.
We recommend placing a heat-resistant fabric above and below the T-shirt and applying pressure as shown below to reduce the difference in levels.



- ❑ When ink is fixed to polyester T-shirts by using a heat press, the heat press can be soiled with ink due to the properties of the fabric. If necessary, clean the heat press or load a release sheet and then press.
- ❑ If the ink is not fixed sufficiently, colors may come out in the wash or when rubbing against something.
- ❑ If the T-shirts (media) have plastic buttons or zippers, we recommend that you first confirm whether or not they will be damaged before using the heat-press.

Fix conditions

The conditions required for fixing differ depending on the type of fabric and the device for fixing ink.

Use the following values as a guide. The optimum conditions vary depending on the type of fabric or the device for fixing ink, and the amount of ink.

Basic Printing

For cotton T-shirts

Heat press

Temperature	Time	Pressure* ¹
170°C (338°F)	45 seconds* ²	4.2 N/cm ²

- *1 The optimum conditions vary depending on the type of heat press such as the manual adjustment type. Be sure to test the ink fixing result in advance to find the right pressure.
- *2 Images larger than A4 that have White ink may take longer than 45 seconds to dry. Try extending the time up to 90 seconds while checking if the ink is dry.

Oven

Because the optimum conditions vary depending on the oven, test and check the ink fixing result in advance to determine the temperature and duration.

Type of Oven	Temperature	Time
Batch type	160°C (320°F)	3.5 to 5 minutes* ²
Conveyor type	160°C (320°F)* ¹	3.5 to 4.5 minutes* ²

- *1 Temperature of the fixing surface of the T-shirt. Not the internal temperature. If the surface of the T-shirt exceeds 180°C (356°F), the T-shirt and the print surface may change color.
- *2 Images that have White ink require the maximum fixing time (batch type: 5 mins., conveyor type: 4.5 mins.).

For polyester T-shirts

Due to the characteristics of polyester T-shirts, the fabric may be discolored due to the heat applied during fixing. Also, if fixing is performed at too high a temperature, for too long, or under too much pressure, the printed color may be too thin or traces of the heat press may remain on the fabric. Be sure to test the ink fixing result in advance to determine the right conditions.

Heat press

- When using White ink

Temperature	Time	Pressure* ¹
130°C (266°F)	90 seconds	3.0N/cm ²

- When using Color ink only

Temperature	Time	Pressure* ¹
130°C (266°F)	30 seconds* ²	3.0N/cm ²

- *1 The optimum conditions vary depending on the type of heat press such as the manual adjustment type. Be sure to test the ink fixing result in advance to find the right pressure.
- *2 Images larger than A4 and images with large amounts of ink may not be sufficiently dried after 30 seconds depending on the type of fabric being used, such as blended fabric. If the ink does not dry enough, try extending the time while checking if the ink is dry.

Oven

Type of Oven	Temperature	Time
Batch type/ Conveyor type	140°C (284°F)* ¹	5 to 10 minutes* ²

- *1 Temperature of the fixing surface of the T-shirt. Not the internal temperature.
- *2 Images that contain White ink require the maximum time (10 minutes) to fix.

Basic Printing

Printing from a USB Memory

This printer also allows you to print jobs saved from Garment Creator 2 to the USB memory stick by selecting them on the control panel.

You can save jobs using one of the following methods.

- Save jobs exported to a computer to a USB memory stick
- Export jobs directly to a USB memory stick connected to the printer

See the Garment Creator 2 manual for more details.

Note:

When a USB memory stick is connected to the printer, the last print data sent from Garment Creator 2 is automatically saved temporarily to the USB memory stick as reprint data. (File name: *Epson_repeat_print.prn*)

If there is a misprint or you run out of media, you can repeat printing simply by operating the printer without having to send the job again. See the following for more details.

 [“When reprinting \(repeat printing\) the same job” on page 70](#)

USB memory requirements

The following requirements need to be met to use a USB memory.

- FAT device compatible with Windows
- Format: FAT, FAT32, or exFAT
- No security functions such as encryption or passwords
- Memory capacity: Up to 2TB
- Partitions: 1

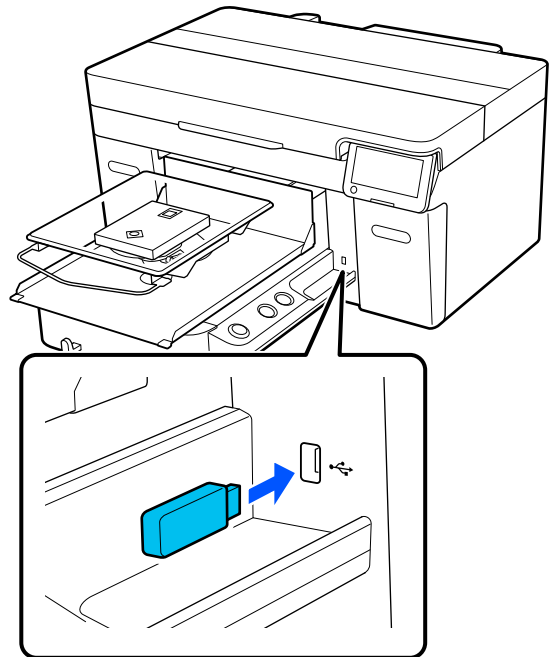
Requirements for supported data


- File format: prn files (.prn)

- Data name: Up to 255 single-byte characters
- Data size: Up to 4 GB
- Number of data items: Up to 999


Printing Procedures

- 1** Insert the USB memory containing the saved jobs to the USB memory port.



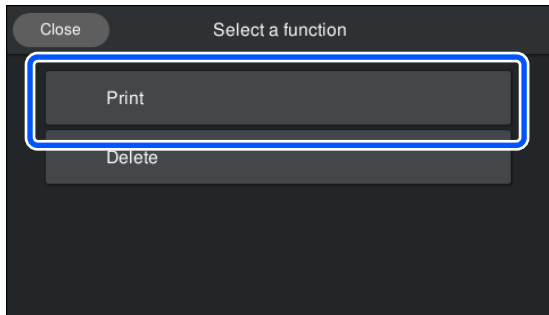
- 2** On the control panel screen, press  (USB printing).

! **Important:**

- Do not connect or disconnect the USB memory stick when the  light is flashing.
- Connect the USB memory stick directly to the printer. We cannot guarantee connections that use an extension cable, a USB hub, or a card reader.

Basic Printing

- 3** When the following screen appears, press **Print**.

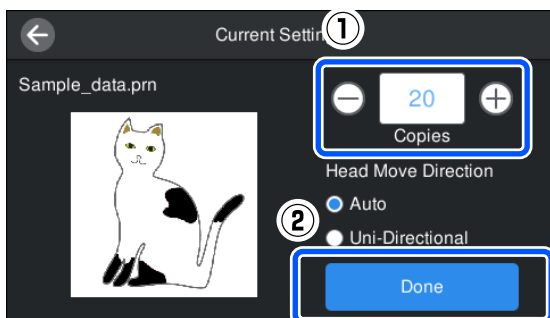


- 4** Select the data to print.
A preview of the print data appears.

- 5** Input the number of prints, and then press **Done**.

You can also change the settings for the **Head Move Direction** here.


- Auto:** Printing is done according to the settings of the print job.
- Uni-Directional:** While moving left and right, the print head prints only in the first direction.



- 6** When the preview display opens on the printer's screen and the **◊** button lights, load a T-shirt on the platen, and then press the **◊** button.

[🔗 “Load the T-shirt \(media\)” on page 61](#)

Note:

When you execute **Print Head Nozzle Check** or **Head Cleaning** before you start printing or in between repeated printings, press in the order of  (menu) - **Maintenance**, and then select the menu.

When executing **Print Head Nozzle Check**, be sure to load the media in the center of the platen.

[🔗 “Loading media” on page 92](#)

After printing the specified number of garments, a list of print jobs appears on screen.

To change the specified number of garments while printing

Press the **||** button on the printer or the screen to stop printing, and then redo the settings from step 5.

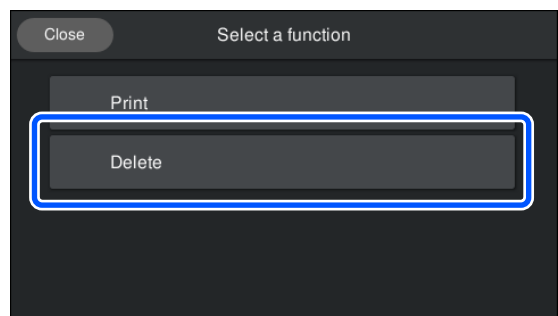
To print a different job before the specified number of garments are finished printing

Press the **||** button on the printer or the screen to stop printing, and then on the preview screen press **←** to return to the list of print jobs screen, and then redo the settings from step 3.

Deleting

- 1** On the control panel screen, press  (USB printing).

- 2** When the following screen appears, press **Delete**.



- 3** Select the data to delete.
A preview of the print data appears.
To delete the data, select **Yes**.

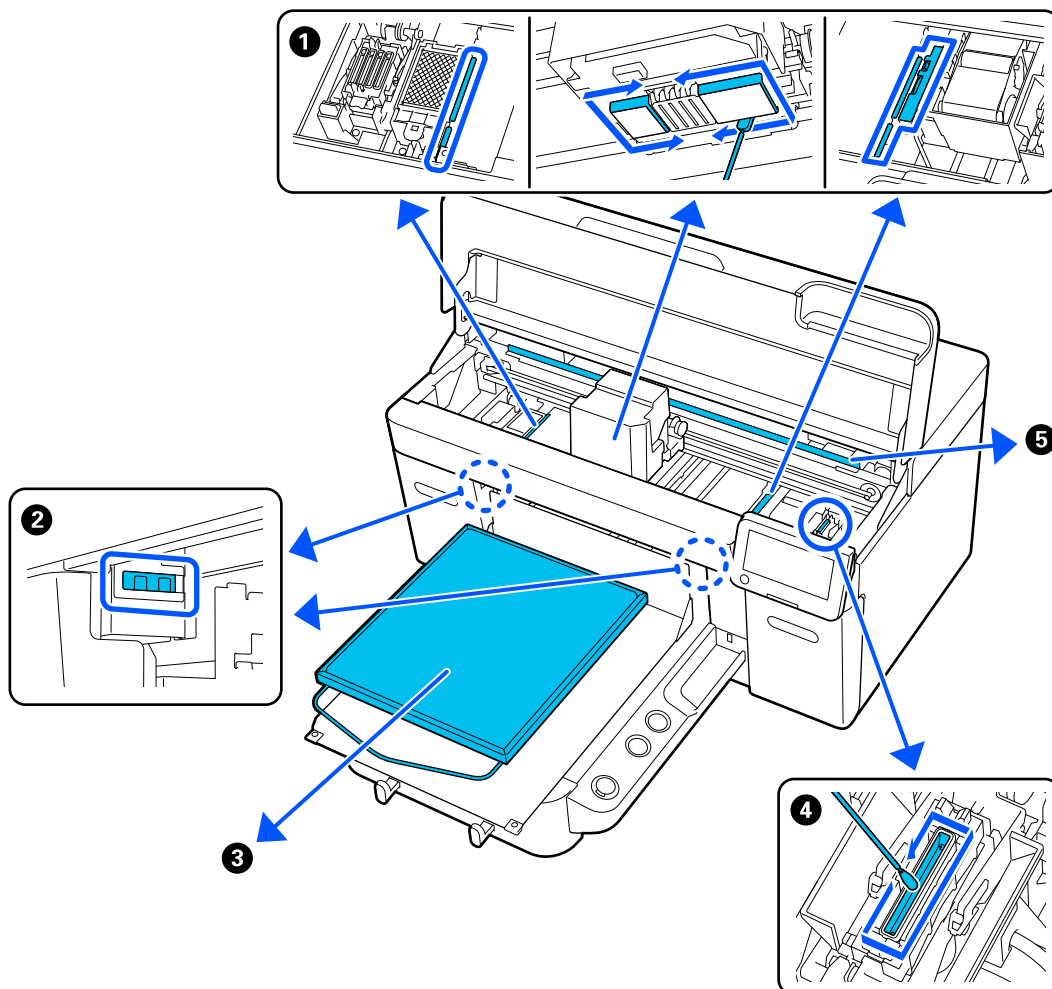
Maintenance


When to Perform Various Maintenance Operations

To maintain the print quality of the printer, you need to perform cleaning and replace consumables.

If maintenance is not performed, print quality may decline, the printer's service life may be reduced, or you may be liable for the cost of any repairs. Always perform maintenance when a message is displayed on the screen.

Cleaning Locations and Cleaning Timing



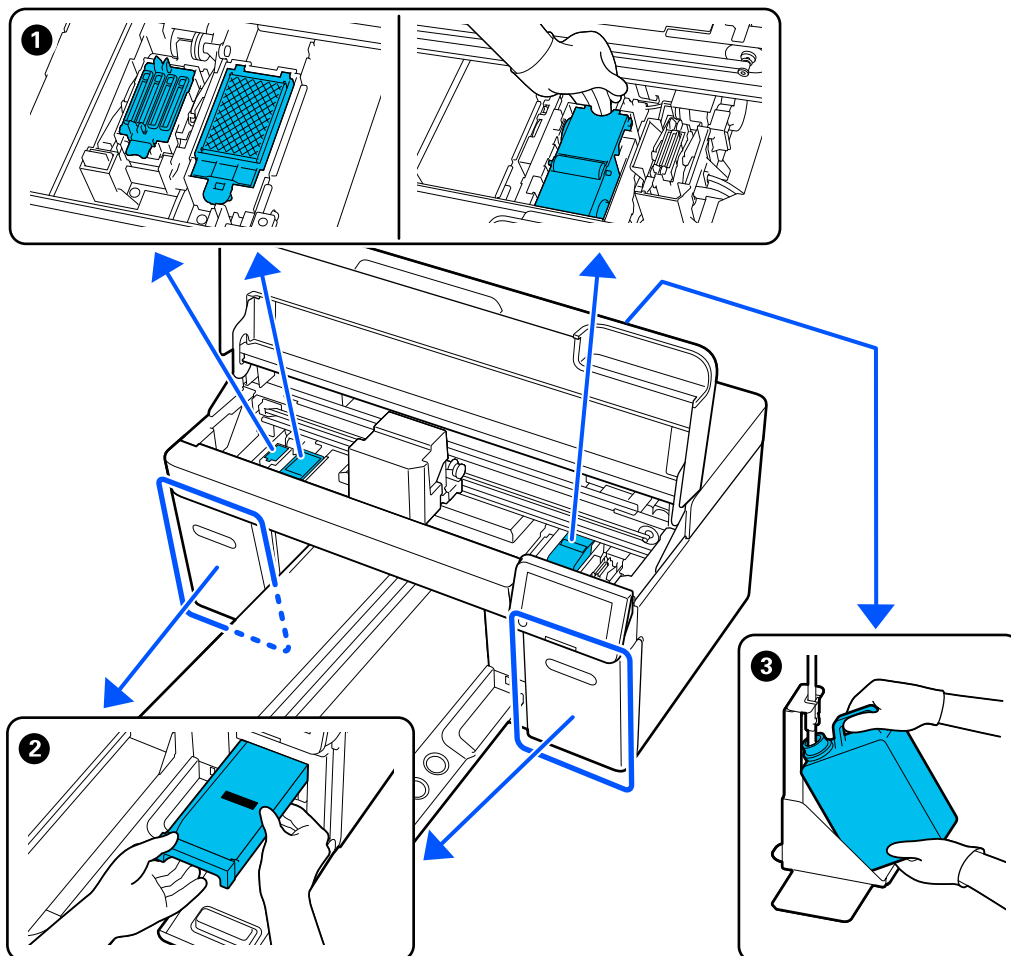
When to perform	Component to be cleaned
<ul style="list-style-type: none"> <input type="checkbox"/> The printing surface and other areas are soiled even after cleaning the suction cap <input type="checkbox"/> When printing is not performed normally even after head cleaning 	<p>1 Clean around the print head and the edges of the metal</p> <p> "Clean around the print head and the edges of the metal" on page 81</p> <p>You can check the procedure in a video on YouTube.</p> <p>Epson Video Manuals</p>

Maintenance

When to perform	Component to be cleaned
When It is time to clean the Sensor Cover. appears on the control panel screen	<p>② Clean the sensor cover</p> <p>“Cleaning the Sensor Cover” on page 80</p>
If a platen without a grip pad is soiled	<p>③ Clean the platen without a grip pad</p> <p>“Cleaning the Platen Without a Grip Pad” on page 85</p>
<p><input type="checkbox"/> When the message It is time to clean the Suction Cap. is displayed on the control panel screen *</p> <p><input type="checkbox"/> When there are ink stains on the printing surface of the T-shirt</p>	<p>④ Suction cap</p> <p>“Cleaning the Suction Cap” on page 82</p> <p>You can check the procedure in a video on YouTube. Epson Video Manuals</p>
When the message It is time to clean the Encoder Scale. See your documentation for details. is displayed on the control panel screen	<p>⑤ Encoder scale</p> <p>“Cleaning the Encoder Scale” on page 83</p> <p>You can check the procedure in a video on YouTube. Epson Video Manuals</p>

* If this message is displayed frequently, contact your dealer or Epson support.



Locations of Consumables and Replacement Timing



Maintenance

When to perform	Component to be replaced
When a prepare and replacement message is displayed on the control panel screen	<p>① Head Cleaning Set (wiper unit, capping station, flushing pad) ☞ "Replacing the Head Cleaning Set" on page 89</p> <p>③ Waste ink bottle ☞ "Disposing of Waste Ink" on page 87</p>
When the message You need to replace Ink supply unit. is displayed on the control panel screen	<p>② Ink supply unit ☞ "Replacing Ink Supply Units" on page 85</p>

Other maintenance

When to perform	Operation
<ul style="list-style-type: none"> <input type="checkbox"/> Before starting printing operations for the day (WH only) <input type="checkbox"/> Ink shaking is needed. Shake the Ink Supply Unit which  /  is displayed. is displayed on the control panel screen 	<p>Shaking the Ink Supply Unit ☞ "Shaking the Ink Supply Units Periodically" on page 90</p>
<ul style="list-style-type: none"> <input type="checkbox"/> When checking if nozzles are clogged <input type="checkbox"/> When checking which colors are clogged <input type="checkbox"/> Horizontal stripes or tint unevenness (banding) are appeared. 	<p>Checking for clogged nozzles ☞ "Checking for clogged nozzles" on page 91</p>
<ul style="list-style-type: none"> <input type="checkbox"/> When printouts are blurred or parts are missing <input type="checkbox"/> When a clog is found after checking for clogged nozzles 	<p>Cleaning the print head ☞ "Head Cleaning" on page 93</p>
When White ink is not used for a specified period of time or when White ink is used again	<p>Changing the printer mode ☞ "Changing the Printer Mode" on page 94</p>
When the printer will not be used for an extended period (and switched off)	<p>Pre-Storage Maint. ☞ "Pre-Storage Maintenance for Long-Term Non-Use" on page 96</p>

Maintenance

Preparation

Ready the following items before beginning cleaning and replacement.

When the supplied parts have been completely used, purchase new consumables.

Prepare genuine parts when replacing ink supply units or performing maintenance.

 [“Options and Consumable Products” on page 129](#)

Protective eye-wear (commercially available)

Protects your eyes against ink and ink cleaner.

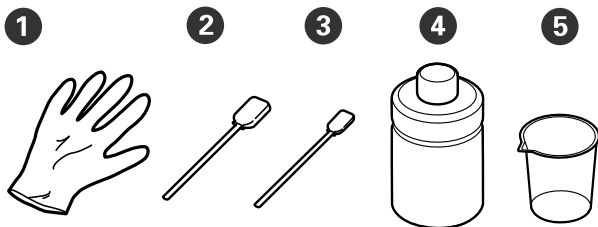
Tweezers (supplied with the printer)

Use this to remove lump or film of waste liquid.

Maintenance kit (supplied with the printer)

Use this to clean around the suction cap and print head, and the sensor cover.

The set contains gloves, cleaning sticks, ink cleaner, and a cup.



- ① Gloves (x4)
- ② Cleaning stick (wide) (x25)
- ③ Cleaning stick (narrow) (x25)
- ④ Ink cleaner (x1)
- ⑤ Cup (x1)

Clean-room wipers (supplied with the printer)

Use these to clean the sensor cover and encoder scale, and to install and remove the waste ink tubes.

Metal or plastic tray (commercially available)

Use this to hold used cleaning sticks, removed parts, or to prevent ink from soiling the printer when cleaning around the print head.

Soft cloth

Use this to clean the edges of the metal and to clean platens without a grip pad.

Cautions when operating

Caution:

- Always wear protective eyewear, gloves, and a mask when working. Should any waste ink or ink cleaner come into contact with your skin or enter your eyes or mouth, immediately take the following actions.
 - If fluid adheres to your skin, immediately wash it off using large volumes of soapy water. Consult a physician if the skin appears irritated or inflamed.
 - If fluid enters your eyes, rinse immediately with water. Failure to observe this precaution could result in bloodshot eyes or mild inflammation. If problems persist, consult a physician.
 - If any enters your mouth, consult a physician immediately.
 - If fluid is swallowed, do not force the person to vomit and consult a physician immediately. If the person is forced to vomit, fluid may get caught in the trachea which can be dangerous.
- Store ink supply units, waste ink, ink cleaner, and Cleaning ink supply units out of the reach of children.
- Remove the T-shirt from the printer before starting periodic cleaning.
- Do not touch any parts or circuit boards other than the parts that need to be cleaned. It may cause a malfunction or decline of the print quality.
- Always use new cleaning sticks. Reusing sticks may soil the parts you are trying to clean.

Maintenance

- ❑ Do not touch the tip of the cleaning stick with your hand. Oils on your hand may compromise the cleaning ability.
- ❑ Mixing ink with water or organic solvents causes it to harden, which causes malfunctions.
 - ❑ Use only pure water to clean the specified areas. Do not use tap water.
 - ❑ Do not use organic solvents, such as alcohol, for cleaning. Organic solvents could result in discoloration, warping, or damage to parts.
- ❑ Touch a metal object before starting operations to disperse any static electricity.

Cleaning


Using ink cleaner

The ink cleaner is used to clean the following parts.

Parts you can clean

- ❑ When cleaning around the suction cap and print head
Dampen a cleaning stick with ink cleaner to use it.
- ❑ When cleaning the platen without a grip pad
If there are ink stains that cannot be removed by wiping with a soft dry cloth or diluted neutral detergent, dampen the soft cloth with ink cleaner and try again.
- ❑ When cleaning the Sensor Cover
If there are ink stains that cannot be removed by wiping with water, soak a clean-room wiper in ink cleaner, and use it.
- ❑ When cleaning the encoder scale
Soak a clean-room wiper in ink cleaner and use it.

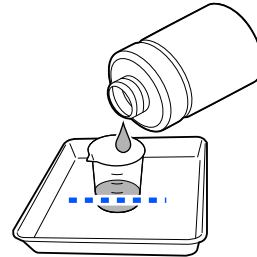
Important:

- ❑ Do not use it to clean any areas not specified in "Parts you can clean". Failure to observe this precaution could result in damaged parts.
- ❑ Depending on the usage and storage environment, the ink cleaner may change color after opening.
- ❑ If you notice that the ink cleaner has changed color or emits a bad odor, stop using the cleaner and open a new maintenance kit.
- ❑ Make sure you close the lid securely after use, and avoid storing in locations subject to high temperatures, high humidity, and direct sunlight.
- ❑ Do not use ink cleaner that has already been used to clean something else. Using dirty ink cleaner will cause stains.
- ❑ Used ink cleaner is classified as industrial waste. Dispose of it in the same way as waste ink.
Disposal of used consumables
 "Disposal" on page 97

1 Remove the lid from the ink cleaner.

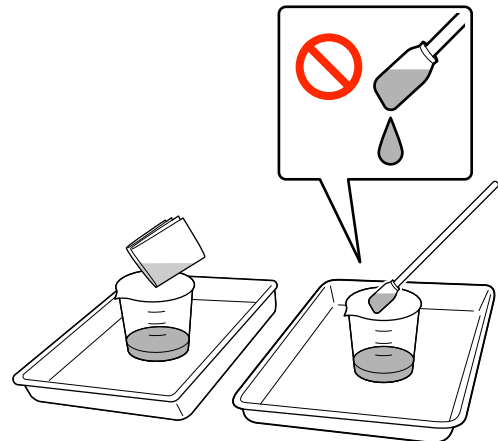
2 Place the cup supplied with the maintenance kit on the tray, and then pour an appropriate amount of ink cleaner into the cup.

When using ink cleaner to clean the sensor cover and encoder scale, pour about 5 ml (about halfway to the bottom line).



3 Dampen the cleaning stick or clean-room wiper with ink cleaner.

When doing this, make sure that ink cleaner does not drip from the cleaning stick or clean-room wiper.



Cleaning the Sensor Cover

When it is time to clean the Sensor Cover, **It is time to clean the Sensor Cover**, appears on the control panel screen. If you continue to use it as is, the position of the platen cannot be detected so printing becomes impossible. See the following to do cleaning.

Important:


Do not move the platen manually. A malfunction may occur.

Before starting this procedure, be sure to read the following:

Maintenance

[☞ “Cautions when operating” on page 78](#)

- 1 Check the messages that appear on the printer's screen, and then press **Cleaning**.

When the message is not displayed, press in the order of  (menu) - **Maintenance** - **Cleaning the Maintenance Parts** - **Sensor Cover**.

- 2 Check the message, and then press **Start**.
The platen moves to the maintenance position.

- 3 Press **How To...** to view the procedure.
Follow the on-screen instructions to perform the procedure.

Note:

The red and green lights that are visible inside the clear part are LED lights. They cannot damage your eyes.

If the ink stains cannot be removed completely, instead of water use the ink cleaner provided with the maintenance kit to clean again.

[☞ “Using ink cleaner” on page 80](#)

- 4 After you finish cleaning both sensor covers, press **Done** on the control panel screen.
- 5 Check the on-screen messages, and then press **OK**.

The platen moves to its normal position.

Disposal of used consumables

[☞ “Disposal” on page 97](#)

The Sensor Cover cannot be recognized. is displayed

If this message appears immediately after you finish cleaning, then cleaning was insufficient. Do the cleaning again.


Clean around the print head and the edges of the metal

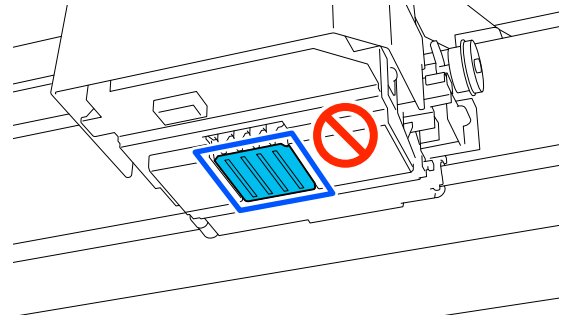
If the printing surface and other areas are dirty even after performing **Head Cleaning** several times, fibers, such as lint, may have accumulated around the print head and edges of the metal. Follow the steps below to clean them.

Precautions When Cleaning

! Important:

Failure to observe the following points may cause a malfunction to occur.

- ❑ Do not move the print head or the platen manually.
- ❑ Do not touch the nozzle surfaces (the  part in the illustration) with the cleaning stick.



- ❑ Before starting this procedure, be sure to read the following:
[☞ “Cautions when operating” on page 78](#)
- ❑ If it is difficult to remove dirt around the print head, rinse the dirty cleaning stick with ink cleaner and then clean it again. If the cleaning stick is dirty at this time, replace it with a new one.

Note:



The buzzer sounds 10 minutes after the print head is moved (default setting).

Check the message on the screen, press **OK**, and then continue working. After 10 more minutes have passed, the buzzer sounds again.

Cleaning

You can check the procedure in a video on YouTube.

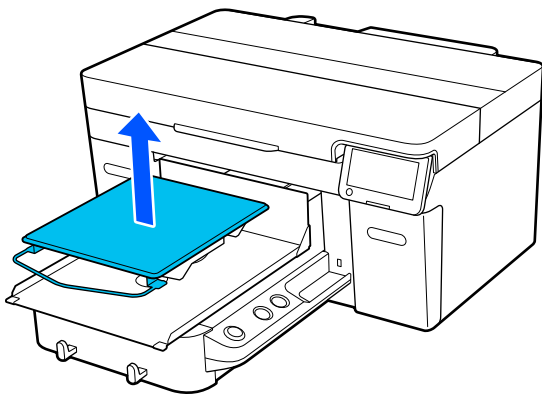
[Epson Video Manuals](#)

- 1 Make sure the printer is on, and then press  (Inside Light) to turn on the light.
- 2 Press  (menu) - **Maintenance** - **Cleaning the Maintenance Parts** - **Around the Head**.

Maintenance

3 Check the message, and then click **Done**.

4 Grip the left and right of the platen, and lift it straight up to remove it.



When the sleeve platen is installed, remove the fixing band before lifting the platen.

5 Check the message, and then press **Start**.
The platen moves to the maintenance position.

6 Press **How To...** to view the procedure.
Follow the on-screen instructions to perform the procedure.

7 After cleaning is finished, close the printer cover, and then press **Done** on the control panel screen.

The platen and print head return to their normal positions, and the Settings menu closes.

After you finish cleaning, we recommend checking for clogged nozzles.

[“Checking for clogged nozzles” on page 91](#)

Disposal of used consumables

[“Disposal” on page 97](#)

Cleaning the Suction Cap

When it is time to clean the suction cap, **It is time to clean the Suction Cap.** appears on the control panel screen. If you continue to use the printer without cleaning, the nozzles may clog and print quality may decline. Even if the message is not displayed, clean the suction cap if printing surface is soiled with ink.

Precautions When Cleaning

! Important:

- Do not move the print head or the platen manually. A malfunction may occur.
- Do not rub the cap section hard. Scratches may cause air leaks, and Head Cleaning cannot be performed correctly.
- Do not use any tweezers such as metal tweezers other than the supplied pair.
- Carefully wipe off any dirt from the edges of the suction cap until you can see the color of the cap.
If dirt is left, it creates a gap between the cap and the print head that causes a decrease in suction strength and the print head nozzles could become clogged.

- Before starting this procedure, be sure to read the following:

[“Cautions when operating” on page 78](#)

- Any dirt left around the edges of the suction cap can cause a decrease in suction power. If it is difficult to remove dirt, rinse the dirty cleaning stick with ink cleaner and then clean it again. If the cleaning stick is dirty at this time, replace it with a new one.

Note:

The buzzer sounds 10 minutes after the print head is moved (default setting).


Check the message on the screen, press **OK**, and then continue working. After 10 more minutes have passed, the buzzer sounds again.

Cleaning

You can check the procedure in a video on YouTube.

[Epson Video Manuals](#)

- 1** Check the messages that appear on the printer's screen, and then press **Cleaning**.

When the message is not displayed, press in the order of  (menu) - **Maintenance** - **Cleaning the Maintenance Parts** - **Suction Cap**.

Maintenance

- 2 Check the message, and then press **Start**.
The platen and print head move to the maintenance position.
- 3 Press **How To...** to view the procedure.
Follow the on-screen instructions to perform the procedure.
- 4 After cleaning is finished, close the printer cover, and then press **Done** on the control panel screen.

The platen and print head return to their normal positions, and the Settings menu closes.

After you finish cleaning, we recommend checking for clogged nozzles.

[“Checking for clogged nozzles” on page 91](#)

Disposal of used consumables [“Disposal” on page 97](#)

Cleaning the Encoder Scale

When it is time to clean the encoder scale, the message **It is time to clean the Encoder Scale.** is displayed on the control panel screen. If you continue to use the printer as it is, the printer will not be able to read the print area accurately and print quality will decline. Follow the steps below to clean them.

Before starting this procedure, be sure to read the following:

[“Cautions when operating” on page 78](#)

You can check the procedure in a video on YouTube.

[Epson Video Manuals](#)

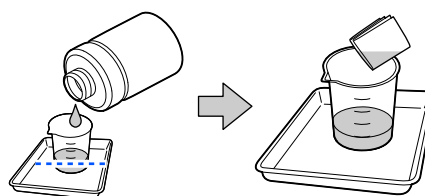
- 1 Press the **↕** button to move the platen to the maintenance position.

! Important:

Do not move the platen manually. A malfunction may occur.

- 2 Turn off the printer and check that the displayed screen disappears.
- 3 Open the printer cover.
- 4 Pour about 5 ml of ink cleaner into the cup supplied with the maintenance kit, let it soak into a clean-room wiper, and then squeeze it gently.

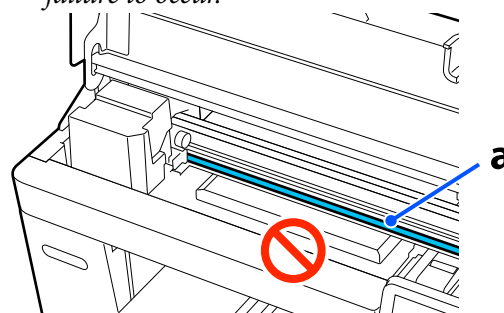
[“Using ink cleaner” on page 80](#)



- 5 As shown in the illustration, wipe off any ink stains on the front and back surfaces of the encoder scale by squeezing the encoder scale between the clean-room wipers.

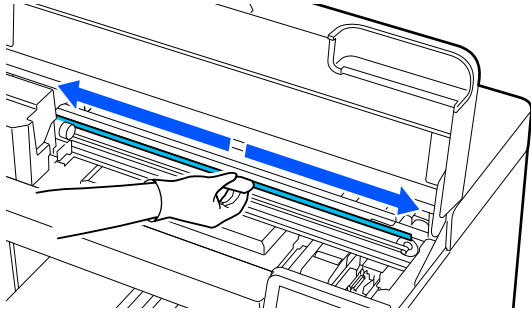
! Important:

- Do not touch the carriage shaft (part "a" in the illustration below) when cleaning. Doing so may cause a malfunction or failure to occur.



- Do not use anything other than clean-room wipers for cleaning.

Maintenance



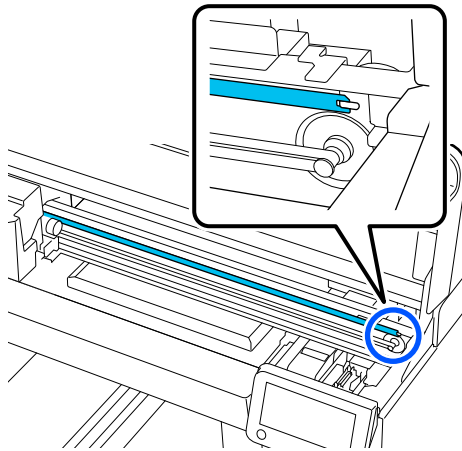
Wipe off ink stains by moving a clean-room wiper from the center of the encoder scale to either end of the scale, moving it back and forth about two or three times.

Wipe the left edge up to just before the carriage. The part of the scale that you cannot see does not need to be cleaned.

Wipe the right edge up to just before the part where the encoder scale becomes transparent.

! **Important:**

- ❑ *Do not pull too hard on the encoder scale. If you pull too hard, the right section may come off.*



- ❑ *When wiping, make sure the ink cleaner does not drip into the printer. If it does drip, wipe it with a dry clean-room wiper.*
- ❑ *Do not rub too hard as doing so may damage the encoder scale. Damage to the scale may cause a malfunction to occur.*

Disposal of used consumables

 [“Disposal” on page 97](#)

6

Wipe off any dust on the encoder scale with a dry clean-room wiper.

7

Close the printer cover.

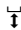
Cleaning the Platen Without a Grip Pad

If the platen without a grip pad is dirty, follow the steps below to wipe off the dirt.

When printing on polyester T-shirts, the platen can easily be soiled with ink due to the properties of the fabric. If the platen is soiled with ink, wipe it off quickly before it has a chance to dry.

- 1 Check that the platen is ejected forward.

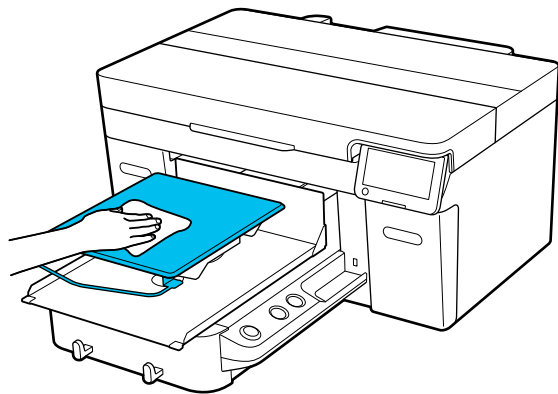
Note:

If the platen does not move forward, press the  button to move it forward.

- 2 Turn off the printer and check that the displayed screen disappears.

- 3 Use a soft, clean cloth to carefully remove any dust or dirt.

If there is a serious dirt problem, clean it using a soft, clean cloth dampened with water and a small amount of detergent or ink cleaner and wrung tight. Then wipe off moisture with a dry, soft cloth.



Replacing Consumables

Replacing Ink Supply Units

Precautions When Replacing

 **Important:**

Epson recommends the use of genuine Epson ink supply units. Epson cannot guarantee the quality or reliability of non-genuine ink. The use of non-genuine ink may cause damage that is not covered by Epson's warranties, and under certain circumstances, may cause erratic printer behavior. Information about non-genuine ink levels may not be displayed, and use of non-genuine ink is recorded for possible use in service support.

- If one of the installed ink supply units is expended, printing cannot be performed.

 **Important:**

When using WH ink, immediately replace the ink supply unit with a new one if **You need to replace Ink supply unit.** appears.

If the printer is left with the ink remaining alert displayed, a print head or other part may be damaged.

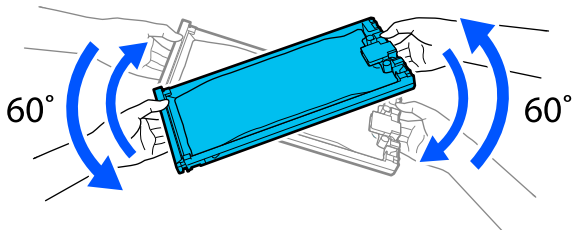
If ink is expended while printing, you can continue printing after replacing the ink supply unit. If you continue to use an ink supply unit that is running low, you may need to replace the ink supply unit while printing. If you replace it while printing, colors may look different depending on how the ink dries. If you want to avoid issues such as this, we recommend replacing the supply unit before printing. You can still use the removed ink supply unit in the future until the ink supply unit is expended.

The following procedure explains how to replace ink supply units and cleaning ink supply unit.

- Insert all of the ink supply units into the ink trays. Printing is not possible or a malfunction may occur if even one of the ink trays does not contain an ink supply unit.

Maintenance

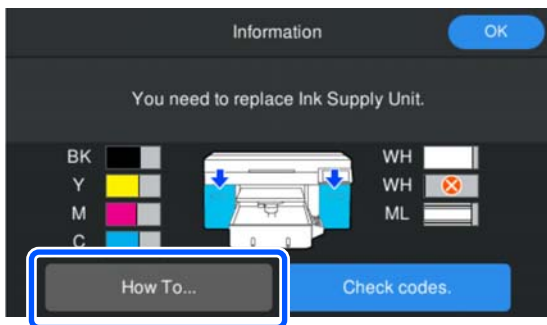
- ❑ When shaking the ink supply unit, set it in the ink tray and shake it up and down at an angle of about 60 degrees the following number of times as shown in the illustration below.
 - ❑ White ink (WH): Approx. 25 times in 25 seconds
 - ❑ Other inks: 5 times in 5 seconds



Replacement procedure

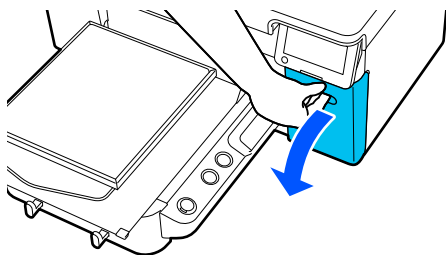
When a message prompting you to replace an ink supply unit is displayed

Press **How To...** You can check the procedure on the control panel while replacing the ink supply unit.



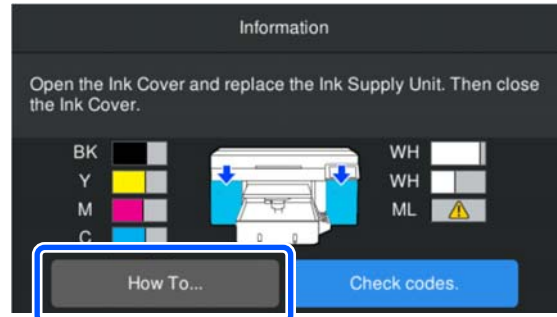
When you need to replace an ink supply unit because the amount of ink remaining is too low for the print job

- 1 Open the ink cover on the side where the ink supply unit for the color you want to replace is installed.



- 2 Press **How To...** on the control panel screen to view the procedure.

Follow the on-screen instructions to perform the procedure.



Disposal of used consumables


[👉 "Disposal" on page 97](#)

Maintenance

Disposing of Waste Ink

Preparing and Replacement Timing

When The waste ink bottle is nearing the end of its service life. is displayed

Prepare a new Waste Ink Bottle as soon as possible. When you want to replace the waste ink bottle immediately, such as to do night operations, press in the order of  (menu) - **Maintenance** - **Replace Maintenance Parts** - **Waste Ink Bottle** on the control panel screen, and then do the replacement work. If you do not do the replacement work from the settings menu, the waste ink counter cannot operate correctly.

Waste Ink Counter

 [“Waste Ink Counter” on page 87](#)

Important:

Never remove the waste ink bottle while printing or carrying out the following maintenance procedures. Waste ink may leak.

- Head Cleaning
- Changing the printer mode
- Maintenance before long-term storage

When Waste Ink Bottle is at the end of its service life. is displayed


Replace the Waste Ink Bottle with a new bottle immediately.

Replacement procedure


 [“Replacing the waste ink bottle” on page 87](#)

Waste Ink Counter

The printer uses the waste ink counter to track waste ink and displays a message when the counter reaches the warning level. If you follow the message instructions in **Waste Ink Bottle is at the end of its service life.** and replace the Waste Ink Bottle with a new one, the counter is cleared automatically.

If you need to replace the waste ink bottle before the message is displayed, press in the order of  (menu) - **Maintenance** - **Replace Maintenance Parts** - **Waste Ink Bottle** on the control panel screen, and then do the replacement work.

Maintenance Menu

 [“Maintenance menu” on page 110](#)

Important:

Always do the replacement work from the settings menu and clear the waste ink counter if you replace the waste ink bottle before being prompted to do so by a message. Otherwise, the replacement interval for the Waste Ink Bottle will no longer be measured correctly.

Replacing the waste ink bottle

Before starting this procedure, be sure to read the following:

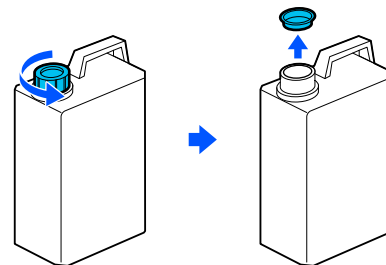
 [“Cautions when operating” on page 78](#)

1

Remove the outer and inner caps from the new waste ink bottle.

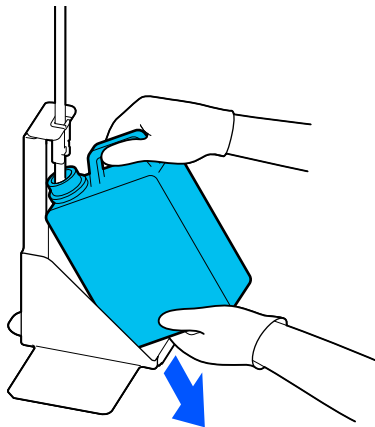
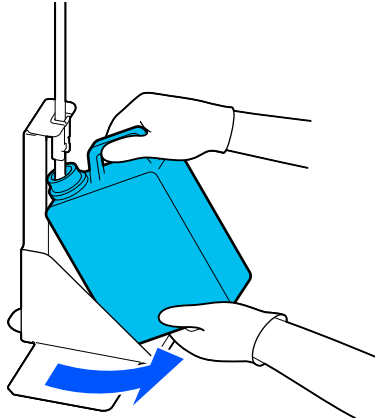
Important:

You need the caps when disposing of the waste ink bottle. Keep them in a safe place.

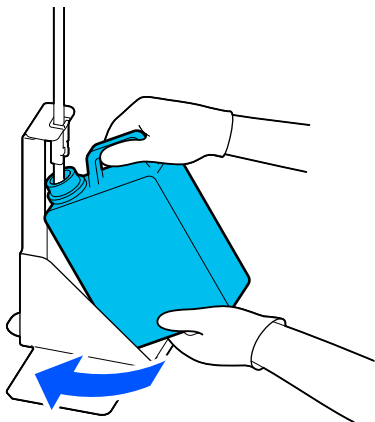


Maintenance

- 2** Remove the Waste Ink Bottle from the Waste Ink Bottle holder.



- 3** Insert the waste ink tube into the mouth of the new Waste Ink Bottle and place the Waste Ink Bottle in the holder.



Tightly seal the lid on the used Waste Ink Bottle.

- 4** On the control panel screen, press **OK**.
The waste ink counter is cleared.

! **Important:**

Make sure that the waste ink tube is inserted into the neck of the bottle. If the waste ink tube comes out of the bottle, waste ink will spill out.

Dispose of the waste ink with the waste ink bottle. Do not pour it into another container.

Note:

Note the following points when transferring waste ink from the waste ink bottle to another container.

- Use a container made of PE (polyethylene) when transferring the waste ink.
- Attach the spout included with the printer to the rim of the waste ink bottle and transfer the waste ink.
- Pour the waste ink carefully. Pouring the waste ink quickly may cause it to spill and splatter.
- Store the waste ink by securely closing the lid of the container to which you transferred it.

Disposal of used consumables

 ["Disposal" on page 97](#)


Maintenance

Replacing the Head Cleaning Set

Preparing and Replacement Timing

When The Head Cleaning Set is nearing the end of its service life, is displayed, or when  is displayed in the head cleaning set status display

Prepare a new head cleaning set as soon as possible.

When you want to replace it immediately, press in the order of  (menu) - **Maintenance** - **Replace Maintenance Parts** - **Head Cleaning Set** on the control panel screen, and then do the replacement work. If you do not do the replacement work from the settings menu, the head cleaning set counter cannot operate correctly.

Important:

About the Head Cleaning Set Counter

The printer tracks amounts consumed using the head cleaning set counter and displays a message when the counter reaches the warning level.

*If you replace the head cleaning set according to the message **Head Cleaning Set is at the end of its service life.**, the counter is cleared automatically.*

If you replace it before this message is displayed, be sure to do the replacement work from the settings menu.

When Head Cleaning Set is at the end of its service life, is displayed

See the following page, and replace all the parts included in the head cleaning set. Printing cannot be performed if the parts are not replaced.

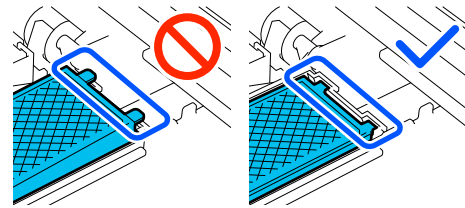
The head cleaning set contains one of each of the following parts.


- Wiper unit
- Capping station
- Flushing pad

Precautions When Replacing Parts

Important:

- If you raise the flushing pad with too much force when removing it, waste ink may spray out. Take care when performing these operations.*
- After replacing the pad with a new flushing pad, check that it is installed correctly. If the hooks are raised when printing, the print head could be damaged.*



- Before starting this procedure, be sure to read the following:
 [“Cautions when operating” on page 78](#)

Note:

After replacing the wiper unit, the print head moves to the maintenance position.

The buzzer sounds 10 minutes after the print head is moved (default setting).


*Check the message on the screen, press **OK**, and then continue working. After 10 more minutes have passed, the buzzer sounds again.*

Replacement procedure

Always choose a replacement head cleaning set that is specified for this printer.

 [“Options and Consumable Products” on page 129](#)

- 1** On the **Head Cleaning Set is at the end of its service life.** screen, press **OK**.

When the message is not displayed, press in the order of  (menu) - **Maintenance** - **Replace Maintenance Parts** - **Head Cleaning Set**.

- 2** Check the message, and then press **Start**.

The platen moves to the maintenance position.

Maintenance

- 3 Press **How To...** to view the procedure.
Follow the on-screen instructions to perform the procedure.

Disposal of used consumables

 ["Disposal" on page 97](#)

Other Maintenance

Shaking the Ink Supply Units Periodically

If a message is displayed informing you that it is time to shake the ink, remove the ink supply unit immediately and shake it.

Important:

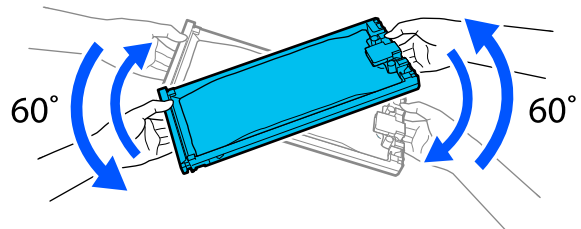
Due to characteristics of the ink used in this printer's ink supply units, it is prone to gradual sedimentation (components settling to the bottom of the liquid). If ink settles, tint unevenness and nozzle clogs occur. Shake ink supply units periodically after installing them.

After installing an ink supply unit in the printer, a message prompting you to shake the unit is displayed at the following intervals.

- White ink (WH): Once every 24 hours
- Other inks: Once every month

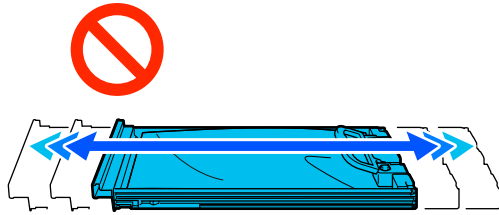
Precautions When Shaking

- Place your hand on the bottom of the ink tray while removing it. If you use only one hand, the weight of the tray may cause it to fall, and be damaged, as you remove it.
- When shaking the ink supply unit, set it in the ink tray and shake it up and down at an angle of about 60 degrees 5 times in 5 seconds as shown in the following illustration.



Maintenance

- Do not forcefully shake or swing ink supply units or ink tray containing ink supply units. Ink could leak.

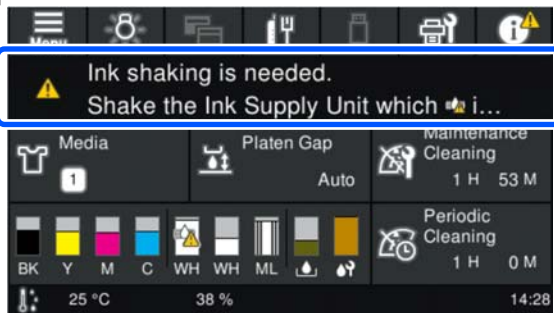


- Removed ink supply units may have ink around the ink supply port, so be careful not to get any ink on the surrounding area when removing the ink supply units.

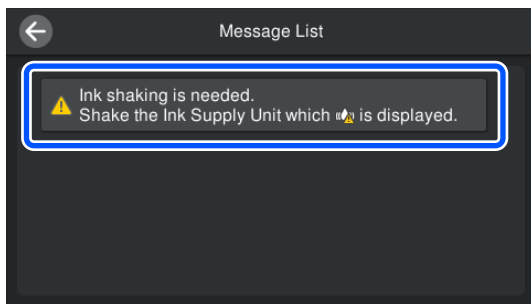
Shaking

If a message is displayed informing you that it is time to shake the ink, you can check the procedure on the control panel while shaking the ink supply unit.

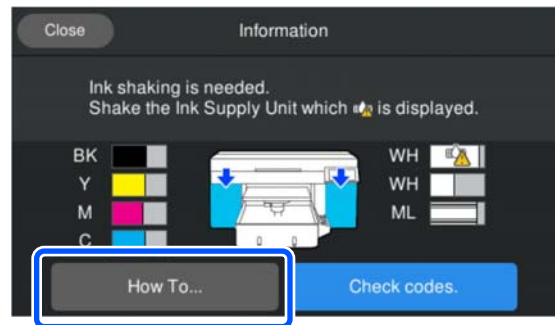
- On the screen, press the status display area.



- In the **Message List**, press the message informing you that it is time to shake the ink.



- Press **How To...** to view the procedure. Follow the on-screen instructions to perform the procedure.



Checking for clogged nozzles

We recommend that you check the nozzles for clogs each time you print to ensure quality results.

Ways to Check for Clogs

There are the following two ways to check for clogged nozzles.

Perform auto cleaning

The printer automatically checks for clogged nozzles, and then executes cleaning at the optimum strength. If the nozzles are not clogged, cleaning is not done. See the following for more details.

[“Head Cleaning” on page 93](#)

On-Demand Nozzle Pattern

When you want to check that there is no clogging or stripes and unevenness in print results before printing, print a nozzle check pattern. Inspect the printed check pattern visually to determine whether the nozzles are clogged.

See the following for how to print a check pattern.

Supported Media

You need the following media to print a check pattern. The type of media you use varies depending on the **Printer Mode** you are using.

Size

L, M, or S size platen or the medium grooved platen	A4 or letter size
---	-------------------

Maintenance

XS size platen	180 × 200 mm (7.1 × 7.9 in.)
Sleeve platen	100 × 100 mm (3.9 × 3.9 in.)

Media type

White ink mode: Transparent media, such as OHP film, or colored paper*

Color ink mode: Plain paper*

* When a medium grooved platen is installed, use thick paper. If no thick paper is available, replace the platen with the platen provided with the printer, and then print the check pattern.

Attach the media to the platen before printing. See the following section for information on loading media.

Loading media

Check the following points before loading the media.

When using the medium grooved platen

Remove spacer A and leave only spacer B attached.

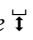
 [“Attaching and Removing Spacers” on page 59](#)

When Platen Gap is set to Manual in Media Settings

Change the setting to Auto.

 [“Media Settings menu” on page 108](#)

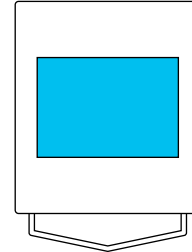
1 Check that the platen is ejected forward.

Note:
If the platen does not move forward, press the  button to move it forward.

2 Place the media in the positions shown in the illustrations.

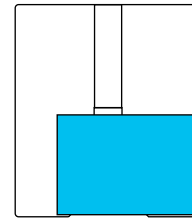
L/M/S/XS size platens

Load media in the center of the platen.



Medium grooved platen

Load media on the front right-side of the platen.



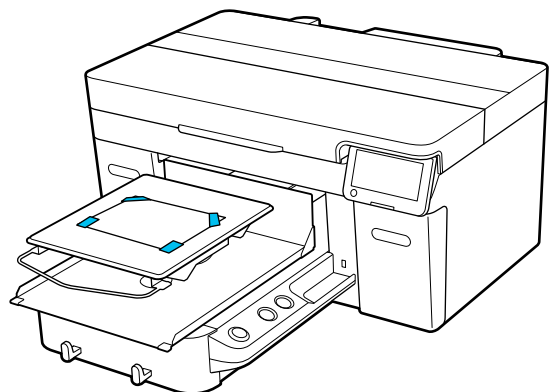
Sleeve platen

Load media in the center of the raised section.



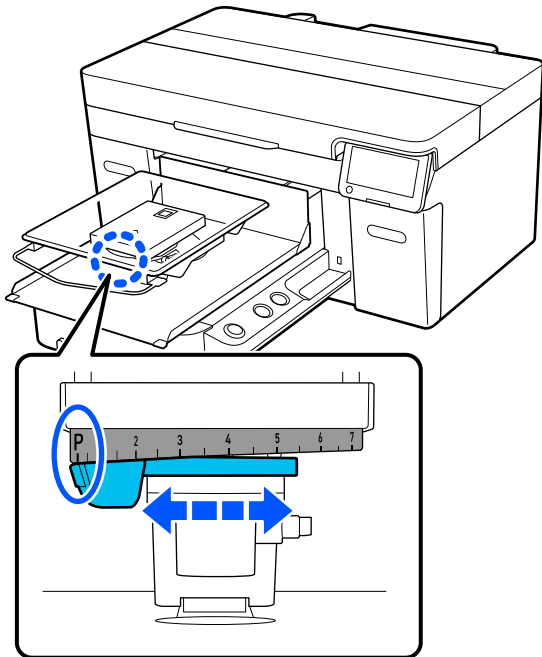
Make sure you place the media in the positions shown in the illustrations. If it is placed in a different position, the platen may be soiled with ink.

3 Secure the media with cellophane tape and so on to keep it in place.



Maintenance


- 4 Check that the scale on the platen gap lever is set to P.



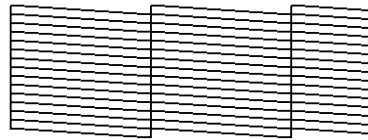
See the following for how to change the platen position.

[“Changing the Height of the Platen” on page 60](#)

How to Print a Nozzle Check Pattern

- 1 Press in the order of  (menu) - **Maintenance - Print Head Nozzle Check**.
- 2 Check the which check pattern is set.
The current check pattern type and platen type are displayed on the screen.
 - Pattern Type:**
Normally, **All** is selected to print check patterns for all colors. When you want to check for clogging in **White Only** or **Color Only**, change the setting in **Current Settings**.
 - Platen Type:**
Normally, **Standard/Hanger Platen All Sizes** is selected. When you want to print check patterns using **Medium Grooved Platen** or **Sleeve Platen**, change the setting in **Current Settings**.
- 3 Check that media is loaded on the platen, and then press **Start**.
The nozzle check pattern is printed.

- 4 Check the nozzle check pattern.
Example of clean nozzles



There are no gaps in the check pattern.

Example of clogged nozzles




Perform head cleaning if there are gaps in the nozzle check pattern.

[“Head Cleaning” on page 93](#)

Head Cleaning

For print head cleaning, there are **Auto Cleaning** and three levels of print head cleaning available: **Cleaning (Light)**, **Cleaning (Medium)**, and **Cleaning (Heavy)**.

Perform **Auto Cleaning** first. If the clogs are not cleared by doing it, then do in the order of **Cleaning (Light)**, **Cleaning (Medium)** and **Cleaning (Heavy)** until the clogs are cleared.

- 1 Confirm that the power is turned on, and then press in the order of  (menu) - **Maintenance - Head Cleaning**.
- 2 Select a cleaning method.
 - When Auto Cleaning is selected**
Go to step 4.
 - When a Cleaning Level is selected**
When cleaning all the rows, select **All Nozzles**, and then go to step 4.
When checking a nozzle check pattern to specify which rows to clean, go to the next step.

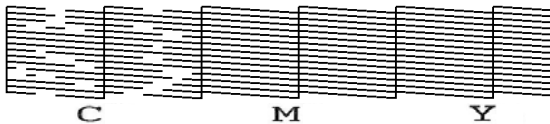
Maintenance

- 3** Confirm the nozzle check pattern, select the nozzle rows for cleaning, and then press **OK**.

The text printed on the bottom of the nozzle check pattern indicate the combination of ink color and nozzle row.

Confirm which rows are missing in the nozzle check pattern, and then select the rows to clean in the print head for the Colors and White.

For the situation shown in the following illustration, select **C**.



- 4** Check the message, and then press **Start**.

Cleaning starts. When cleaning is finished, we recommend that you select **Yes** in the confirmation screen, and then print a nozzle check pattern to confirm that the clogs have been eliminated.

If clogging is cleared


Continue with normal operations.

If clogging is not cleared

Go back to step 1 and execute Cleaning (Light). After executing Cleaning (Light), execute the next higher level of cleaning.

When nozzles remain clogged even after cleaning the print head several times

The edge of the metal may be soiled. Perform the following.

 [“Clean around the print head and the edges of the metal” on page 81](#)

Changing the Printer Mode

Change the **Printer Mode** in the following situations.

- When White ink is not used for a specified period of time
- When White ink is used again

When using **High speed color mode**, you cannot change the **Printer Mode**.

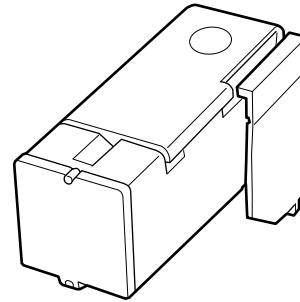
Preparation

Prepare the following according to the color mode being changed to. Prepare new ink when the ink is running low for anything except for White and the cleaning ink supply unit.

Color ink mode -> White ink mode

Two WH Ink Supply Units


You only need the ink charging unit supplied (shown in the following illustration) when switching to **White ink mode** for the first time. It is not required for the second and subsequent changes.



White ink mode -> Color ink mode

Two Cleaning Ink Supply Units

Changing method

- 1** Check that the power is on, and then press  (menu) - **General Settings** - **Printer Settings** - **Printer Mode**.

- 2** Select the mode to which you want to switch.

Maintenance

- 3** Check the on-screen messages, and then press **Start**.

Follow the on-screen instructions to perform the procedure.

Press **How To...** on the screen to view the work procedure.

When it is complete, the processing screen on the control panel changes to the settings screen.

When you have switched from **White ink mode** to **Color ink mode**, see the following section to clean the ink supply port for the removed White ink supply unit before storing it.

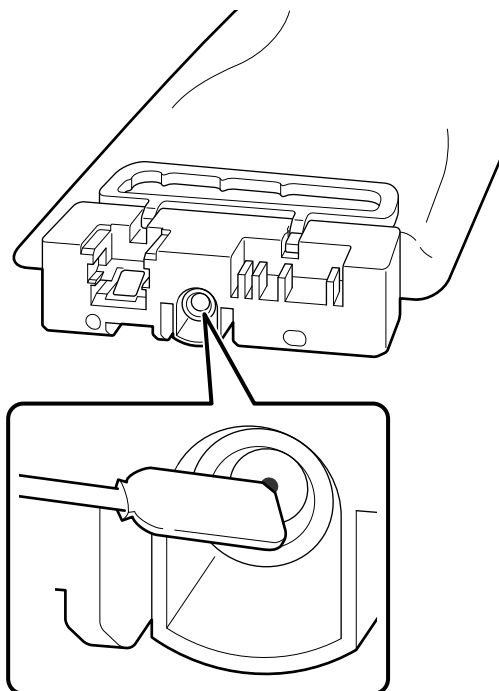
Note:

When switching to White ink mode after using Color ink mode for a long time, the density of the White ink may be low. If the density is too low, see the following.

☞ "Not enough or uneven whiteness" on page 124

Cleaning the ink supply port and storing

Lightly touch the corner of a wide Cleaning Stick from the supplied Maintenance Kit to the hole of the ink supply port to absorb the ink. You do not need to wipe off the ink. Do not forcefully press or move the Cleaning Stick.



Observe the following precautions when storing the partially used Ink Supply Units that were removed.

☞ ["Notes on Handling Ink Supply Units/Cleaning Ink Supply Units" on page 26](#)

Precautions when using the printer for a long time in Color ink mode

When you use the printer in **Color ink mode** for more than two months, the following message is displayed prompting you to perform cleaning to prevent nozzles that are not being used from clogging.

To continue printing in Color ink mode, you need to perform regular cleaning to prevent the nozzles from clogging.

When this message is displayed, performing cleaning as soon as possible.

Maintenance

Pre-Storage Maintenance for Long-Term Non-Use

Always perform pre-storage maintenance if the printer will not be used (and will be switched off) for an extended period.

! **Important:**

If you do not perform pre-storage maintenance, a print head nozzle could become permanently clogged.

If you do not print for a long time and do not perform pre-storage maintenance, turn the printer on at least once every seven days.

Pre-storage Maintenance Timing

The pre-storage maintenance process varies depending on the length of time the printer is not used, as shown below.

Two weeks or more but less than one month (only when used in White ink mode)

Change to **Color ink mode**.

 [“Changing the Printer Mode” on page 94](#)

One month or more

See the following to do **Keeping Preparation**.

When performing **Keeping Preparation**, prepare six Cleaning Ink Supply Units and a new Waste Ink Bottle.


 [“Options and Consumable Products” on page 129](#)

Performing Pre-storage Maintenance

! **Important:**

If the amount of remaining ink or cleaning liquid is insufficient, the function may not operate. If there is an insufficient amount of ink remaining, have new Ink Supply Units/Cleaning Ink Supply Units on hand as a precaution.

1

Confirm that the power is turned on, and then press in the order of  (menu) - **Maintenance - Keeping Preparation**.

2

Check the on-screen messages, and then press **Start**.

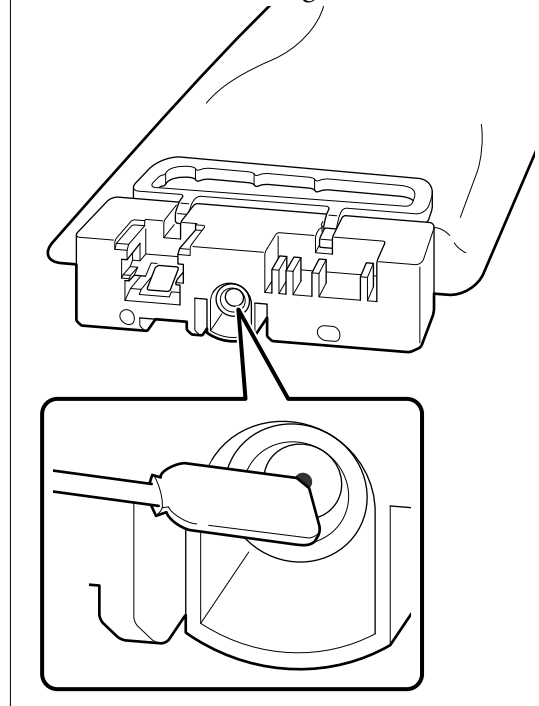
Follow the on-screen instructions to perform the procedure.

Press **How To...** on the screen to view the work procedure.

! **Important:**

Before storing them, clean off any ink stuck on the ink supply ports of the ink supply units that you removed. Clean using the wide cleaning stick from the Maintenance Kit supplied.

- Use a new Cleaning Stick for each color to avoid mixing the colors.
- Lightly touch the corner of the cleaning stick to the hole of the ink supply port to absorb the ink. You do not need to wipe off the ink. Do not forcefully press or move the Cleaning Stick.



3

When the replacement complete message is displayed, turn off the power.

Maintenance

Observe the following precautions when storing the printer and the partially used Ink Supply Units that were removed.

 [“Notes for when not using the printer” on page 26](#)

 [“Notes on Handling Ink Supply Units/Cleaning Ink Supply Units” on page 26](#)

Restarting use of the printer

Important:

When restarting use of the printer, charge the printer with ink. When charging with ink supply units that were removed, have new ink supply units on hand as a precaution.

Turn on the printer, and then follow the instructions on the control panel to replace the Waste Ink Bottle and install the Ink Supply Units.

Press **How To...** on the screen to view the work procedure.

Note:

When White ink mode is selected, after restarting use of the printer, the density of the White ink may be low. If the density is too low, see the following.

 [“Not enough or uneven whiteness” on page 124](#)

Disposal of Used Consumables

Disposal

The following used parts with adhered ink or pre-treatment liquid are classified as industrial waste.

- Cleaning stick
- Clean-room wiper
- Soft cloth
- Ink cleaner
- Waste ink
- Waste ink bottle
- Wiper unit
- Capping station
- Flushing pad
- Media after printing
- Empty Ink Supply Units, Cleaning Ink Supply Units, and used pre-treatment liquid units
- Funnel filter

Dispose of tube cleaning liquid according to your local laws and statutes such as entrusting it to an industrial waste disposal company. In such cases, submit the “Safety data sheet” to the industrial waste disposal company.

You can download it at your local Epson Web site.

Control Panel Menu

Menu List

The following items and parameters can be set and executed in the Menu. See the reference pages for more details on each item.

Reprint

By selecting this you can reprint (repeat print) print jobs that are stored in the USB memory stick that is connected to the printer. See the following for more details.

[🔗 “When reprinting \(repeat printing\) the same job” on page 70](#)

Platen Height Adjustment

When using media with an unknown thickness, select this menu to check the appropriate platen height.

[🔗 “Changing the Height of the Platen” on page 60](#)

General Settings

For more information on these items, see [🔗 “General Settings menu” on page 103](#)

Setting Item	Setting
Basic Settings	
LCD Brightness	1 to 9
Sounds	
Button Press	0 to 3
Completion Notice	0 to 3
Ready Notice	0 to 3
Print Completion Notice	0 to 3
Warning Notice	
Volume	0 to 3
Repeat	Off, Until Stopped
Error Tone	
Volume	0 to 3
Repeat	Off, Until Stopped
Sound Type	Pattern1, Pattern2

Control Panel Menu

Setting Item	Setting
Sleep Timer	
Off	
On	1 to 240 minutes
Wake from Sleep	
Touch LCD Screen to Wake	On, Off, Scheduled (every 15 minutes from 0:00 to 23:45)
Date/Time Settings	
Date/Time	
Daylight Saving Time	Winter, Summer
Time Difference	-12:45 to +13:45
Language	Dutch, English, French, German, Italian, Japanese, Korean, Portuguese, Russian, Simplified Chinese, Spanish, Traditional Chinese, Turkish
Screen Customization	
Background Color	Gray, Black, White
Print Standby Screen	Automatic, Thumbnail View, Info View
Keyboard	QWERTY, AZERTY, QWERTZ
Unit Settings	
Length Unit	m, ft/in
Temperature	°C, °F
Printer Settings	
Printer Mode*	White ink mode, Color ink mode
Head Movement Range	Data Width, Printer Width
Inside Light	Auto, Manual
Restore Default Settings	Network Settings, Clear All Data and Settings
Maintenance Setting	


Control Panel Menu

Setting Item	Setting
Cleaning Setting	
Threshold of Clogged Nozzles	<input type="checkbox"/> When Color ink mode is selected: 1 to 1600 <input type="checkbox"/> When White ink mode/High speed color mode is selected: 1 to 3200
Max Retry Cleaning Count	0 to 2
Actions Beyond Threshold of Missing Nozzles	Stop Printing, Show Alert, Auto Cleaning
Periodic Cleaning	
Scheduled	1 to 9999
Pages	1 to 9999
Off	
Power On Cleaning	On, Off
Network Settings	
Network Status	Wired LAN Status, Print Status Sheet
Advanced	
Device Name	
TCP/IP	
Proxy Server	
IPv6 Address	Enable, Disable
Link Speed & Duplex	Auto, 100BASE-TX Auto, 10BASE-T Half Duplex, 10BASE-T Full Duplex, 100BASE-TX Half Duplex, 100BASE-TX Full Duplex
Redirect HTTP to HTTPS	Enable, Disable
Disable IPsec/IP Filtering	
Disable IEEE802.1X	

*This is not displayed when **High speed color mode** is selected when charging ink for the first time.

Media Settings

This menu can be accessed directly by pressing the media info area on the screen.

For more information on these items, see  [“Media Settings menu” on page 108](#)


Setting Item	Setting
Current Settings	
Media	01 to 30
Platen Gap	Auto, Manual
Print Adjustments	

Control Panel Menu

Setting Item	Setting
Print Head Alignment	
Standard	
Dark Media*	-8 to +8
Light Media	
Micro Adjust	-10 to +10
Media Feed Adjustment	-1.00 to 1.00%
Media Management	
01 XXXXXXXXXXXX to 30 XXXXXXXXXXXX	
Change Name	
Platen Gap	
Auto	
Reference Height	Standard, Bottom, Top
Manual	
Value	

*Displayed only when **White ink mode** is selected.

Maintenance

For more information on these items, see  [“Maintenance menu” on page 110](#)

Setting Item	Setting
Print Head Nozzle Check	
Pattern Type*	All, White Only, Color Only
Platen Type	Standard/Hanger Platen All Sizes, Medium Grooved Platen, Sleeve Platen
Head Cleaning	

Control Panel Menu

Setting Item	Setting
Auto Cleaning	
Cleaning (Light)	
All Nozzles	
Select Nozzles	Color, White
Cleaning (Medium)	
All Nozzles	
Select Nozzles	Color, White
Cleaning (Heavy)	
All Nozzles	
Select Nozzles	Color, White
Replace Maintenance Parts	Head Cleaning Set, Waste Ink Bottle
Cleaning the Maintenance Parts	Around the Head, Suction Cap, Sensor Cover
Keeping Preparation	

*Displayed only when **White ink mode** is selected.

Supply Status

Details on menu  [“Supply Status menu” on page 112](#)

Replacement Part Information

Select this to display the degree of wear on replacement parts, such as the Print Head. When the service life of replacement parts approaches, **Maintenance Request** is displayed.

 [“When a Maintenance Request/Printer Error Occurs” on page 115](#)

Status

Details on menu  [“Status menu” on page 112](#)

Online Manuals

A QR code is displayed that allows you to access the *Online Manual* directly.

Depending on your location, this menu may not be displayed.

Control Panel Menu

Details of the Menu

General Settings menu


* indicates default settings.

Setting Item	Setting	Explanation
Basic Settings		
LCD Brightness	1 to 9 (9*)	Adjust the brightness of the control panel's screen.
Sounds		
Button Press	0 to 3 (1*)	Set the volume of the sounds when menus and other items are pressed on the control panel screen.
Completion Notice	0 to 3 (3*)	Set the volume of the sounds when print jobs or maintenance operations are finished.
Ready Notice	0 to 3 (3*)	Set the volume of the sound when the printer becomes ready for printing.
Print Completion Notice	0 to 3 (0*)	Set the volume of the sound when a T-shirt (media) is ready to be removed.
Warning Notice		Set the repetition and volume of the sounds for notifications, such as when to replace consumables and when to clean parts.
Volume	0 to 3 (2*)	
Repeat	Off* Until Stopped	
Error Tone		Set the repetitions and the volume of the sounds when an error occurs that stops printing.
Volume	0 to 3 (3*)	
Repeat	Off Until Stopped*	
Sound Type		Set the type of sounds. Sounds that are easy to hear in the printer's operating environment can be set.
	Pattern1* Pattern2	
Sleep Timer		The printer enters sleep mode when no errors are detected and no print jobs have been received for a specific time. When the printer enters sleep mode, the control panel's screen and other parts turn off to reduce power consumption.
Off		
On	1 to 240 (15*)	Touch the control panel screen, to reactivate the screen display. When a print job is received or a hardware operation is done to recover from sleep mode, some time is needed for the printer to restart.



Control Panel Menu

Setting Item	Setting	Explanation
Wake from Sleep		
Touch LCD Screen to Wake	On*	Sets whether or not screen operations that are made during sleep mode will wake the printer from sleep mode. When Off is selected, press the power button to wake the printer from sleep mode. When Scheduled is selected, you can specify the time within which the printer will wake from sleep mode by screen operations from 0:00 to 23:45 in 15-minute increments.
	Off	
	Scheduled (6:00 to 21:00*)	
Date/Time Settings		
Date/Time		Set the printer's built-in clock. The time that is set here is displayed on the home screen. It is also used for job logs and the printer's status as shown in Epson Edge Dashboard.
Daylight Saving Time	Winter*	You can set whether to apply daylight saving time to the clock.
	Summer	
Time Difference	-12:45 to +13:45	Set the time difference in the coordinated universal time (UTC) in 15 minute increments. Set this as necessary, such as when managing the printer in a network environment that has time differences.
Language	Dutch	Select the language used in the control panel display.
	English*	
	French	
	German	
	Italian	
	Japanese	
	Korean	
	Portuguese	
	Russian	
	Simplified Chinese	
	Spanish	
	Traditional Chinese	
Turkish		

Control Panel Menu

Setting Item	Setting	Explanation
Screen Customization		
Background Color	Gray	Select the color scheme used in the control panel screen. You can set a color scheme that is easy to see in the printer's operating environment.
	Black*	
	White	
Print Standby Screen	Automatic*	<p>You can select the screen that is displayed after a print job is received. No matter what setting you select, if you press  (switch display), you can switch between the preview screen (thumbnail view) and the information screen.</p> <p>When Thumbnail View is selected, the preview screen appears when a print job is received, but after printing starts, the display does not change to the information screen.</p> <p>When Info View is selected, the information screen is displayed as soon as a print job is received.</p>
	Thumbnail View	
	Info View	
Keyboard	QWERTY*	Select the key layout for the text input screen that appears, such as when inputting names to register for media settings.
	AZERTY	
	QWERTZ	
Unit Settings		
Length Unit	m*	Set the units of length used in the control panel screen and when printing test patterns.
	ft/in	
Temperature	°C*	Set the temperature units used on the control panel screen.
	°F	
Printer Settings		

Control Panel Menu

Setting Item	Setting	Explanation
Printer Mode	White ink mode	You can switch the ink mode used when printing.
	Color ink mode	You can reduce consumption of WH ink by changing to Color ink mode for a specified period of time during which WH ink is not used for any printing. For details on execution conditions and procedure, see: 📖 "Changing the Printer Mode" on page 94
Head Movement Range	Data Width*	This menu is not displayed when High speed color mode is selected when charging ink for the first time.
	Printer Width	You can set the range in which the print head moves during printing. With Data Width , the print head moves in the range of the width of the data. Narrowing the range of print head movement increases print speed. With Printer Width , the print head moves in the range of the width of the largest media supported by the printer. Set this option if you need print quality that is more uniform and consistent.
Inside Light	Auto*	Select whether the inside light turns on and off automatically.
	Manual	With Auto , the light automatically turns on for operations that need light, such as while printing, and turns off when that operation is complete. With Manual , the light turns on and off only when you press  on the control panel. When you press  during an operation that does not allow the light to turn on, the light turns on as soon as possible.
Restore Default Settings	Network Settings	Selecting Network Settings returns just the values set in General Settings - Network Settings to their default setting values.
	Clear All Data and Settings	Selecting Clear All Data and Settings returns all the values set in the printer's menus to their default settings.
Maintenance Setting		

Control Panel Menu

Setting Item	Setting	Explanation
Cleaning Setting		
Threshold of Clogged Nozzles		<p>The printer automatically checks whether the print head nozzles are clogged before printing and when cleaning is executed. The result of the check is that the printer detects, as a clogged nozzle, that the amount of ink being output has fallen below the amount to maintain normal print quality.</p> <p>These setting items are for settings related to the maintenance that is performed when clogged nozzles are detected. These settings are applicable for the following.</p> <ul style="list-style-type: none"> <input type="checkbox"/> Automatic checking for clogged nozzles before printing <input type="checkbox"/> Auto Cleaning <input type="checkbox"/> Periodic Cleaning <p>Threshold of Clogged Nozzles sets the number of clogged nozzles at which maintenance should be performed. The values that you can set vary as shown below depending on the selected Printer Mode.</p> <ul style="list-style-type: none"> <input type="checkbox"/> When Color ink mode is selected: 1 to 1600 (the default setting is 50) <input type="checkbox"/> When White ink mode/High speed color mode is selected: 1 to 3200 (the default setting is 50) <p>Max Retry Cleaning Count sets the number of times maintenance is repeated if nozzles are still clogged after doing maintenance one time.</p>
Max Retry Cleaning Count	0 to 2 (0*)	
Actions Beyond Threshold of Missing Nozzles	Stop Printing	<p>Before printing, set the operation to perform when the number of clogged nozzles exceeds the number set in Cleaning Setting - Threshold of Clogged Nozzles.</p> <p>Stop Printing displays the Auto Nozzle Maintenance found that the allowable number of clogged nozzles has been exceeded. The print quality may decline. message on the control panel screen, and then stops printing and stands by.</p> <p>Show Alert displays the above message on the control panel screen, but continues printing without stopping.</p> <p>Auto Cleaning performs maintenance before printing starts.</p>
	Show Alert*	
	Auto Cleaning	
Periodic Cleaning		
Scheduled	1 to 9999 (60*)	<p>You can set either time (minutes) or number of pages printed for the timing at which to perform cleaning so as to keep the print head nozzles in optimum condition.</p> <p>Periodic cleaning is not done if you select Off.</p>
Pages	1 to 9999 (50*)	
Off*		
Power On Cleaning	On*	<p>Set whether the printer automatically performs cleaning when the power is turned on so as to keep the print head nozzles in optimum condition.</p>
	Off	
Network Settings		

Control Panel Menu



Setting Item	Setting	Explanation
Network Status	Wired LAN Status	You can check all the information for the various network settings that are set in Advanced . Selecting Print Status Sheet prints a list of the settings.
	Print Status Sheet	
Advanced		
Device Name		Set individual network settings. When using 1000BASE-T Full Duplex, set Link Speed & Duplex to Auto .
TCP/IP		
Proxy Server		
IPv6 Address	Enable*	
	Disable	
Link Speed & Duplex	Auto*	
	100BASE-TX Auto	
	10BASE-T Half Duplex	
	10BASE-T Full Duplex	
	100BASE-TX Half Duplex	
	100BASE-TX Full Duplex	
Redirect HTTP to HTTPS	Enable*	
	Disable	
Disable IPsec/IP Filtering		
Disable IEEE802.1X		

Media Settings menu


* indicates default settings.

Setting Item	Setting	Explanation
Current Settings		
Media	01 to 30	Displays a list of the values set for the currently selected media settings. You can change the set values by pressing on a setting item.
Platen Gap	Auto	
	Manual	
Print Adjustments		

Control Panel Menu

Setting Item	Setting	Explanation
Print Head Alignment		<p>There is a small gap between the print head and the media. The following factors may cause misalignment in the print position, resulting in graininess or an out-of-focus appearance (ruled lines misaligned, jagged edges to fine text).</p> <ul style="list-style-type: none"> <input type="checkbox"/> Temperature or humidity <input type="checkbox"/> Differences in media thickness, surface shape, and so on <input type="checkbox"/> Platen height <p>This adjustment adjusts small misalignments in the positions that ink is output during bi-direction printing. In the following situations, print results are not improved even if you do these adjustments.</p> <ul style="list-style-type: none"> <input type="checkbox"/> Print Direction is set to Uni-Direction (Low Speed) in Garment Creator 2, the specialized software for the printer. <input type="checkbox"/> When doing repeat printing or printing from a USB memory, Current Settings - Head Move Direction is set to Uni-Directional. <p>See the following for more details.</p> <p> "Execute Print Head Alignment" on page 122</p>
Standard		
Dark Media (Displayed only when White ink mode is selected.)	-8 to +8	
Light Media		
Micro Adjust	-10 to +10	
Media Feed Adjustment	-1.00 to 1.00%	<p>There is a small gap between the print head and the media. The following factors may cause misalignment in the print position and horizontal stripes (banding) to occur.</p> <ul style="list-style-type: none"> <input type="checkbox"/> Temperature or humidity <input type="checkbox"/> Differences in media thickness, surface shape, and so on <input type="checkbox"/> Platen height <p>Use this adjustment to adjust how far (width) the platen feeds between each movement of the print head.</p> <p>When the banding colors are dark, change the values to the + side; when the colors are faint (whitish), change them to the - side. First set 0.1% (or -0.1%), and check the printout, then do further adjustments as needed.</p> <p>Read the following before doing these adjustments.</p> <p> "Precautions when executing Print Adjustments" on page 121</p>
Media Management		

Control Panel Menu

Setting Item	Setting	Explanation
01 XXXXXXXXXXXX to 30 XXXXXXXXXXXX (shows the registered name)		
Change Name		Assign a name of up to 20 characters to the media settings to be saved. (You can use either 1-byte or 2-byte characters) Assigning descriptive names makes them easier to identify when making a selection later.
Platen Gap		<p>The printer uses sensors to automatically detect the surface of the media that is loaded on the platen so it can print with an appropriate Head Height (platen gap). Normally, keep this set to Auto when using the printer. In the following situations, we recommend setting Manual.</p> <ul style="list-style-type: none"> <input type="checkbox"/> When the media is not loaded uniformly <input type="checkbox"/> When there are wrinkles or fuzz due to the texture or material of the media
Auto*		The surface of the media that is loaded on the platen is detected automatically, aligned to the set head height (platen gap), and then printing is done.
Reference Height	Standard*	Set the position of the surface of the media as a reference when deciding the gap between the print head and the media. Normally, keep this set to Standard when using the printer.
	Bottom	Change this setting only when using the media's highest position and lowest position as references.
	Top	
Manual		<p>Prints with a fixed gap between the print head and the media.</p> <p>When Head Height is set to Auto, the reference height that is detected may vary, because of wrinkles or fuzz caused by the texture or material of the media that is loaded as well as its loading condition. Variations in the reference height causes small differences to occur in the head height (platen gap), so inconsistencies may occur in the print results. To eliminate these inconsistencies, set Manual, such as when you want to fix the head height and print.</p> <p>When changing to Manual, you need to determine the combination of spacers and the scale position of the platen gap lever according to the type of platen being used and the thickness of the media being loaded, and then you need to check the platen height again.</p> <p>See the following for more details.</p> <p> "Set Platen Gap to Manual" on page 125</p>

Maintenance menu

* indicates default settings.

Setting Item	Setting	Explanation
Print Head Nozzle Check		

Control Panel Menu

Setting Item	Setting	Explanation
Pattern Type (Displayed only when White ink mode is selected.)	All, White Only, Color Only	A check pattern is printed to check for clogged nozzles in the print head. Inspect the printed pattern visually and perform Head Cleaning if there are faint or missing parts. ☞ "Checking for clogged nozzles" on page 91
Platen Type	Standard/Hanger Platen All Sizes, Medium Grooved Platen, Sleeve Platen	The print position of the check pattern varies depending on the selected setting value (platen type). Select the setting value according to the platen currently installed on the printer.
Head Cleaning		
Auto Cleaning		The printer automatically checks for clogged nozzles and then performs head cleaning with the appropriate strength. If the clogs are not cleared after doing this, then do in the order of Cleaning (Light) , Cleaning (Medium) and Cleaning (Heavy) until the clogs are cleared.
Cleaning (Light)		<p>You can set one of three types of print head cleaning levels. Perform Cleaning (Light) first. If the clogs are not cleared after doing this, then do Cleaning (Medium), and then Cleaning (Heavy).</p> <p>Find the number of the patterns with faint or missing areas on the printed check pattern sheet, and then you can specify and clean all nozzle rows or clean specific nozzle rows for white or color.</p> <p>☞ "Head Cleaning" on page 93</p>
All Nozzles		
Select Nozzles	Color	
	White	
Cleaning (Medium)		
All Nozzles		
Select Nozzles	Color	
	White	
Cleaning (Heavy)		
All Nozzles		
Select Nozzles	Color	
	White	
Replace Maintenance Parts	Head Cleaning Set	Use this menu when replacing maintenance parts before the message indicating it is time to replace maintenance parts is displayed on the control panel screen.
	Waste Ink Bottle	
Cleaning the Maintenance Parts	Around the Head	<p>Be sure to use this menu to clean the Print Head and edges of the metal. Also, use this menu when cleaning the Suction Cap and Sensor Cover before the message indicating it is time to clean them is displayed on the control panel screen.</p> <p>You cannot clean them correctly unless the Print Head and platen are moved to the maintenance positions.</p>
	Suction Cap	
	Sensor Cover	
Keeping Preparation		<p>Always perform this maintenance if the printer will not be used (and will be switched off) for one month or more.</p> <p>See the following for more details.</p> <p>☞ "Pre-Storage Maintenance for Long-Term Non-Use" on page 96</p>

Control Panel Menu

Supply Status menu

Setting Item	Setting	Explanation
Ink/Waste Ink Bottle/Head Cleaning Set		
Ink		Displays the remaining ink levels and ink part numbers
Waste Ink Bottle		Displays the space available in the Waste Ink Bottle
Head Cleaning Set		Displays the consumption level of the Wiper Unit







Status menu

Setting Item	Setting	Explanation
Firmware Version		Displays the selected information. Printer Name is the name set in Epson Edge Dashboard.
Printer Name		
Fatal Error Log		
Operation Report	Total Print Numbers	
	Total Carriage Pass	

Problem Solver

What to Do When a Message Is Displayed

If the printer displays one of the messages shown below, refer to the solution listed and take the necessary steps.

Message	What to do
It is time to clean the Sensor Cover.	The surface of the Sensor Cover is dirty. See the following to do cleaning.  "Cleaning the Sensor Cover" on page 80
The Sensor Cover cannot be recognized.	If you continue to use the printer while the Sensor Cover is dirty, the sensor cannot correctly detect the position of the platen, so printing may not be done at an appropriate head height. We recommend cleaning it immediately if this message is displayed.
It is time to clean the Encoder Scale. See your documentation for details.	The encoder scale is dirty. See the following to do cleaning.  "Cleaning the Encoder Scale" on page 83 If the encoder scale is dirty, the printer will not be able to read the print area accurately and print quality will decline. We recommend cleaning it immediately if this message is displayed.
Printing has stopped. Check whether there is an obstruction inside the printer, and then press [OK].	Check the following points, and then press OK . <input type="checkbox"/> If there are wrinkles in the surface of the media that is loaded on the platen, reload the media so it is flat. <input type="checkbox"/> When loading thick media, check that the spacer combination and platen height (scale) are suitable for the media.  "Determining the Height of the Platen" on page 56 <input type="checkbox"/> Confirm that nothing has fallen into the printer.
Cannot move the movable base. Check around the movable base, and then press [OK].	Check the following points, and then press OK . <input type="checkbox"/> Remove anything that is on the platen other than the media. <input type="checkbox"/> If the surface of the media has risen up or become extremely wrinkled, reload the media so it is flat. <input type="checkbox"/> When you have changed the platen type, check that the spacer combination and platen height (scale) are suitable for the platen type you are using and the thickness of the loaded media.  "Determining the Height of the Platen" on page 56 <input type="checkbox"/> Remove anything that has fallen around the movable base.
Failed to inspect the condition of nozzles. Cannot run "Auto Cleaning". Select cleaning strength manually and run Cleaning.	Printer has exceeded the temperature at which its operations are guaranteed. Adjust the temperature of the room, and then start again.  "Specifications Table" on page 147
No reprint data found. A memory device or USB memory stick is required to reprint. See your documentation for details.	You cannot perform Reprint unless a USB memory stick is connected to the printer.  "When reprinting (repeat printing) the same job" on page 70

Problem Solver

Message	What to do
<p>Cannot use the inserted Memory Device. For details, see your documentation.</p>	<p>Check the following points.</p> <ul style="list-style-type: none"> <input type="checkbox"/> The USB memory stick is corrupt. If it is corrupt, use another USB memory stick. <input type="checkbox"/> There is not enough free space on the USB memory stick or the maximum number of readable files (999) has been exceeded Delete any unnecessary files and so on. <input type="checkbox"/> The USB memory stick was removed from the printer while data was being written/read Before removing the USB, make sure that the USB memory stick light is not flashing or lit.
<p>The combination of the IP address and the subnet mask is invalid. For details, see your documentation.</p>	<p>Input the correct value in the IP address or the default gateway. If you do not know the correct values, check with your network administrator.</p>
<p>Recovery Mode</p>	<p>Firmware update failed, and the printer started in recovery mode. Follow the steps below to update the firmware again.</p> <ol style="list-style-type: none"> 1. Connect the printer directly to the computer using a USB cable. (Updates cannot be performed over a wired LAN connection while the printer is in recovery mode.) 2. Download the latest firmware from the Epson website, and then start the update.

Problem Solver

When a Maintenance Request/Printer Error Occurs

Message	What to do
Maintenance Request: Replace Parts Soon XXXXXXXXXXXXXXXXXXXX	A part used in the printer is nearing the end of its service life. Contact your dealer or Epson Support and tell them the maintenance request code. You cannot clear the maintenance request until the part is replaced. A printer error occurs if you continue to use the printer.
Maintenance Request: End Of Parts Service Life XXXXXXXXXXXXXXXXXXXX	
Printer error. Turn the power off and on again. For details, see your documentation. XXXXXX	Printer error is displayed in the following cases. <ul style="list-style-type: none"> <input type="checkbox"/> The power cable is not connected securely <input type="checkbox"/> An error that cannot be cleared occurs When a printer error occurs, the printer automatically stops printing. Turn off the printer, disconnect the power cable both from the outlet and from the printer, and then reconnect. Turn the printer on and off several times. If the same printer error is displayed on the LCD panel, contact your dealer or Epson Support for assistance. Tell them the printer error code is "XXXXXX".

Troubleshooting

You cannot print (because the printer does not work)

The printer does not turn on.

■ **Is the power cable plugged into the electrical outlet and the printer?**

Make sure the power cable is securely plugged into the printer.

■ **Is there a problem with the power outlet?**

Make sure your outlet works by connecting the power cable for another electric product.

The printer is not communicating with the computer.

■ **Is the cable connected properly?**

Confirm that the interface cable is securely connected to both the printer port and the computer. Also, make sure the cable is not broken or bent. If you have a spare cable, try connecting with the spare cable.

■ **Do the cable's specifications satisfy the requirements of the computer?**

Check the model and specifications of the interface cable to see if the cable is appropriate for the type of the computer and specifications of the printer.

 ["System Requirements" on page 144](#)

■ **If you are using a USB hub, is it being used correctly?**

Up to five USB hubs can be daisy chained according to the USB specifications. However, we recommend that you connect the printer to the first hub connected directly to the computer. Depending on the hub you are using, the operation of the printer may become unstable. If this occurs, connect the USB cable directly to your computer's USB port.

■ **Is the USB hub recognized correctly?**

Check if the USB hub is recognized correctly on the computer. If the computer correctly recognizes the USB hub, disconnect all USB hubs from the computer and connect the printer directly to the computer's USB port. Contact the USB hub manufacturer to find out more about USB hub operations.

You cannot print in the network environment.

■ **Are the network settings correct?**

Ask your network administrator for the network settings.

■ **Connect the printer directly to the computer using a USB cable, and then try to print.**

If you are able to print via USB, there is a problem in the network settings. Ask your system administrator, or refer to the documentation for your network system. If you cannot print via USB, see the appropriate section in this User's Guide.

The printer has an error.

■ **Check the message displayed on the control panel.**

 ["Control Panel" on page 17](#)

 ["What to Do When a Message Is Displayed" on page 113](#)

Problem Solver

The printer operates, but does not print

The print head moves, but does not print.

■ Is the platen gap set correctly?

The printer cannot print properly if the print surface is too far from the print head. When **Platen Gap** is set to **Manual**, check that the spacer combination and platen height (scale) are suitable for the platen type you are using and the thickness of the loaded media.

 ["Table of Supported Label Scales and Media Thickness" on page 141](#)

■ Check the printer operations.

Print a nozzle check pattern. Because a nozzle check pattern can be printed without connecting to a computer, you can check the operations and print status for the printer.

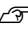
 ["Checking for clogged nozzles" on page 91](#)

Check the next section if the nozzle check pattern is not printed correctly.

The nozzle check pattern is not printed correctly.

■ Has the printer been left unused for a long time?

Nozzles may be dried and clogged if the printer is not used for a long time.

Steps to take when the printer has not been used for a long time  ["Notes for when not using the printer" on page 26](#)

■ Are you in color ink mode?

Cleaning ink supply units are installed in color ink mode, so it is difficult to see the rows (CL) printed with the cleaning liquid.

There is no problem if the rows you cannot see are printed with the Cleaning liquid.

■ Are you printing on paper in White ink mode?

It is hard to see White ink when it is printed on paper. Use an OHP sheet and so on to confirm the nozzle check pattern for White ink.

 ["Loading media" on page 92](#)

If none of the above items are applicable, the nozzles may be clogged. Do these measures in the following order.

1. Execute Head Cleaning

See the following, execute **Head Cleaning**, and then check whether the clogged nozzles were cleared.

 ["Head Cleaning" on page 93](#)

2. Clean the edges of the metal

If fibers stick to the edges of the metal, the fibers may contact the print head when it moves and prevent ink from being output. See the following, and clean around the print head and the edges of the metal. After finishing cleaning, execute **Head Cleaning** again, and then check whether the clogged nozzles were cleared.

 ["Clean around the print head and the edges of the metal" on page 81](#)

3. If the problem is not cleared after executing measures 1 to 2

Contact your dealer or Epson Support.

Problem Solver

Print results are not what you expected

Print quality is poor, uneven, too light, or too dark, or there are lines in the prints.

■ Are the print head nozzles clogged?

If the nozzles are clogged, the corresponding colors do not fire and the print quality declines. Print a nozzle check pattern.

 ["Checking for clogged nozzles" on page 91](#)

Also, if there is fuzz on the print surface, it could contact the print head and cause nozzles to clog. We recommend flattening any fuzz on the media by using a heat press immediately before printing.

■ Have you adjusted the height of the platen?

When **Platen Gap** is set to **Manual**, if the print surface is too far from the print head, the printout may be as follows.

- Lines in the print result
- Edges of the image are blurry
- Text and straight lines are doubled
- Image is grainy

Check that the spacer combination and platen height (scale) are suitable for the platen type you are using and the thickness of the loaded media.

 ["Table of Supported Label Scales and Media Thickness" on page 141](#)

■ Did you perform Print Head Alignment?

The print head normally prints bi-directionally. Lines may appear misaligned due to the misalignment of the print head in bi-directional printing. Try Print Head Alignment when vertical lines are misaligned.

 ["Execute Print Head Alignment" on page 122](#)

■ Perform Media Feed Adjustment.

You may be able to reduce stripes and unevenness by adjusting the amount (width) the platen is fed each time the print head moves.

If the lines are dark, adjust to the + side, and if the lines are faint, adjust to the - side.

 ["Media Settings menu" on page 108](#)

■ Is the encoder scale dirty?

If the encoder scale is dirty, the printer will not be able to read the print area accurately and print quality will decline. If the image quality does not improve after performing **Print Head Alignment** and **Media Feed Adjustment**, see the following to clean the encoder scale.

 ["Cleaning the Encoder Scale" on page 83](#)

■ Are you using the recommended genuine Epson ink supply units?

This printer is developed for use with Epson ink supply units. If you use non-Epson products, printouts may be faint, or the colors may change because the remaining ink levels are not correctly detected. Be sure to use the correct ink supply units.

■ Are you using old ink supply units?

The print quality declines if you use old ink supply units. Replace them with new ink supply units. We recommend using ink supply units before the expiry date printed on the package (within a year once they are installed in the printer).

■ Have you shaken the ink supply units?

The ink supply units for this printer contain pigment ink. Shake the units thoroughly before installing them in the printer. To maintain optimum print quality, we recommend removing and shaking the installed White ink supply unit at the start of every working day and every 24 hours (when a message is displayed), and the other colors once a month.

 ["Shaking the Ink Supply Units Periodically" on page 90](#)

■ Have you compared the printing result with the image on the display monitor?

Since monitors and printers produce colors differently, printed colors and colors on the screen do not always look the same.

■ Did you open the printer cover while printing?

If the printer cover is opened while printing, the print head stops suddenly and this causes unevenness in the color. Do not open the printer cover while printing.

Problem Solver

■ **Is Ink is low. displayed on the control panel?**

The print quality may decline when the ink is low. We recommend replacing the ink supply units with new ones. If there is a difference in color after replacing an ink supply unit, try performing head cleaning a few times.

■ **Are you printing vivid colors?**

Vivid colors may appear as lines depending on the amount of ink fired and the unevenness of the T-shirt surface. Try setting **Quality** for **Color Print Quality** or **White Print Quality** in Garment Creator 2, the software for the printer.

■ **Does the T-shirt you are printing on absorb ink easily?**

As it is difficult to force the ink to remain on the surface of the T-shirt, slight misalignment may appear as lines due to the unevenness of the T-shirt surface when Bi-Direction (High Speed) printing is set for the print head. If this occurs, do Print Head Alignment.

[☞ "Execute Print Head Alignment" on page 122](#)

If the problem is not resolved by performing Print Head Alignment, try setting **Uni-Direction (Low Speed)** for **Print Direction** in Garment Creator 2, the software for the printer. To do repeat printing or to print a job from a USB memory stick that has already been set to **Bi-Direction (High Speed)**, set **Head Move Direction** to **Uni-Directional** on the preview screen.

[☞ "When reprinting \(repeat printing\) the same job" on page 70](#)

[☞ "Printing from a USB Memory" on page 73](#)

If lines are still visible, set either **Color Print Quality** or **White Print Quality** to **Quality**.

■ **Have you made the pre-treatment liquid too weak?**

If the cotton pre-treatment liquid has been diluted too much, the solidity of the White ink is weakened and the edges of the image may be blurred. Try reducing the density of the White ink in the software, or make the pre-treatment liquid stronger.

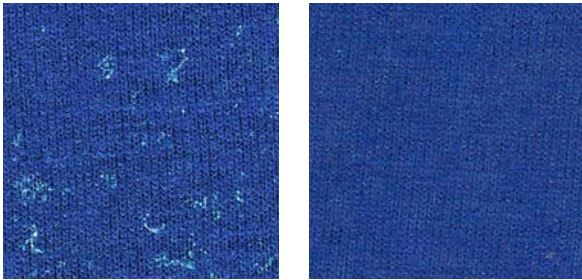
If the polyester pre-treatment liquid has been diluted too much, the ink color development deteriorates. Adjust the dilution ratio of the pre-treatment liquid.

■ **Adjust the density of the White ink.**

When printing on dark colored T-shirts, vertical unevenness may occur depending on the base color. If this occurs, try reducing the density of the White ink used for the under-base. You can adjust the White ink density in the printer's Garment Creator 2 software.

Unevenness such as white spots occurs

Uneven print result Normal print result



■ **Have you made the cotton pre-treatment liquid too weak?**

If the concentration of the cotton pre-treatment liquid is too weak, standing fibers on the printed surface will not be flattened sufficiently. If you continue to print as it is, the standing fibers may shift during printing or fixing, causing unevenness in the prints. Adjust the dilution ratio of the pre-treatment liquid.

[☞ "Diluting the pre-treatment liquid" on page 46](#)

■ **Did you remove lint from the surface of the fabric before applying the pre-treatment liquid?**

If pre-treatment is applied when lint remains, it can cause unevenness. Use sticky tape (a roller) to remove lint, and then apply the pre-treatment liquid.

[☞ "Applying the pre-treatment liquid" on page 47](#)

Problem Solver

■ **Was the pre-treatment liquid applied correctly?**

Applying too much or too little pre-treatment liquid, or applying it unevenly can cause uneven print results. Apply the correct amount of pre-treatment liquid uniformly.

[🔗 "Applying the pre-treatment liquid" on page 47](#)

■ **Increase the temperature when fixing the pre-treatment liquid.**

When printing on polyester T-shirts, unevenness may occur in the prints depending on the fabric, even if the pre-treatment liquid is applied correctly. In this situation, try increasing the temperature when fixing the pre-treatment liquid. This may improve unevenness.

[🔗 "Fixing the pre-treatment liquid" on page 48](#)

Unevenness such as white spots occurs in areas not printed



■ **Is there any coagulation in the cotton pre-treatment liquid?**

In cotton pre-treatment liquid, fixing components in the pre-treatment liquid itself may coagulate during storage. If you use the pre-treatment liquid with coagulated components as it is, the coagulated components will stick to the fabric and cause unevenness. Before using pre-treatment liquid in which coagulation has occurred, filter the liquid to remove the coagulation.

[🔗 "Filtering the cotton pre-treatment liquid \(only when coagulation occurs\)" on page 44](#)

Vertical ruled lines are misaligned, small print is blurry, or a grainy appearance

The print head normally prints when moving both to the left and the right. While this is happening, a misalignment (gap) in the print head may cause lines to misalign, small print to blur, or create a grainy appearance. In these cases, do these measures in the following order.

1. Register media settings

We recommend categorizing media setting numbers and registering and managing them so you can categorize the print settings for individual media manufacturers (types) and projects (print jobs).

You do not need to register them if categorizing is unnecessary.

[🔗 "Register media settings" on page 120](#)



2. Execute Print Head Alignment

Execute **Standard** or **Micro Adjust** according to the type of platen and media you are using.

[🔗 "Execute Print Head Alignment" on page 122](#)



3. Change the Platen Gap setting

Try changing the setting to **Manual**.

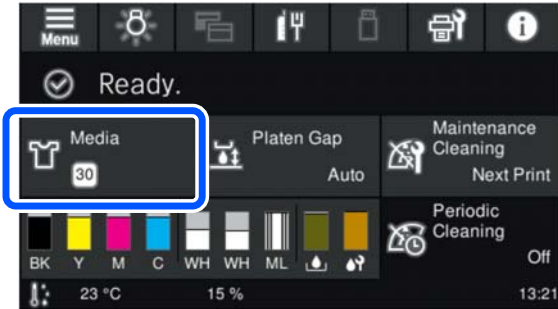
[🔗 "Set Platen Gap to Manual" on page 125](#)

Register media settings

Use the following procedure to name and register media settings.

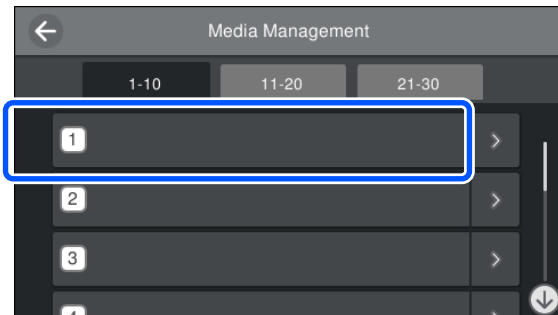
Problem Solver

- 1 Make sure the printer is on, and then press the media info area on the home screen.



- 2 Press **Media Management**.

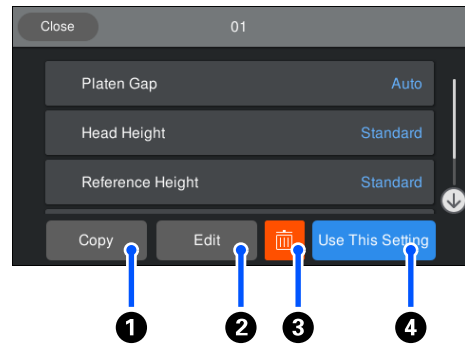
- 3 Select the media settings to register.



- 4 Press **Change Name**.

- 5 Input a suitable name, and then press **OK**.
Next, when you execute **Print Adjustments**, press (home) to return to the home screen.

Note:
Press the on the right edge of the media setting to open the following screen.



This displays a list of the settings for the selected media settings. Pressing the buttons ① to ④ lets you do the following.

- ① (Copy): Allows you to copy the content of the selected settings to a different media setting number. Pressing this button opens a screen where you can select the media setting number to which to copy the settings.
- ② (Edit): Opens a screen in which you can change the content of settings.
- ③: Initializes all the content of the settings.
- ④ (Use This Setting): The selected media settings are used for subsequent print jobs.

Precautions when executing Print Adjustments

Adjustments are made according to the media loaded in the printer.

Correctly load the media, for which adjustment needs to be done, on the platen that is actually used for printing.

The results of the adjustment are reflected only in the currently selected media settings.

Before you start making adjustments, select the correct Media Settings to which to save them. The number of the currently selected media settings is displayed on the printer's screen.

["Screen View" on page 18](#)

Make sure nozzles are not clogged before adjusting.

If nozzles are clogged, adjustments are not performed correctly.

Problem Solver

Print a check pattern and visually inspect it, and then perform **Head Cleaning** if necessary.

 [“Checking for clogged nozzles” on page 91](#)

Redo the adjustments if you have changed the setting for Platen Gap to Manual.

Execute Print Head Alignment

Adjustment types and execution sequence

There are two types of **Print Head Alignment**, **Standard** and **Micro Adjust**.

With **Standard**, visually inspect the printed adjustment pattern and input the adjustment values.

With **Micro Adjust**, input the adjustment values, and then do an actual printout to confirm whether the results of the adjustment are suitable.

Do **Standard** adjustment first, and if the image quality is not improved after the adjustment, then do **Micro Adjust**. However, in the following cases, select **Micro Adjust** first.

- When using the medium grooved platen or the sleeve platen
- When the print surface of the media is not flat, such as when there is a pocket

Adjustment procedure

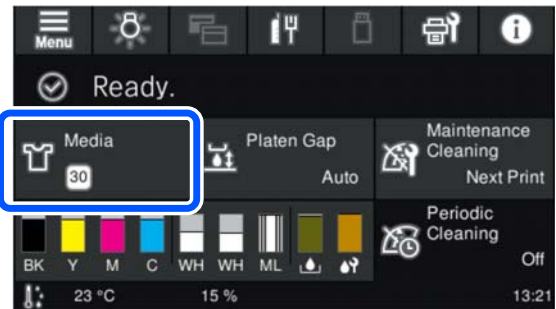
Read the following before starting adjustments.

 [“Precautions when executing Print Adjustments” on page 121](#)

- 1** Load the media, for which adjustments are being done, on the platen that is actually being used.

 [“Load the T-shirt \(media\)” on page 61](#)


- 2** Confirm the media settings that are currently selected in the media info area on the printer's screen.



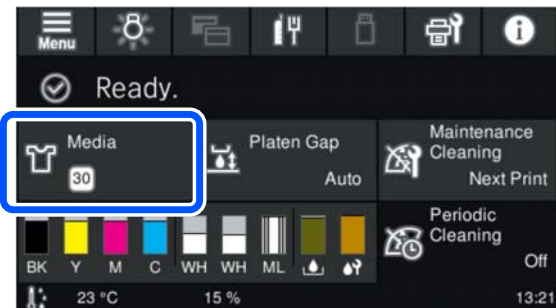
To save the adjustment results for the currently selected media settings, go to step 5.

To save the adjustment results to a different media setting, go to the next step.

- 3** Press the media info area, and then press in the order of **Current Settings - Media**.

- 4** Select the media settings to which to save the adjustment results, and then press  (home).

- 5** Press the media info area.




- 6** Press in the order of **Print Adjustments - Print Head Alignment**, and then select either **Standard** or **Micro Adjust**.

If you select **Standard**: Go to step 7.

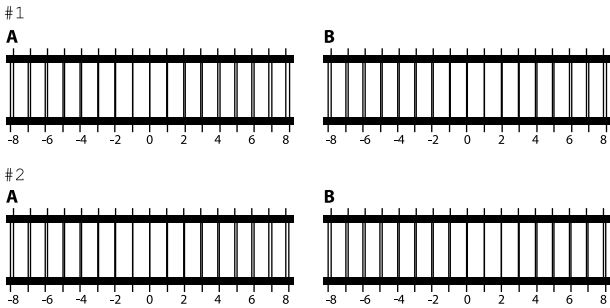
If you select **Micro Adjust**: Go to step 9.

- 7** Select the items to adjust according to the color of the media being used, and then press **Start**.

Pressing the  button starts printing the adjustment pattern. When printing the pattern is complete, the adjustment value entry screen is displayed. Continue to the next procedure.

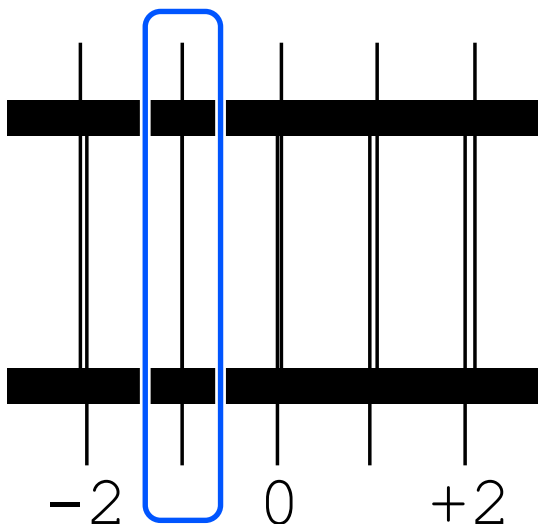
Problem Solver

8 Check the printed adjustment pattern.
 When **Light Media** is selected, two blocks (#1 to #2) of black patterns are printed. When **Dark Media** is selected, two blocks (#1 to #2) of black and white patterns are printed.



Check the two patterns A to B in each block, and select from -8 to +8, where the line appears thinnest (lines overlap) in the pattern.

Select "-1" in the following illustration.



Check the patterns in all the blocks, and then go to the next step.

9 Input the adjustment values.
When executing Standard:

Enter the adjustment values that you selected in step 8 for all of the blocks #1A to #2B. Inputting all of the adjustment values and pressing **OK** opens a screen for confirming the adjustment values.

Check the adjustment results and press **OK** to reflect the adjustment results to the media settings.

When executing Micro Adjust:

You can input setting values from +10 to -10. We recommend first setting both adjustment values to +1 and -1 and printing, and then doing further adjustments based on the value that improved image quality.

When image quality is not improved after adjustments

- When executing **Standard:**
Next, execute **Micro Adjust**.
- When executing **Micro Adjust:**
When using **Auto** for the **Platen Gap**, try setting it to **Manual**.
[🔗 "Media Settings menu" on page 108](#)

Alternatively, try the following measures.

■ **Try uni-directional printing.**

If the problem is not resolved by performing the above measures, try setting **Uni-Direction (Low Speed)** for **Print Direction** in Garment Creator 2, the software for the printer. To do repeat printing or to print a job from a USB memory stick that has already been set to **Bi-Direction (High Speed)**, set **Head Move Direction** to **Uni-Directional** on the preview screen.

[🔗 "When reprinting \(repeat printing\) the same job" on page 70](#)

[🔗 "Printing from a USB Memory" on page 73](#)

The printed surface is soiled

■ **Is the suction cap clean?**

The printed surface may be soiled from dripping ink if lumps of ink or lint are stuck around the suction cap. Clean the suction cap.

[🔗 "Cleaning the Suction Cap" on page 82](#)

■ **Is there any lint or standing fibers on the print surface?**

Lint or standing fibers on the print surface may stick to the print head and stain other areas of the T-shirt. Remove any lint with the sticky tape or roller and press the fibers flat with a hard roller when you load a T-shirt on the platen.

[🔗 "Load the T-shirt \(media\)" on page 61](#)

Problem Solver

■ Clean around the print head.

If the printing surface and so on is dirty even after performing cap cleaning, fibers, such as lint, may have accumulated around the print head nozzles. Clean around the print head.

 ["Clean around the print head and the edges of the metal" on page 81](#)

Not enough or uneven whiteness

■ Are the print head nozzles clogged?

If the nozzles are clogged, nozzles do not fire ink and the print quality declines. Print a nozzle check pattern.

 ["Checking for clogged nozzles" on page 91](#)

■ Have you shaken White ink supply units?

Because the ink particles in White ink can sediment easily, it needs to be shaken at the start of every working day and every 24 hours (when a message is displayed). Remove and thoroughly shake the ink supply unit(s).

 ["Shaking the Ink Supply Units Periodically" on page 90](#)

■ Have you applied the pre-treatment liquid evenly?

If the pre-treatment liquid is not applied evenly, the printed result will be uneven. Refer to the instructions and apply the pre-treatment liquid evenly.

 ["Applying the pre-treatment liquid" on page 47](#)

■ Have you dried the T-shirt completely after pre-treatment?

If the T-shirt is in the following condition, whiteness may decline.

- Insufficient heat press process
- Moisture has accumulated because the T-shirt was left for an extended period of time

Dry the T-shirt completely after the pre-treatment referring to the fixing conditions. If the T-shirt is left for an extended period, dry it for several seconds in the heat press before printing.

 ["Fixing the pre-treatment liquid" on page 48](#)


■ Have you optimized the temperature and pressure of the heat press?

The temperature of the heat press decreases when you press a T-shirt that has had pre-treatment liquid applied. When pressing several T-shirts one after another, check that the temperature of the heat press is not lower than required. Also, the whiteness becomes uneven if the pressure is insufficient since the T-shirt does not dry completely and the fibers are not pressed flat. Make sure you optimize the pressure of the heat press.

 ["Fixing the pre-treatment liquid" on page 48](#)

If there is not enough white even after doing the above measures and there are no applicable items, do these measures in the following order.

1. Execute Cleaning (Heavy)

1 Confirm that the power is turned on, and then press in the order of  (menu) - **Maintenance - Head Cleaning - Cleaning (Heavy) - Select Nozzles - White.**

2 Select all the WH rows, and then press **OK**.

If there is not enough white even after executing **Cleaning (Heavy)** one or two times, try the following measures.

2. Change the Printer Mode

See the following, and then switch **Printer Mode** to **Color ink mode**, and then return it to **White ink mode**.

 ["Changing the Printer Mode" on page 94](#)

3. If there is not enough white after doing 1 and 2

Contact your dealer or Epson Support.

Problem Solver

The under-base white is showing outside the image

■ Adjust the print area of the under-base white in the software.

The printed under-base white may show outside the image depending on the material of the T-shirt and the amount of ink fired. If this occurs, adjust the print area of the under-base white from the printer's Garment Creator 2 software or the RIP software.

Others

Image quality is not stable even when printing under the same conditions / The position of the media surface is too high. is displayed even when printing on the same media / Platen Height Adjustment is not performed successfully

■ Has the surface of the media been loaded so that it is flat?

If you are using a material with an uneven media surface or if the media surface is slack or creased, the printer's sensor may react to these issues.

If the problem continues after reloading the media so that it is flat, see the next section.

Set Platen Gap to Manual

When **Platen Gap** is set to **Manual**, follow the steps below to optimize the platen height.

1. Set Platen Gap to Manual

 ["Media Settings menu" on page 108](#)



2. Check the type of spacer and platen height (scale position) appropriate for the media thickness

Check the spacer combinations and the scale of the platen gap lever according to the platen and thickness of the media you will be using.

 ["Table of Supported Label Scales and Media Thickness" on page 141](#)



3. Attach and remove spacers and change the platen height

Make the following changes according to the results in step 2.

 ["Attaching and Removing Spacers" on page 59](#)

 ["Changing the Height of the Platen" on page 60](#)



4. Check the height of the platen

See the next section to check if the platen is at the appropriate height.

 ["Checking the platen height \(when set to Manual\)" on page 125](#)

Checking the platen height (when set to Manual)

The combinations of spacers and platen gap lever scale positions for the platen and thicknesses of the media shown in the table are for reference only. Follow the steps below to make sure that the platen height is suitable for the media.

1

Load the media correctly on the platen that will actually be used.


Important:

Load the media so that it is flat with no slack or creasing on the media surface.

 ["Replacing platens" on page 55](#)

 ["Load the T-shirt \(media\)" on page 61](#)

2

Press the  button to move the platen inside the printer.


Problem Solver

- 3** Check the display on the control panel's screen.
When the message *The position of the media surface is too high.* is displayed

Go to step 4.


When the home screen is displayed

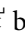
The most suitable platen height for the media is the height when you move two notches to the right from the point at which the message **The position of the media surface is too high.** is displayed in this procedure. Repeat the following steps until the message is displayed.

1. Press the  button to move the platen to the front.
2. Loosen the platen gap lever fixing lever, and then move the lever to the left by one notch on the scale.

Note:

When the A and B spacers are installed and aligned with the P scale, you cannot raise the platen height any further. Complete the checking process.

3. Tighten the fixing lever, and then secure the platen gap lever.
4. Press the  button again to move the platen to the back.

- 4** Press the  button to move the platen to the front.

- 5** Loosen the platen gap lever fixing lever, and then move the lever to the right by two notches on the scale.


Note:

The "." on the scale between the numbers is also counted as one notch. If the message is displayed while the scale is at 3, move it to 4.

- 6** Tighten the fixing lever to secure the platen gap lever.

The control panel display keeps turning off.

■ Is the printer in sleep mode?

Normal operation can be restored by pressing any of the buttons in the control panel to reactivate the display and then performing a hardware operation such as opening the printer cover or sending a job to the printer. You can change the time until going into sleep mode from  (menu) - **General Settings - Basic Settings - Sleep Timer.**

 ["Menu List" on page 98](#)

The number of prints on the control panel stays 1/1 without changing

■ Are you sending jobs using any of the following methods?

When jobs are sent using the following methods, the number of copies displayed on the control panel does not indicate the number of copies to be printed, even when multiple copies have been specified.

- Using a hot folder created in Garment Creator Easy Print System
- Resending a job from the print history in Garment Creator 2
- A job (print data) exported to a computer was opened in Garment Creator 2 and then sent
- Printing from a USB memory stick

Printing does not stop or printed text is corrupted

■ Have you started Garment Creator 2 and other software RIP over a USB connection?

Only start Garment Creator 2 or the software RIP. Do not run them both at the same time.

Areas not printed are stained with ink

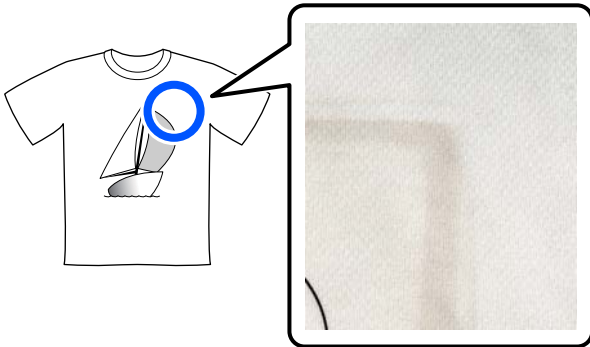
■ Is the platen clean?

The platen's frame and the top plate may be stained. Check the platen and clean it if necessary.

 ["Cleaning the Platen Without a Grip Pad" on page 85](#)

Problem Solver

Fabric of printed T-shirts becomes discolored and uneven over time

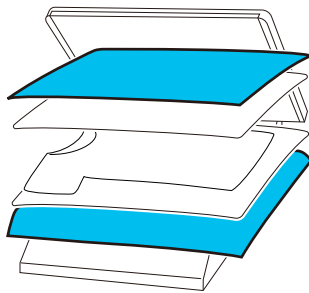


■ **Clean the press surface of the heat press.**

For some types of dark colored T-shirts, the dye component of the fabric may stick to the press surface during pressing. If you press a white or light-colored t-shirt when this has happened, the dye component attached to the press surface transfers to the T-shirt and then reacts with perspiration or sunlight causing it to discolor.

If you want to press different colored T-shirts, use one of the following methods.

- ❑ Place release sheets on top of and under the T-shirts. Use new sheets or use them according to the color of the T-shirt. If you have placed cloth on top of and under the T-shirt, place the sheets in the positions shown in the illustration.



- ❑ If you have placed cloth on top of and under the T-shirt, replace it with new cloth or use a different cloth according to the color of the T-shirt.
- ❑ Clean the press surface. For details on cleaning the press, see the manual supplied with the heat press.

The printer status and log are printed over the edges of the paper

■ **Are you printing with an M size platen?**

Depending on the paper size the print area may extend beyond the edges of the paper if it is loaded on an optional platen. Load paper on the M size platen, and then print.

["Load the T-shirt \(media\)" on page 61](#)

Printing is slow or stops half way

■ **Is the head move direction set to uni-directional?**

Print Direction may be set to **Uni-Direction (Low Speed)** in Garment Creator 2, the software for the printer. Try setting the **Print Direction** to **Bi-Direction (High Speed)** in Garment Creator 2.

When doing repeat printing or to print a job from a USB memory stick that has already been set to **Bi-Direction (High Speed)**, **Head Move Direction** may be set to **Uni-Directional** on the preview screen. Try changing the setting to **Auto**.

["When reprinting \(repeat printing\) the same job" on page 70](#)

["Printing from a USB Memory" on page 73](#)

■ **Are you using a USB memory stick with a slow reading speed?**

If you use a USB memory stick with a slow reading speed (4.63 MB/sec or less) when printing from a USB memory stick, the print head stops at times during printing and printing continues. Use a USB memory stick with a fast reading speed.

Problem Solver

■ Are you using a platen without a grip pad to print a job that requires a large amount of ink?

Using a lot of ink to print, such as from data that covers the entire print area, may cause the print surface to swell up with ink.

If something like this happens, an error as shown below may occur and printing may be stopped, even if the T-shirt is correctly loaded before printing starts.

Printing has stopped.
The print head may strike the media.

If a T-shirt is loaded using a frame, removing the frame may allow any slack or creases in the printed surface to spread to the outer edges and solve the problem.

Note that the following steps are necessary if you remove the frame.

- You need to reduce the width of the White ink in Garment Creator 2, the software for the printer, or in the RIP software, so that the white under-base print does not extend outside the image.
- Be careful not to touch the T-shirt while printing as it can easily move out of position.

■ Have you dried pre-treatment liquid completely?


Printing while the pre-treatment liquid is not sufficiently dry means the print surface may become damp and swell up, then as you are printing, an error as shown below may occur and printing may be stopped.

Printing has stopped.
The print head may strike the media.

Check that the pre-treatment liquid is dry.

Cannot use the USB memory

■ After inserting the USB memory stick, did you press ?

The USB memory is not read by just inserting the USB memory stick. Be sure to press the  icon at the top of the screen, and then do operations from the USB printing menu.

There is a red light inside the printer

■ This is not a failure.

The light is a light inside the printer.

I have forgotten the network password

- Contact your dealer or Epson Support.

Appendix

Options and Consumable Products

The following options and consumable products are available for use with your printer. (As of May, 2023)

For the latest information, see the Epson Web site.

Ink Supply Unit

Printer model	Product name	Part number
SC-F2200/SC-F2260	Black	T54L1
	Cyan	T54L2
	Magenta	T54L3
	Yellow	T54L4
	White	T54LA
	Maintenance Liquid	T54LB
SC-F2230	Black	T54Q1
	Cyan	T54Q2
	Magenta	T54Q3
	Yellow	T54Q4
	White	T54QA
	Maintenance Liquid	T54QB
SC-F2240	Black	T54P1
	Cyan	T54P2
	Magenta	T54P3
	Yellow	T54P4
	White	T54PA
	Maintenance Liquid	T54PB

Appendix

Printer model	Product name	Part number
SC-F2270	Black	T54K1
	Cyan	T54K2
	Magenta	T54K3
	Yellow	T54K4
	White	T54KA
	Maintenance Liquid	T54KB
SC-F2280	Black	T54N1
	Cyan	T54N2
	Magenta	T54N3
	Yellow	T54N4
	White	T54NA
	Maintenance Liquid	T54NB

Epson recommends the use of genuine Epson Ink Supply Unit. Epson cannot guarantee the quality or reliability of nongenuine ink. The use of non-genuine ink may cause damage that is not covered by Epson's warranties, and under certain circumstances, may cause erratic printer behavior.

Information about non-genuine ink levels may not be displayed, and use of non-genuine ink is recorded for possible use in service support.

Maintenance Parts

For SC-F2200/SC-F2230/SC-F2240/SC-F2260/SC-F2270

Product name	Product number	Explanation
Waste Ink Bottle	C13T724000	The same as the waste ink bottle supplied with the printer.
Head Cleaning Set	C13S400216	Set of flushing pad, capping station, and wiper unit set.
Maintenance Kit	T7362	The same as the maintenance kit supplied with the printer.
Cleaning ink supply unit	T54R9	Use for Keeping Preparation and to change the Printer Mode.

For SC-F2280



Product name	Product number	Explanation
Waste Ink Bottle	C13T724000	The same as the waste ink bottle supplied with the printer.
Head Cleaning Set	C13S400217	Set of flushing pad, capping station, and wiper unit set.

Appendix

Product name	Product number	Explanation
Maintenance Kit	T7362	The same as the maintenance kit supplied with the printer.
Cleaning ink supply unit	T54RC	Use for Keeping Preparation and to change the Printer Mode.

Others

For SC-F2200/SC-F2230/SC-F2240/SC-F2260/SC-F2270



Product	Part number	Explanation
Pre-treatment Liquid	T43R1 T7361	20 liters. Dilute before use.  "Pre-treatment" on page 40
Polyester Pre-treatment Liquid	T43R2	18 liters. Use undiluted or diluted depending on the ink used for printing.  "Pre-treatment" on page 40
Hanger Platen - L	C12C938911	A platen with a hanger. The following shows the printable area for each size. L size: 16" × 20" / 406 × 508 mm M size: 14" × 16" / 356 × 406 mm S size: 10" × 12" / 254 × 305 mm
Hanger Platen - M	C12C938931	
Hanger Platen - S	C12C938951	
Large Platen (16" × 20" / 406 × 508 mm)	C12C933921	A standard platen without a hanger. The following shows the printable area for each size. L size: 16" × 20" / 406 × 508 mm M size: 14" × 16" / 356 × 406 mm S size: 10" × 12" / 254 × 305 mm XS size: 7" × 8" / 178 × 203 mm
Medium Platen (14" × 16" / 356 × 406 mm)	C12C933931	
Small Platen (10" × 12" / 254 × 305 mm)	C12C933941	
Extra Small Platen	C12C938971	
Sleeve Platen	C12C939011	This platen allows you to print correctly on T-shirt cuffs. Printable area: 4" x 4"/102 x 102 mm
Medium Grooved Platen	C12C938991	This platen allows you to print correctly on polo shirts as well as shirts with zippers and buttons. Printable area: Equivalent to the area for M size hanger platen
Platen Grip Pad - L	C13S210118	A grip pad for using the L/M/S size hanger platen as a grip pad covered platen. You cannot use the grip pads for standard platens with hanger platens.
Platen Grip Pad - M	C13S210119	
Platen Grip Pad - S	C13S210120	
Platen Grip Pad - L	C13S210075	A grip pad for using the L/M/S size standard platen as a grip pad covered platen. You cannot use the grip pads for hanger platens with standard platens.
Platen Grip Pad - M	C13S210076	
Platen Grip Pad - S	C13S210077	

Appendix

Product	Part number	Explanation
Pre-treatment roller set*	C12C891201	Set of roller sections x3, handle, and tray.
Replacement rollers for pre-treatment (3 pieces)*	C12C891211	The same as the roller section supplied with the Pre-treatment roller set.
Hard roller*	C12C891221	Set of roller sections (hard) and handle.
Grip Pad Tool	C12C934151	The same as the grip pad tool supplied with the printer.
Funnel*	C12C936561	A funnel used to filter cotton pre-treatment liquid.
Funnel filter*	C13S210126	A filter used to filter cotton pre-treatment liquid.

* Not available in all regions.

For SC-F2280

Product	Part number	Explanation
Pre-treatment Liquid	T43R1 T7361	20 liters. Dilute before use.  "Pre-treatment" on page 40
Polyester Pre-treatment Liquid	T43R2	18 liters. Use undiluted or diluted depending on the ink used for printing.  "Pre-treatment" on page 40
Hanger Platen - L	C12C938921	A platen with a hanger. The following shows the printable area for each size. L size: 16" x 20" / 406 x 508 mm M size: 14" x 16" / 356 x 406 mm S size: 10" x 12" / 254 x 305 mm
Hanger Platen - M	C12C938941	
Hanger Platen - S	C12C938961	
Large Platen (16" x 20" / 406 x 508 mm)	C12C933981	A standard platen without a hanger. The following shows the printable area for each size. L size: 16" x 20" / 406 x 508 mm M size: 14" x 16" / 356 x 406 mm S size: 10" x 12" / 254 x 305 mm XS size: 7" x 8" / 178 x 203 mm
Medium Platen (14" x 16" / 356 x 406 mm)	C12C933991	
Small Platen (10" x 12" / 254 x 305 mm)	C12C934001	
Extra Small Platen	C12C938981	
Sleeve Platen	C12C939021	This platen allows you to print correctly on T-shirt cuffs. Printable area: 4" x 4"/102 x 102 mm
Medium Grooved Platen	C12C939001	This platen allows you to print correctly on polo shirts as well as shirts with zippers and buttons. Printable area: Equivalent to the area for M size hanger platen
Platen Grip Pad - L	C13S210121	A grip pad for using the L/M/S size hanger platen as a grip pad covered platen. You cannot use the grip pads for standard platens with hanger platens.
Platen Grip Pad - M	C13S210122	
Platen Grip Pad - S	C13S210123	

Appendix

Product	Part number	Explanation
Platen Grip Pad - L	C13S210078	A grip pad for using the L/M/S size standard platen as a grip pad covered platen. You cannot use the grip pads for hanger platens with standard platens.
Platen Grip Pad - M	C13S210079	
Platen Grip Pad - S	C13S210080	
Pre-treatment roller set	C12C891201	Set of roller sections x3, handle, and tray.
Replacement rollers for pre-treatment (3 pieces)	C12C891211	The same as the roller section supplied with the Pre-treatment roller set.
Hard roller	C12C891221	Set of roller sections (hard) and handle.
Grip Pad Tool	C12C934161	The same as the grip pad tool supplied with the printer.
Funnel	C12C936571	A funnel used to filter cotton pre-treatment liquid.
Funnel filter	C13S210127	A filter used to filter cotton pre-treatment liquid.

Notes When Moving or Transporting the Printer

This section explains how to move or transport the printer.

For the purposes of this section, moving and transporting are defined as follows.

Moving	Changing the installation location on the same floor without having to use any steps.
Transporting	Changing the installation location to another floor or building. This includes situations in which the printer is outsourced to a carrier.

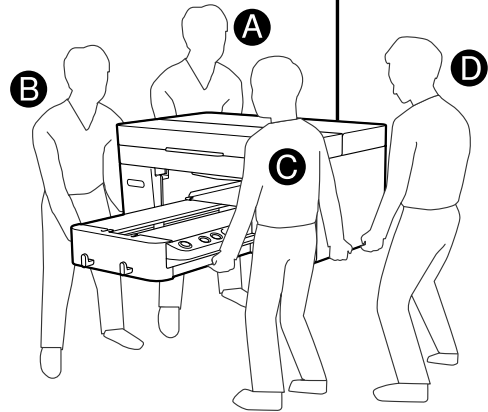
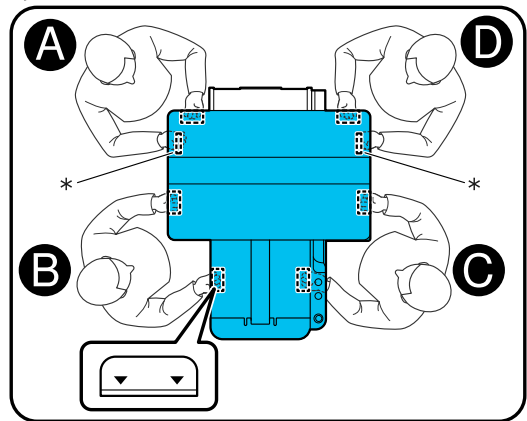
Caution:

- ❑ Do not attempt to carry the printer on your own. The printer should be packed or moved by four people.
- ❑ When moving the printer, do not tilt it more than 10 degrees. Otherwise it could fall and cause an accident.
- ❑ When lifting the printer, adopt a suitable posture.
- ❑ When lifting the printer, hold it in the areas indicated in the manual. It may cause an injury if you lift the printer by holding other areas since the printer may fall, or your fingers may be caught when placing the printer.

Important:

Holding the Printer

- ❑ When lifting the printer, be sure to place your hands at the points shown in the illustration. Holding it at any other points may cause a malfunction to occur.
- ❑ There are handholds (recessed areas) underneath the areas indicated by the callout in the illustration. Place your hand on the non-slip sheet part below the section indicated by an *.
- ❑ The printer must be lifted by four people at the same time; otherwise, it may tip over and trap your hands.



Important:

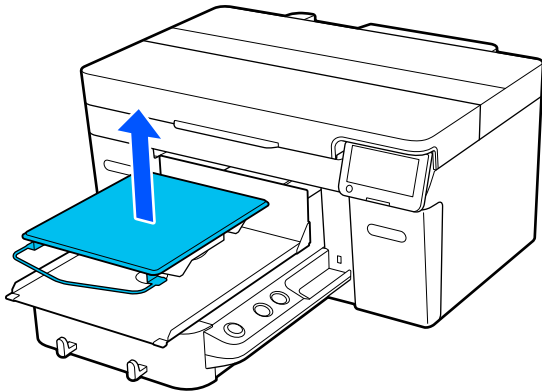
- ❑ Touch only the necessary areas; otherwise, a malfunction may occur.
- ❑ Do not remove the ink supply units. The print head nozzles may become clogged making it impossible to print, or ink may leak.

Appendix

Preparing to Move or Transport

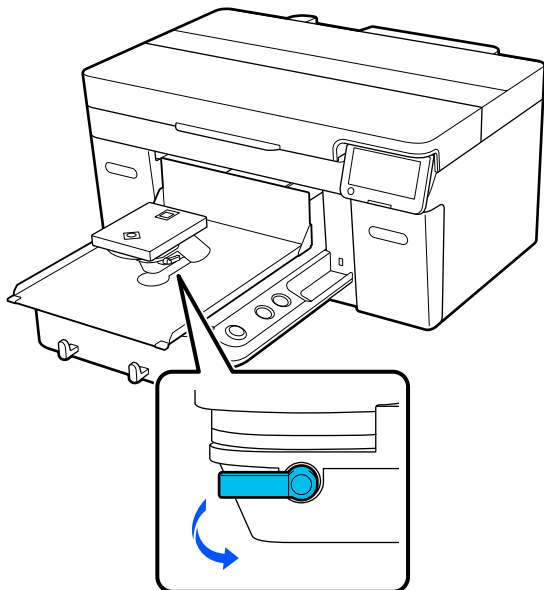
During this procedure, your hands may be soiled by waste ink. We recommend wearing the gloves supplied in the maintenance kit.

- 1 Grip the left and right of the platen, and lift it straight up to remove it.

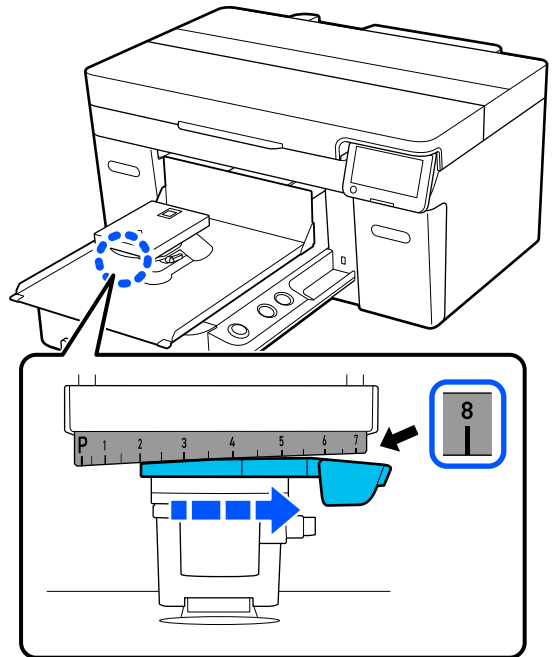


If you are using the sleeve platen, remove the fixing band first, and then lift the platen.

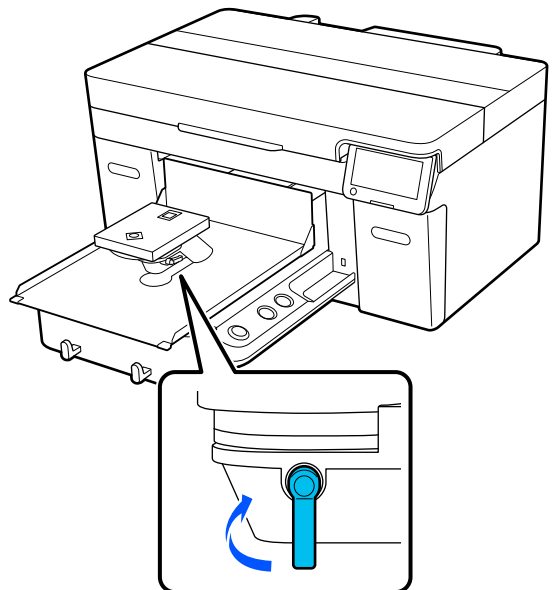
- 2 Loosen the fixing lever.



- 3 Move the platen gap lever to the right to set the scale to 8.



- 4 Tighten the fixing lever, and then secure the platen gap lever.



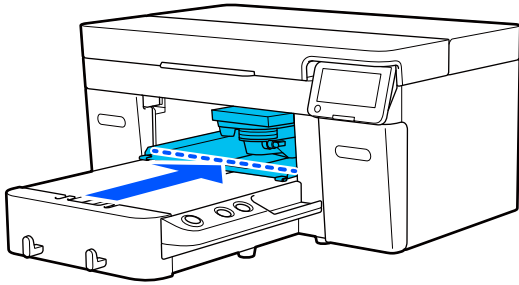
- 5 Turn off the power to the printer.
When transporting the printer, go to the next step; when moving the printer, go to step 8.

Appendix

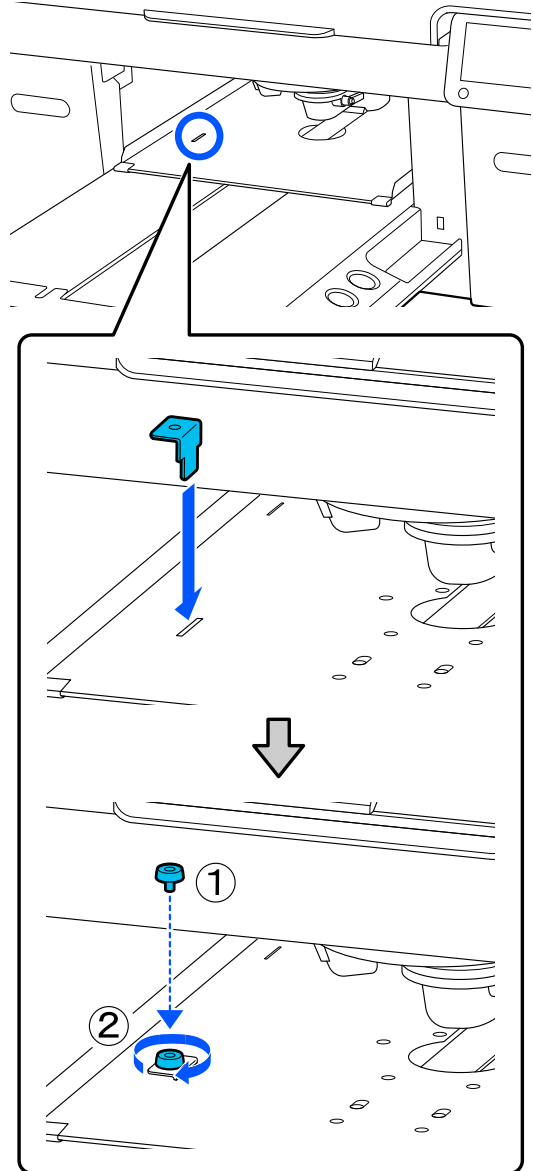
- 6** Move the movable base by hand to the position shown in the illustration.

! **Important:**

Except for in this procedure, never move the movable base by hand. A malfunction may occur.



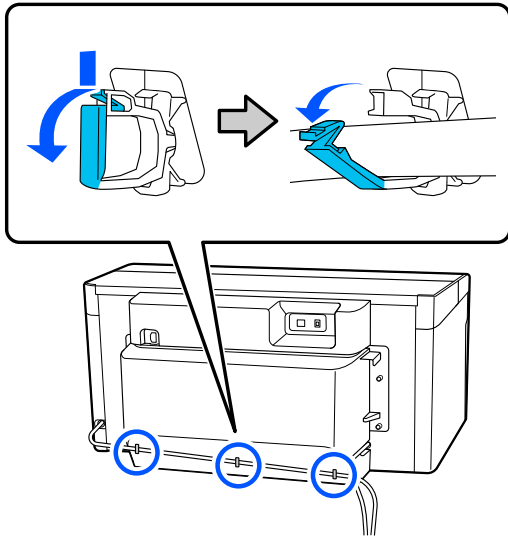
- 7** Attach the fixing part that you removed during installation, and secure it with the screw.



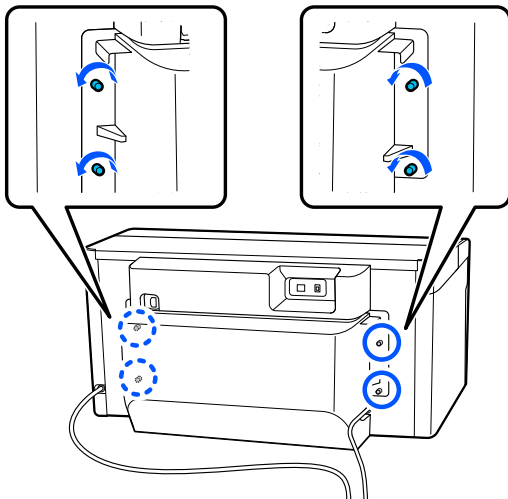
- 8** Remove the waste ink bottle.
 ➔ [“Replacing the waste ink bottle” on page 87](#)

Appendix

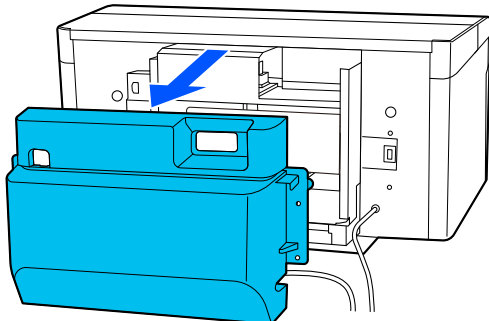
- 9 Open the clamps and remove the waste ink tubes.



- 10 Remove the rear cover fixing screws.



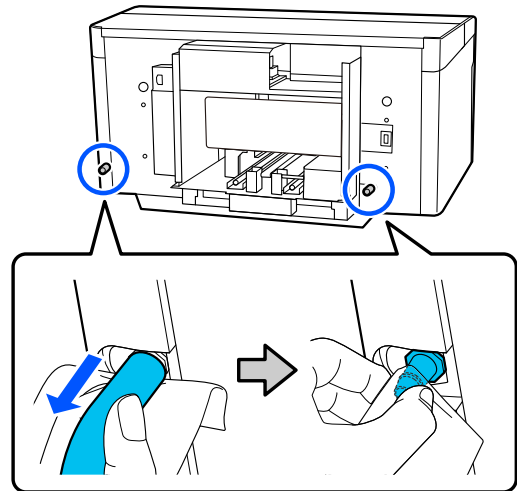
- 11 Remove the rear cover.



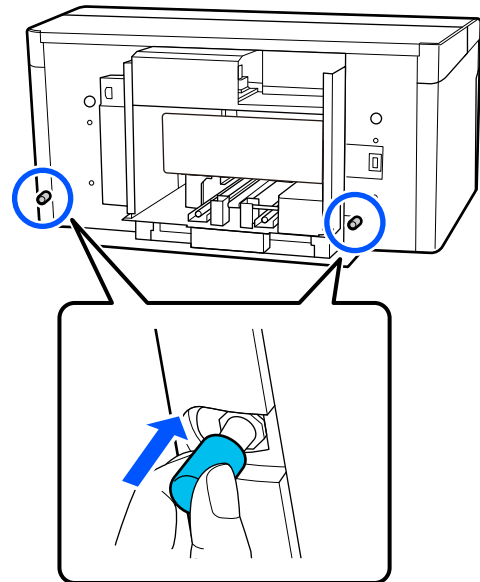
- 12 Remove the waste ink tubes by gripping them from below with a clean-room wiper as shown in the illustration, and then use it to wipe off the waste ink from the waste ink outlet.

! Important:

Waste ink may drip from the waste ink tubes or the waste ink outlets. Take care when performing these operations.



- 13 Attach the caps that you removed during setup to the waste ink outlets.



Transporting the Printer

After making preparations for transportation, use protective materials and packing materials to protect the printer from vibrations and shocks, and pack it in the same condition as when it was purchased.

! **Important:**

When transporting the printer, do not tilt it, stand it on its end, or turn it upside down. Ink could leak.

After transporting, see the following to make sure that the printer is ready for use again.


 [“Setting up the Printer After Moving” on page 138](#)

Setting up the Printer After Moving

Follow the steps below to make sure the printer is ready for use again.

See the *Setup Guide* (booklet) for details on steps 1 to 3.

If you do not have the *Setup Guide* on hand, select and refer to the model of your printer from <https://epson.sn>.

- 1** Check that the location is appropriate for installation.
- 2** Install all the items that were removed, such as rear cover.
After transporting, make sure you remove the adjustable foot from the movable base.
- 3** Connect the power plug to an electrical outlet, and then turn on the printer.
- 4** Check that there are no clogged nozzles.
 [“Checking for clogged nozzles” on page 91](#)

Appendix

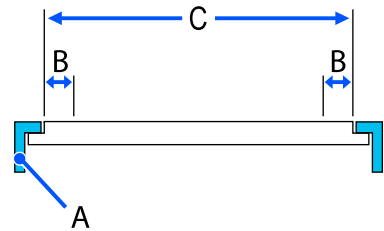
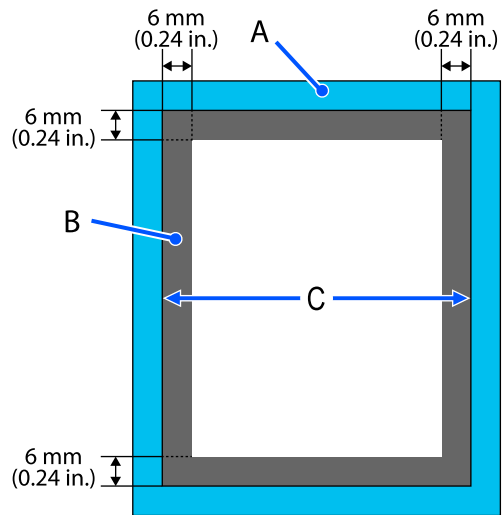
Printable area

Type	Available Area
L size platen	16 x 20 inches (406 x 508 mm)
M size platen	14 x 16 inches (356 x 406 mm)
S size platen	10 x 12 inches (254 x 305 mm)
XS size platen	7 x 8 inches (178 x 203 mm)
Sleeve platen	4 x 4 inches (102 x 102 mm)
Medium grooved platen	Refer to illustration of areas that cannot be printed

You cannot print on certain areas inside each platen frame or certain areas from the top, bottom, left, or right of the edge of the top plate. The areas indicated by A and B in the following illustration cannot be printed.

L/M/S/XS size platen

You cannot print on certain areas from the top, bottom, left, or right of the inside edge of the platen frame or the raised section (top plate) inside the platen.



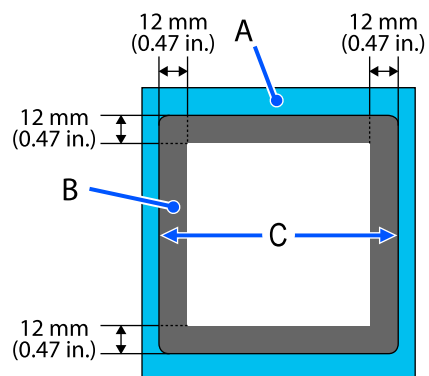
A: Platen frame

B: Areas that Cannot be Printed

C: Top plate

Sleeve platen

You cannot print on certain areas from the raised section inside the platen frame.



Appendix

A: Platen frame

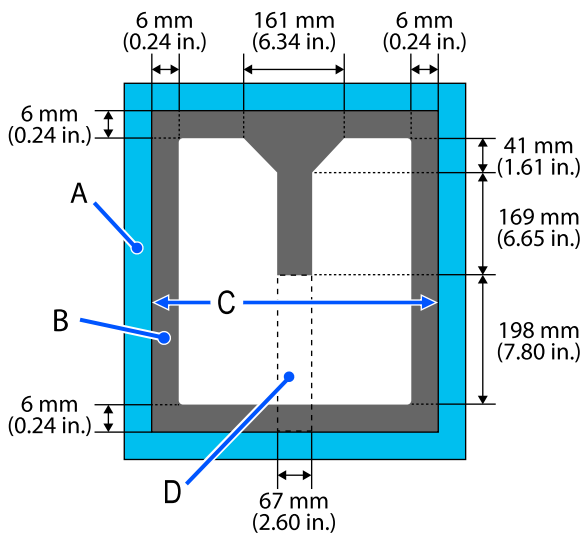
B: Areas that Cannot be Printed

C: Top plate

Medium grooved platen

You cannot print on certain areas inside the platen frame and in areas where there is no top plate.

The D section has a square part. When you remove the square part, you cannot print over this section.



A: Platen frame

B: Areas that Cannot be Printed

C: Top plate

D: Square part

Appendix

Table of Supported Label Scales and Media Thickness

When printing with **Platen Gap** set to **Manual**, check the combination of spacers that support the thickness of the media you are using and the position of the scale on the platen gap lever in the table for the platen type you are using.

 **Important:**

The position of the scale in the table is a guide for the platen height. Before printing for the first time, make sure you check the platen height.

 [“Checking the platen height \(when set to Manual\)” on page 125](#)

When L, M, or S Size Grip Pad Platen is Installed

Label Scale	Spacer Usage and Media Thickness			
	A+B	A only	B only	None
		Supports media 6.0 mm (0.24 in.) thicker than A+B	Supports media 10.0 mm (0.39 in.) thicker than A+B	Supports media 16.0 mm (0.63 in.) thicker than A+B
P	< 1.0 mm (0.04 in.)	5.0 mm (0.2 in.)	9.0 mm (0.35 in.)	15.0 mm (0.59 in.)
-				
1		6.0 mm (0.24 in.)	10.0 mm (0.39 in.)	16.0 mm (0.63 in.)
-				
2		7.0 mm (0.28 in.)	11.0 mm (0.43 in.)	17.0 mm (0.67 in.)
-				
3	2.0 mm (0.08 in.)	8.0 mm (0.31 in.)	12.0 mm (0.47 in.)	18.0 mm (0.71 in.)
-				
4	3.0 mm (0.12 in.)	9.0 mm (0.35 in.)	13.0 mm (0.51 in.)	19.0 mm (0.75 in.)
-				
5	4.0 mm (0.16 in.)	10.0 mm (0.39 in.)	14.0 mm (0.55 in.)	20.0 mm (0.79 in.)
-				
6	5.0 mm (0.2 in.)	11.0 mm (0.43 in.)	15.0 mm (0.59 in.)	21.0 mm (0.83 in.)
-				
7	6.0 mm (0.24 in.)	12.0 mm (0.47 in.)	16.0 mm (0.63 in.)	22.0 mm (0.87 in.)
-				24.0 mm (0.94in.)
8	7.0 mm (0.28 in.)	13.0 mm (0.51 in.)	17.0 mm (0.67 in.)	

Appendix

When L, M, or S Size Platen Without Grip Pad is Installed and when XZ Size Platen is Installed

Label Scale	Spacer Usage and Media Thickness			
	A+B	A only Supports media 6.0 mm (0.24 in.) thicker than A+B	B only Supports media 10.0 mm (0.39 in.) thicker than A+B	None Supports media 16.0 mm (0.63 in.) thicker than A+B
P	< 1.0 mm (0.04 in.)	6.0 mm (0.24 in.)	10.0 mm (0.39 in.)	16.0 mm (0.63 in.)
-				
1		7.0 mm (0.28 in.)	11.0 mm (0.43 in.)	17.0 mm (0.67 in.)
-				
2	2.0 mm (0.08 in.)	8.0 mm (0.31 in.)	12.0 mm (0.47 in.)	18.0 mm (0.51 in.)
-				
3	3.0 mm (0.12 in.)	9.0 mm (0.35 in.)	13.0 mm (0.51 in.)	19.0 mm (0.75 in.)
-				
4	4.0 mm (0.16 in.)	10.0 mm (0.39 in.)	14.0 mm (0.55 in.)	20.0 mm (0.79 in.)
-				
5	5.0 mm (0.2 in.)	11.0 mm (0.43 in.)	15.0 mm (0.59 in.)	21.0 mm (0.83 in.)
-				
6	6.0 mm (0.24 in.)	12.0 mm (0.47 in.)	16.0 mm (0.63 in.)	22.0 mm (0.87 in.)
-				
7	7.0 mm (0.28 in.)	13.0 mm (0.51 in.)	17.0 mm (0.67 in.)	23.0 mm (0.91 in.)
-				25.0 mm (0.98 in.)
8	8.0 mm (0.31 in.)	14.0 mm (0.55 in.)	18.0 mm (0.71 in.)	

Appendix

When the Sleeve Platen or the Medium Grooved Platen is Installed

Label Scale	Spacer Usage and Media Thickness	
	B only	None
		Supports media 6.0 mm (0.24 in.) thicker than B only
P	< 1.0 mm (0.04 in.)	6.0 mm (0.24 in.)
-		
1		7.0 mm (0.28 in.)
-		
2	2.0 mm (0.08 in.)	8.0 mm (0.31 in.)
-		
3	3.0 mm (0.12 in.)	9.0 mm (0.35 in.)
-		
4	4.0 mm (0.16 in.)	10.0 mm (0.39 in.)
-		
5	5.0 mm (0.2 in.)	11.0 mm (0.43 in.)
-		
6	6.0 mm (0.24 in.)	12.0 mm (0.47 in.)
-		
7	7.0 mm (0.28 in.)	13.0 mm (0.51 in.)
-		
8	8.0 mm (0.31 in.)	14.0 mm (0.55 in.)

System Requirements

Each software can be used in the following environments. (As of April, 2023)

The supported operating systems may change.

For the latest information, see the Epson Web site.

Epson Edge Dashboard



Important:

Make sure the computer on which the Epson Edge Dashboard is installed meets the following requirements.

If these requirements are not met, the software cannot monitor the printer correctly.

- Disable your computer's hibernate function.*
- Disable the sleep function so that the computer does not enter sleep status.*

Windows

Operating systems	Windows 7 SP1*/Windows 7 x64 SP1* Windows 8*/Windows 8 x64* Windows 8.1*/Windows 8.1 x64 Windows 10*/Windows 10 x64 Windows 11
CPU	Intel Core2Duo 2.5GHz or more
Free memory	1 GB or more
Hard disk (free space during installation)	2 GB or more
Display resolution	1280 x 1024 or better
Communication interface	High Speed USB Ethernet 1000Base-T
Browser	Internet Explorer 11 Microsoft Edge

*Does not support Garment Creator 2.

Mac OS X

Operating systems	Mac OS X 10.7 Lion or later*
CPU	Intel Core2Duo 2.5GHz or more
Free memory	1 GB or more

Appendix

Hard disk (free space during installation)	2 GB or more
Display resolution	1280 x 1024 or better
Communication interface	High Speed USB Ethernet 1000Base-T
Browser	Safari 6 or later

*mac OS X 10.11 or earlier does not support Garment Creator 2.

Garment Creator 2

Windows

Operating systems	Windows 8.1 x64/Windows 10 x64/Windows 11
CPU	Multi-core processor (Intel Core i7 8th generation or later recommended)
Memory capacity	2 GB or more (16GB or more recommended)
Storage (free space during installation)	HDD 32 GB or more (SSD recommended)
Display resolution	1024 x 768 or higher
Communication interface	High Speed USB Ethernet 1000Base-T

Mac

Operating systems	Universal binary (64-Bit Intel and ARM) supported for macOS 10.12 and late
CPU	Multi-core processor (Intel Core i7 8th generation or later recommended)
Memory capacity	2 GB or more (16GB or more recommended)
Storage (free space during installation)	HDD 32 GB or more (SSD recommended)
Display resolution	1024 x 768 or higher
Communication interface	High Speed USB Ethernet 1000Base-T

Garment Creator Easy Print System (Windows Only)

Operating systems	Windows 8.1 x64/Windows 10 x64/Windows 11
CPU	Multi-core processor (Intel Core i7 8th generation or later recommended)
Memory capacity	2 GB or more (16GB or more recommended)
Storage (free space during installation)	HDD 32 GB or more (SSD recommended)

Appendix

Display resolution	1024 x 768 or higher
Communication interface	High Speed USB Ethernet 1000Base-T

Web Config

The following is a list of supported browsers. Make sure you are using the latest version.

Internet Explorer 11, Microsoft Edge, Firefox, Chrome, Safari

Appendix

Specifications Table


Printer Specifications	
Printing method	On-demand ink jet
Nozzle configuration	
White ink mode	White: 400 nozzles × 4 rows Color: 400 nozzles × 4 colors (Black, Cyan, Magenta, Yellow)
Color ink mode	Color: 400 nozzles × 4 colors (Black, Cyan, Magenta, Yellow)
High speed color mode	Color: 400 nozzles × 2 rows × 4 colors (Black, Cyan, Magenta, Yellow)
Resolution (maximum)	1200 × 1200 dpi
Control code	ESC/P raster (undisclosed command)
Platen feed method	Conveyor belt
Built-in memory	1 GB
Interface	
USB	Hi-Speed USB × 2 (rear: 1 for computer connection, front: 1 for USB memory)
Ethernet*1 standards	IEEE802.3i (10BASE-T) IEEE802.3u (100BASE-TX) IEEE802.3ab (1000BASE-T) IEEE 802.3az (Energy-saving model. Requires a connection device that supports IEEE802.3az.)
Rated voltage	AC100-240 V
Rated frequency	50/60 Hz
Rated current	3.4-1.6A
Power consumption	
While printing	Approximately 46 W
Ready mode	Approximately 30 W
Sleep mode	Approximately 7 W
Power off	Approximately 0.3 W

Printer Specifications	
Temperature	Recommended: 15 to 25°C (59 to 77°F) Operating: 10 to 35°C (50 to 95°F) Storage (before unpacking): -20 to 40 °C (-4 to 104 °F) (within 120 hours at 60 °C /140 °F, within one month at 40 °C /104°F) Storage (after unpacking): -20 to 40 °C (-4 to 104 °F) (within one month at 40 °C /104°F)
Humidity (without condensation)	Recommended: 40 to 60% Operating: 20 to 80% Storage: 5 to 85%
<p>Operating temperature/humidity</p> <p>Gray area: When in use</p> <p>Diagonal line area: Recommended</p> <p>(%)</p> <p>90 80 70 60 55 50 40 30 20</p> <p>10 15 20 25 27 30 35 40 (°C)</p>	
Dimension (When supplied platen is installed)	(W) 981 × (D) 1448 × (H) 499 mm ([W] 38.6 x [D] 57.0 x [H] 19.6 in.)
Weight (When supplied platen is installed, not including ink supply units)	Approx. 94.5 kg (approx. 208.3 pounds)
Supported Media (T-shirts)	


Appendix


Printer Specifications	
Thickness	27 mm or less (1.06 in. or less)*2
Weight	1.5 kg or less (3.31 pounds or less)
Material*3	<input type="checkbox"/> Fabric with a cotton blend ratio of 100% to 50% (We recommend using a blend ratio of 100%, thick fabric with a high weave density) <input type="checkbox"/> Fabric with a polyester blend ratio of 100% to 50% (We recommend using a blend ratio of 100%)

- *1 Use a shielded twisted pair cable (category 5e or higher).
- *2 The maximum media thickness varies depending on the platen on which the media is loaded. See the following for more details.

 *User's Guide* (Online Manual)
- *3 Apply pre-treatment liquid in advance when printing white ink on cotton T-shirts or when printing on polyester T-shirts.

Note:
 To ensure the colors you want to print, maintain a constant room temperature of 15 to 25 °C (59 to 77 °F).

 **Important:**
 Use this printer at altitudes below 2000 m (6,562 ft.).

 **Warning:**
 This is a class A product. In a domestic environment this product may cause radio interference in which case the user may be required to take adequate measures.

For Users in EU Countries

Information of EU declaration of conformity:

The full text of the EU declaration of conformity of this equipment is available at the following internet address.


<https://www.epson.eu/conformity>

ZICTA Type Approval for Users in Zambia

See the following website to check the information for ZICTA Type Approval.

<https://support.epson.net/zicta/>

Specifications for ink supply unit, and cleaning ink supply unit	
Type	Dedicated ink supply unit
Types of ink	Pigment ink
Expiry date	Time limit printed on the package and ink supply unit (when stored at normal temperature)
Print quality guarantee expiry	1 year (after installed in printer)
Temperature	Operating: 10 to 35 °C (50 to 95 °F) In storage (in package) and after installation in printer: -20 to 40 °C (-4 to 104 °F) (within 4 days at -20 °C /-4 °F, a month at 40 °C /104 °F) Transporting (in package): -20 to 60 °C (-4 to 140 °F) (within 4 days at -20 °C /-4 °F, a month at 40 °C /104 °F, 72 hours at 60 °C /140 °F)
Dimensions	(W) 117 × (D) 360× (H) 30 mm ([W] 4.6 × [D] 14.2 × [H] 1.2 in.)
Capacity	800 ml (27.1 oz)

 **Important:**
 Do not refill the ink.

Pre-treatment liquid specifications	
Expiry date	See the date printed on the package (at normal temperature)

Appendix

Pre-treatment liquid specifications	
Temperature	<p>Cotton pre-treatment liquid</p> <p>Operating: 10 to 35 °C (50 to 95 °F)</p> <p>In storage (in package): -20 to 40 °C (-4 to 104 °F) (within 4 days at -20 °C (-4 °F), a month at 40 °C (104 °F))</p> <p>Transporting (in package): -20 to 60 °C (-4 to 140 °F) (within 4 days at -20 °C (-4 °F), a month at 40 °C (104 °F), 72 hours at 60 °C (140 °F))</p>
	<p>Polyester pre-treatment liquid</p> <p>Operating: 10 to 35 °C (50 to 95 °F)</p> <p>In storage (in package): 0 to 40 °C (32 to 104 °F) (within 4 days at 0 °C (32 °F), a month at 40 °C (104 °F))</p> <p>Transporting (in package): -20 to 60 °C (-4 to 140 °F) (within 4 days at -20 °C (-4 °F), a month at 40 °C (104 °F), 72 hours at 60 °C (140 °F))</p>
Capacity	<p>Cotton pre-treatment liquid</p> <p>20 L (5.29 gallons)</p>
	<p>Polyester pre-treatment liquid</p> <p>18 L (4.75 gallons)</p>
Dimensions	<p>(W) 300 × (D) 300 × (H) 300 mm ([W] 11.8 × [D] 11.8 × [H] 11.8 in.)</p>

Ink cleaner specifications	
Expiry date	See the date printed on the package (at normal temperature)
Temperature	<p>Operating: 10 to 35 °C (50 to 95 °F)</p> <p>In storage (in package): -20 to 40 °C (-4 to 104 °F) (within 4 days at -20 °C (-4 °F), a month at 40 °C (104 °F))</p> <p>Transporting (in package): -20 to 60 °C (-4 to 140 °F) (within 4 days at -20 °C (-4 °F), a month at 40 °C (104 °F), 72 hours at 60 °C (140 °F))</p>
Capacity	150 ml (5.072 ounces)