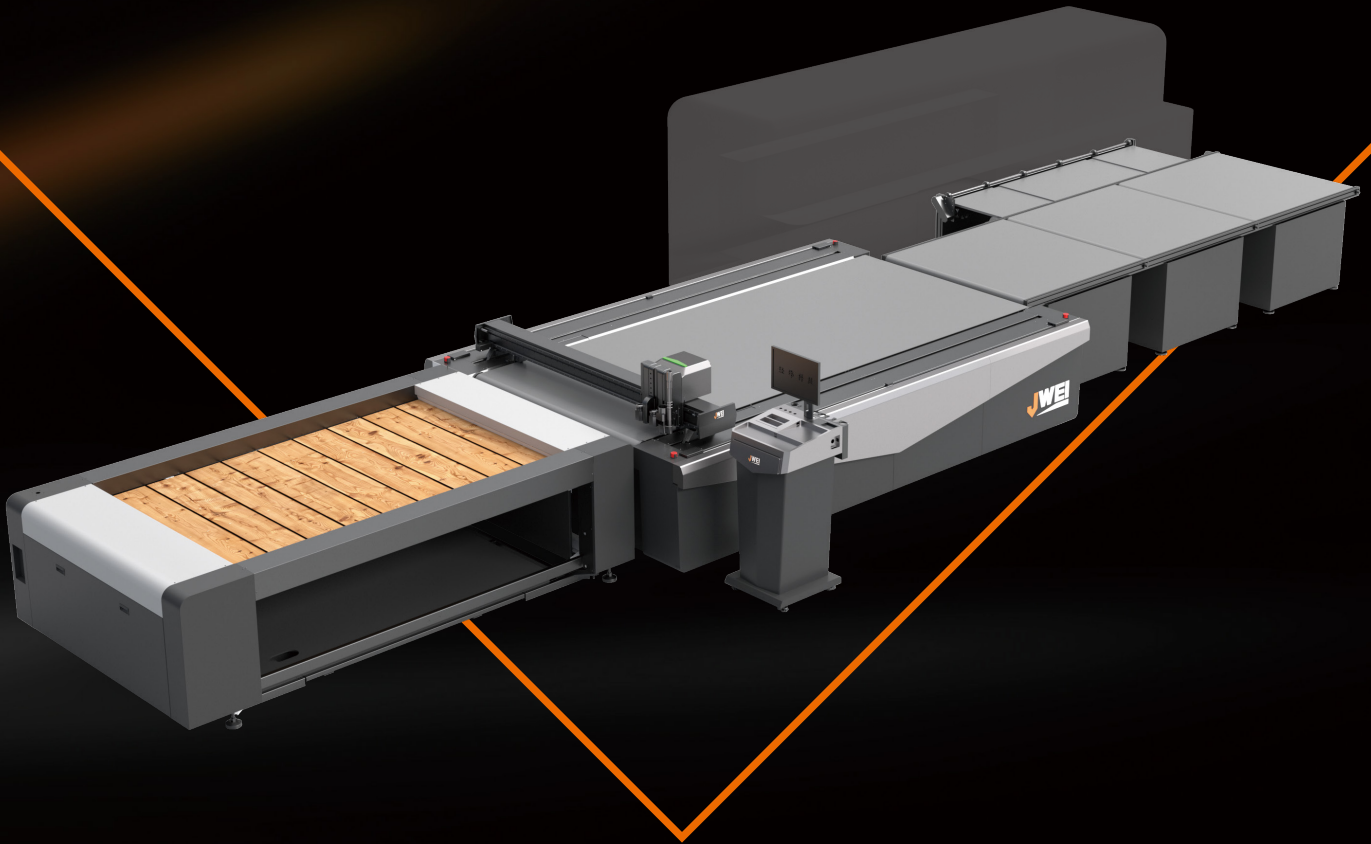


# SL 1632

## Automated Print & Cut Workflow Solution

Designed to seamlessly integrate with any 1.6m wide digital printer to provide a smooth print & cut workflow for sheet materials. This high-speed performance solution ensures continuous productivity thanks to integrated panel feeding and take-up.



Ultra-High Speed  
3m/s



Platform  
Docking



Automatic Material  
Collection

# SL 1632

Our innovation. Your success.

- ◆ **Seamlessly integrates with printing equipment**  
Fully automated, offering material loading and unloading
- ◆ **High speed performance**  
Processing speeds up to 360/day (12 hours)
- ◆ **Integrated Panel Feeding and Collection (optional)**  
Easy access forklift transport for efficient material handling
- ◆ **Uninterrupted continuous workflow**  
Features automatic material information recognition

## Materials



Acrylic board



PVC foam board



Space board



Magnetic sticker



Aluminium-plastic panel

## Tools



Electric Oscillating Tool



Electric Foam Cutting Tool



Electric Rotary Tool



Kiss-cut Tool



Router Tool



Centered/Off-centered Drag Knife



Press Cutting Tool



V-CUT Tool For Honeycomb



V-CUT Tool For Grey Board



V-CUT Tool For Rahmen



V-CUT Tool For Cardboard



Creasing Wheel Tool

## Product Specifications

JWEI reserves the right of final interpretation of the following parameters, subject to change without prior notice.

Model	SL1632
Multi-functional Tool Head	Multi-functional Tool Head Multi-tool fixing holes, quick insert tool fixing, easy-to-replace cutting tools, plug-and-play, set cutting, creasing, drawing, router and other functions in one, optional ATC module.
Tools	Electric oscillating tool, drag knife, rotary tool, router tool module, plotting tools etc.
Max. Operating speed	3000mm/s
Max. Cutting Thickness	50mm *
Repeat Precision	< 0.05mm
Cutting Materials	ABS board, PVC board, space board, aluminium-plastic board, lamp sheet, back glue, PVC foam board, KT board, acrylic, magnetic sticker, self-adhesive, etc
Material Fixation Mode	Vacuum absorption
Software resolution	0.025、0.01、0.1 optional
Transmission Mode	Ethernet port
Drive System	Bus controller, advanced servo system, imported linear guide rail, lead screw, linear motor drive
Instruction system	HP-GL compatible format
Automatic knife setting	Non-contact tool setting mode for drag knife, rotary tool, electric oscillating tool, creasing wheel tool, v-cut tool, etc.
Automatic tool setting accuracy	0.05mm
Rated Power	16kW
Rated Voltage	380V±10%
Machine Weight	2600kg
Effective Cutting Size (WxL)	1600mm×3200mm
Machine Size (WxLxH)	3630mm×4200mm×1672mm (Single size) 3630mm×13165mm×1672mm (Send cut size)

Note: \* Dependent on materials and application

### NINGBO JINGWEI SYSTEMTECHNIK LTD.

Address: No. 1206, Jianlan Road, Yinzhou District, 315040, Ningbo, China

Hotline: +86 574 87913531 87900713 | Email: info@jingwei.com.cn | www.jweicut.com